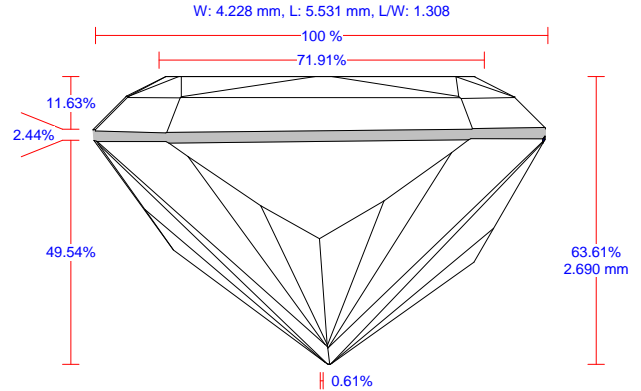


Full report for radiant

General information

Model: Simple
 Expert name: Makoed A.G.
 Report date: 10.06.2009
 Real weight, ct:
 Calculated weight, ct: 0.52, 0.5196
 Spread: 0.05 ct, 8.22 %
 Extra Facet Girdle / Nat: Yes (1)
 Extra Facet Crown: No
 Extra Facet Pavilion: No
 Appraiser title: AGS_2005
 Overall cut quality: N/A
 Symmetry appraiser title: Internal
 Overall symmetry quality: PR



Main parameters

Width	Length	Ratio (L/W)	Corner Ratio	Diameter Minimum	Diameter Maximum	Total height	MIC
4.228 mm	5.531 mm	1.308	1.009	4.228 mm	6.253 mm	2.690 mm	4.219 mm

Parameter		Avg	Min	Max	Dev	Cut	Sym
Diameter	mm		4.228	6.253		N/A	
Diameter: Corner	%	141.27	140.62	141.93	1.30		
Diameter: Corner	mm	5.973	5.946	6.001	0.055		
Radius	%	61.99	49.91	87.79	37.88		
Radius	mm	2.621	2.110	3.712	1.602		
Crown height: Side	%	11.63	11.19	12.20	1.01	N/A	VG
Crown height: Side	mm	0.492	0.473	0.516	0.043		
Crown height: Joint	%	N/A	N/A	N/A	N/A		
Crown height: Joint	mm	N/A	N/A	N/A	N/A		
Pavilion height: Side	%	49.54	49.24	49.86	0.62	N/A	EX
Pavilion height: Side	mm	2.094	2.082	2.108	0.026		
Pavilion height: Joint	%	N/A	N/A	N/A	N/A		
Pavilion height: Joint	mm	N/A	N/A	N/A	N/A		
Total height	%	63.61				N/A	
Table: Side	%	71.91	68.12	75.70	7.58	Grading	PR
Table: Side	mm	3.534	2.880	4.187	1.307		
Table: Corner w.r.t. Corner	%	76.69	76.41	76.97	0.56		
Table: Corner w.r.t. Width	%	108.34	108.23	108.45	0.22		
Table: Corner	mm	4.581	4.576	4.585	0.009		
Culet	%	0.61	0.33	0.82	0.50	0	EX
Culet	mm	0.026	0.014	0.035	0.021		
Girdle thickness: Side	%	2.44	2.17	2.76	0.59		EX
Girdle thickness: Side	mm	0.103	0.092	0.117	0.025		
Girdle thickness: Joint	%	N/A	N/A	N/A	N/A		N/A
Girdle thickness: Joint	mm	N/A	N/A	N/A	N/A		
Girdle facet angle	°	87.85	85.43	89.50	4.06		
Girdle side width	%	100.41	100.03	100.78	0.75		
Girdle side length	%	69.16	67.62	70.69	3.07		
Girdle side corner	%	21.60	20.43	23.44	3.02		
Girdle side width	mm	4.245	4.230	4.261	0.032		
Girdle side length	mm	2.924	2.859	2.989	0.130		
Girdle side corner	mm	0.913	0.864	0.991	0.128		
Girdle internal angle width	°	134.7	132.3	135.7	3.3		
Girdle internal angle length	°	135.3	134.3	137.6	3.3		
Corner angle width	%	15.17	14.05	16.30	2.25		
Corner angle width	mm	0.641	0.594	0.689	0.095		
Corner angle length	%	15.05	13.62	16.66	3.04		
Corner angle length	mm	0.636	0.576	0.704	0.129		
Crown 1 Main Width angle	°	44.98	44.84	45.12	0.28		
Crown 1 Main Width height	%	7.21	7.02	7.40	0.39		
Crown 1 Main Width height	mm	0.305	0.297	0.313	0.016		
Crown 1 Main Length angle	°	44.86	44.32	45.40	1.07		
Crown 1 Main Length height	%	7.39	7.07	7.71	0.63		
Crown 1 Main Length height	mm	0.312	0.299	0.326	0.027		

Parameter		Avg	Min	Max	Dev
Crown 1 Corner angle	°	45.00	44.86	45.18	0.32
Crown 1 Corner height	%	7.26	6.87	7.85	0.98
Crown 1 Corner height	mm	0.307	0.290	0.332	0.041
Crown 2 Main Width angle	°	27.13	27.12	27.13	0.01
Crown 2 Main Width height	%	4.48	4.36	4.59	0.22
Crown 2 Main Width height	mm	0.189	0.185	0.194	0.009
Crown 2 Main Length angle	°	27.51	27.15	27.88	0.72
Crown 2 Main Length height	%	4.58	4.50	4.66	0.16
Crown 2 Main Length height	mm	0.194	0.190	0.197	0.007
Crown 2 Corner angle	°	27.55	27.17	27.84	0.67
Crown 2 Corner height	%	4.68	4.57	4.82	0.25
Crown 2 Corner height	mm	0.198	0.193	0.204	0.011
Crown Star Width angle	°	20.38	19.26	21.36	2.10
Crown Star Width height	%	4.35	4.22	4.49	0.27
Crown Star Width height	mm	0.184	0.178	0.190	0.012
Crown Star Length angle	°	21.37	20.82	22.58	1.76
Crown Star Length height	%	4.41	4.37	4.45	0.08
Crown Star Length height	mm	0.187	0.185	0.188	0.003
Pavilion 1 Main Width angle	°	57.14	54.32	59.95	5.63
Pavilion 1 Main Width height	%	25.71	24.22	27.20	2.98
Pavilion 1 Main Width height	mm	1.087	1.024	1.150	0.126
Pavilion 1 Main Length angle	°	58.85	58.82	58.87	0.05
Pavilion 1 Main Length height	%	22.58	21.88	23.29	1.41
Pavilion 1 Main Length height	mm	0.955	0.925	0.985	0.059
Pavilion 1 Corner angle	°	35.72	34.79	36.57	1.79
Pavilion 1 Corner height	%	45.58	44.91	46.21	1.30
Pavilion 1 Corner height	mm	1.927	1.899	1.954	0.055
Pavilion 2 Main Width angle	°	N/A	N/A	N/A	N/A
Pavilion 2 Main Width height	%	N/A	N/A	N/A	N/A
Pavilion 2 Main Width height	mm	N/A	N/A	N/A	N/A
Pavilion 2 Main Length angle	°	N/A	N/A	N/A	N/A
Pavilion 2 Main Length height	%	N/A	N/A	N/A	N/A
Pavilion 2 Main Length height	mm	N/A	N/A	N/A	N/A
Pavilion 2 Corner angle	°	N/A	N/A	N/A	N/A
Pavilion 2 Corner height	%	N/A	N/A	N/A	N/A
Pavilion 2 Corner height	mm	N/A	N/A	N/A	N/A
Pavilion Halves Width 1 angle	°	35.66	34.79	36.53	1.73
Pavilion Halves Width 1 height	%	49.11	48.68	49.28	0.60
Pavilion Halves Width 1 height	mm	2.076	2.058	2.084	0.025
Pavilion Halves Width 2 angle	°	37.02	36.83	37.24	0.41
Pavilion Halves Width 2 height	%	48.53	48.23	48.80	0.57
Pavilion Halves Width 2 height	mm	2.052	2.039	2.063	0.024
Pavilion Halves Width 3 angle	°	37.27	36.96	37.60	0.64
Pavilion Halves Width 3 height	%	32.02	30.08	33.84	3.76
Pavilion Halves Width 3 height	mm	1.354	1.272	1.431	0.159
Pavilion Halves Length 1 angle	°	35.29	34.43	36.19	1.76
Pavilion Halves Length 1 height	%	42.94	42.02	44.21	2.19
Pavilion Halves Length 1 height	mm	1.816	1.777	1.869	0.093
Pavilion Halves Length 2 angle	°	34.15	33.11	35.56	2.45
Pavilion Halves Length 2 height	%	30.42	28.05	32.02	3.98
Pavilion Halves Length 2 height	mm	1.286	1.186	1.354	0.168
Pavilion Halves Length 3 angle	°	N/A	N/A	N/A	N/A
Pavilion Halves Length 3 height	%	N/A	N/A	N/A	N/A
Pavilion Halves Length 3 height	mm	N/A	N/A	N/A	N/A

Detailed parameters

Parameter		1	2	3	4	5	6	7	8
Diameter: Corner	%	140.62	141.93						
Diameter: Corner	mm	5.946	6.001						
Crown height: Side	%	11.44	11.35	11.97	12.20	11.74	11.70	11.19	11.48
Crown height: Side	mm	0.484	0.480	0.506	0.516	0.496	0.494	0.473	0.486
Crown height: Joint	%	N/A	N/A	N/A	N/A	N/A	N/A	N/A	N/A
Crown height: Joint	mm	N/A	N/A	N/A	N/A	N/A	N/A	N/A	N/A
Pavilion height: Side	%	49.71	49.86	49.28	49.24	49.43	49.30	49.66	49.80
Pavilion height: Side	mm	2.102	2.108	2.084	2.082	2.090	2.084	2.100	2.106
Pavilion height: Joint	%	N/A	N/A	N/A	N/A	N/A	N/A	N/A	N/A
Pavilion height: Joint	mm	N/A	N/A	N/A	N/A	N/A	N/A	N/A	N/A
Table: Side	%	68.12	75.70						
Table: Side	mm	2.880	4.187						
Table: Corner w.r.t. Corner	%	76.97	76.41						
Table: Corner w.r.t. Width	%	108.23	108.45						
Table: Corner	mm	4.576	4.585						
Girdle thickness: Side	%	2.46	2.40	2.36	2.17	2.45	2.62	2.76	2.33
Girdle thickness: Side	mm	0.104	0.101	0.100	0.092	0.104	0.111	0.117	0.098
Girdle thickness: Joint	%	N/A	N/A	N/A	N/A	N/A	N/A	N/A	N/A
Girdle thickness: Joint	mm	N/A	N/A	N/A	N/A	N/A	N/A	N/A	N/A
Girdle facet angle	°	86.92	85.51	89.40	89.20	85.43	88.89	87.91	89.50
Girdle facet azimuth	°	0.0	44.3	89.6	135.2	179.7	224.2	269.9	312.3

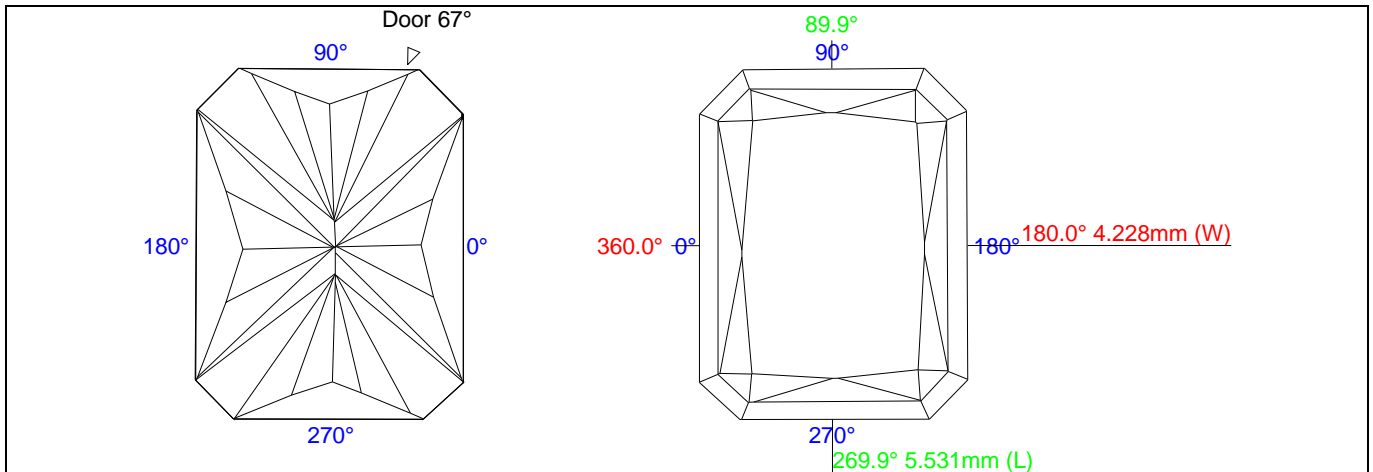
Parameter		1	2	3	4
Girdle side width	%	100.03	100.78		
Girdle side length	%	67.62	70.69		
Girdle side corner	%	23.44	22.08	20.43	20.46
Girdle side width	mm	4.230	4.261		
Girdle side length	mm	2.859	2.989		
Girdle side corner	mm	0.991	0.934	0.864	0.865
Girdle internal angle width	°	135.7	135.4	135.5	132.3
Girdle internal angle length	°	134.8	134.4	134.3	137.6
Girdle internal angle width deviation from average	°	0.9	0.7	0.7	-2.4
Girdle internal angle length deviation from average	°	-0.5	-0.9	-0.9	2.3
Corner angle width	%	16.30	15.39	14.05	14.94
Corner angle width	mm	0.689	0.651	0.594	0.632
Corner angle length	%	16.66	15.52	14.41	13.62
Corner angle length	mm	0.704	0.656	0.609	0.576
Crown 1 Main Width angle	°	44.84	45.12		
Crown 1 Main Width height	%	7.02	7.40		
Crown 1 Main Width height	mm	0.297	0.313		
Crown 1 Main Width azimuth	°	359.9	179.7		
Crown 1 Main Length angle	°	44.32	45.40		
Crown 1 Main Length height	%	7.71	7.07		
Crown 1 Main Length height	mm	0.326	0.299		
Crown 1 Main Length azimuth	°	90.2	269.5		
Crown 1 Corner angle	°	45.18	44.86	44.93	45.04
Crown 1 Corner height	%	6.87	7.85	7.36	6.98
Crown 1 Corner height	mm	0.290	0.332	0.311	0.295
Crown 1 Corner azimuth	°	44.9	134.0	223.2	313.1
Crown 2 Main Width angle	°	27.13	27.12		
Crown 2 Main Width height	%	4.59	4.36		
Crown 2 Main Width height	mm	0.194	0.185		
Crown 2 Main Width azimuth	°	359.9	179.7		
Crown 2 Main Length angle	°	27.88	27.15		
Crown 2 Main Length height	%	4.66	4.50		
Crown 2 Main Length height	mm	0.197	0.190		
Crown 2 Main Length azimuth	°	90.1	269.4		
Crown 2 Corner angle	°	27.17	27.63	27.57	27.84
Crown 2 Corner height	%	4.82	4.69	4.57	4.63
Crown 2 Corner height	mm	0.204	0.198	0.193	0.196
Crown 2 Corner azimuth	°	45.6	133.7	223.4	313.2
Crown Star Width angle	°	19.26	21.36	21.34	19.54
Crown Star Width height	%	4.49	4.33	4.37	4.22
Crown Star Width height	mm	0.190	0.183	0.185	0.178
Crown Star Width azimuth	°	4.8	176.3	183.2	355.0
Crown Star Length angle	°	21.10	20.82	20.99	22.58
Crown Star Length height	%	4.39	4.45	4.37	4.45
Crown Star Length height	mm	0.186	0.188	0.185	0.188
Crown Star Length azimuth	°	83.7	96.6	263.9	273.3

Parameter		1	2	3	4
Pavilion 1 Main Width angle	°	59.95	54.32		
Pavilion 1 Main Width height	%	27.20	24.22		
Pavilion 1 Main Width height	mm	1.150	1.024		
Pavilion 1 Main Width azimuth	°	360.0	179.8		
Pavilion 1 Main Length angle	°	58.87	58.82		
Pavilion 1 Main Length height	%	21.88	23.29		
Pavilion 1 Main Length height	mm	0.925	0.985		
Pavilion 1 Main Length azimuth	°	89.2	270.3		
Pavilion 1 Corner angle	°	36.57	34.79	35.00	36.51
Pavilion 1 Corner height	%	46.21	44.91	45.66	45.56
Pavilion 1 Corner height	mm	1.954	1.899	1.930	1.926
Pavilion 1 Corner azimuth	°	44.5	135.2	222.8	311.8
Pavilion 2 Main Width angle	°	N/A	N/A	N/A	N/A
Pavilion 2 Main Width height	%	N/A	N/A	N/A	N/A
Pavilion 2 Main Width height	mm	N/A	N/A	N/A	N/A
Pavilion 2 Main Width azimuth	°	N/A	N/A	N/A	N/A
Pavilion 2 Main Length angle	°	N/A	N/A	N/A	N/A
Pavilion 2 Main Length height	%	N/A	N/A	N/A	N/A
Pavilion 2 Main Length height	mm	N/A	N/A	N/A	N/A
Pavilion 2 Main Length azimuth	°	N/A	N/A	N/A	N/A
Pavilion 2 Corner angle	°	N/A	N/A	N/A	N/A
Pavilion 2 Corner height	%	N/A	N/A	N/A	N/A
Pavilion 2 Corner height	mm	N/A	N/A	N/A	N/A
Pavilion 2 Corner azimuth	°	N/A	N/A	N/A	N/A
Pavilion Halves Width 1 angle	°	36.53	34.79	34.89	36.41
Pavilion Halves Width 1 height	%	49.21	49.28	49.27	48.68
Pavilion Halves Width 1 height	mm	2.081	2.084	2.083	2.058
Pavilion Halves Width 1 azimuth	°	36.2	146.7	215.3	326.7
Pavilion Halves Width 2 angle	°	36.97	37.24	37.03	36.83
Pavilion Halves Width 2 height	%	48.80	48.56	48.23	48.52
Pavilion Halves Width 2 height	mm	2.063	2.053	2.039	2.051
Pavilion Halves Width 2 azimuth	°	31.7	161.6	199.8	330.3
Pavilion Halves Width 3 angle	°	36.96	37.60	37.37	37.14
Pavilion Halves Width 3 height	%	30.08	33.74	33.84	30.40
Pavilion Halves Width 3 height	mm	1.272	1.426	1.431	1.285
Pavilion Halves Width 3 azimuth	°	20.2	165.3	195.5	341.2
Pavilion Halves Length 1 angle	°	36.05	34.43	34.52	36.19
Pavilion Halves Length 1 height	%	43.23	42.02	44.21	42.31
Pavilion Halves Length 1 height	mm	1.828	1.777	1.869	1.789
Pavilion Halves Length 1 azimuth	°	48.0	132.3	229.5	308.5
Pavilion Halves Length 2 angle	°	34.59	33.11	33.32	35.56
Pavilion Halves Length 2 height	%	32.02	30.66	30.95	28.05
Pavilion Halves Length 2 height	mm	1.354	1.297	1.309	1.186
Pavilion Halves Length 2 azimuth	°	55.0	124.9	238.3	305.6
Pavilion Halves Length 3 angle	°	N/A	N/A	N/A	N/A
Pavilion Halves Length 3 height	%	N/A	N/A	N/A	N/A
Pavilion Halves Length 3 height	mm	N/A	N/A	N/A	N/A
Pavilion Halves Length 3 azimuth	°	N/A	N/A	N/A	N/A

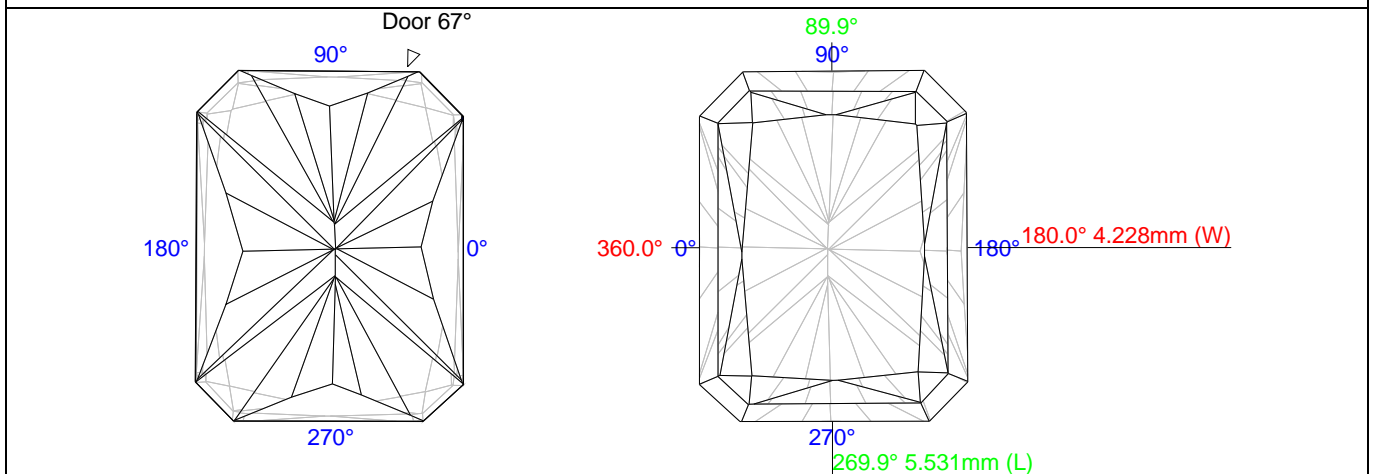
Offset		Distance	Width wise	Length wise
Culet-Table offset by table axis	%	2.29 ± 0.31	2.28	0.21
Culet-Table offset by table axis	mm	0.097 ± 0.013	0.096	0.009
Girdle-Culet offset by table axis	%	1.60 ± 0.29	1.47	0.62
Girdle-Culet offset by table axis	mm	0.068 ± 0.012	0.062	0.026
Girdle-Table offset by table axis	%	0.90 ± 0.26	0.81	0.41
Girdle-Table offset by table axis	mm	0.038 ± 0.011	0.034	0.017
Girdle to table-culet line offset	%	0.57		
Girdle to table-culet line offset	mm	0.024		

Culet shift ratio by width & length	
Width	4.228 mm, 100%
Width-wise culet shift ratio	2.207 mm, 52.21 %
Length-wise culet shift ratio	2.815 mm, 66.57 %
Length	5.531 mm, 100%
Length-wise culet shift ratio	2.721 mm, 49.19 %
	2.815 mm, 50.89 %

Crown and pavilion views of the diamond with indication of Width & Length

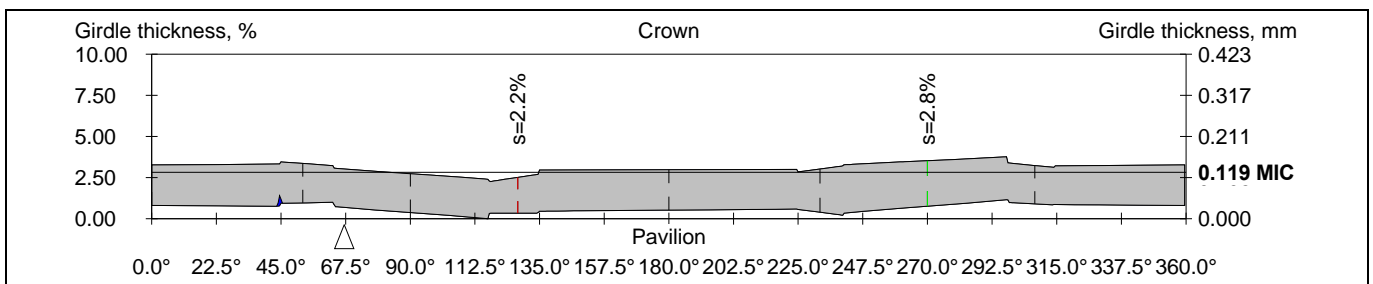


Invisible edges are hidden

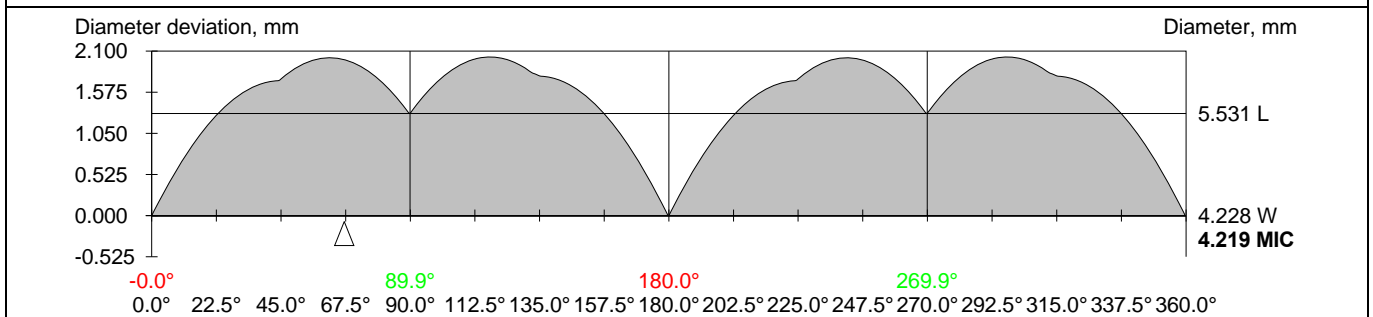


Invisible edges are drawn taking refraction into account

Plots

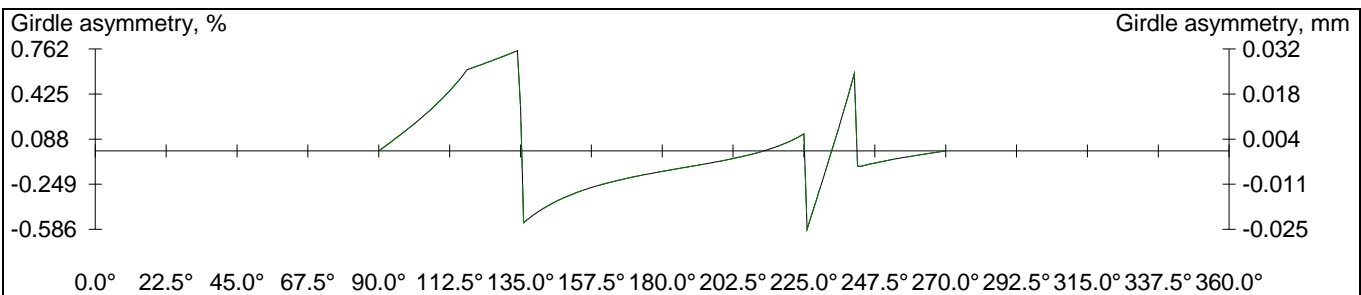
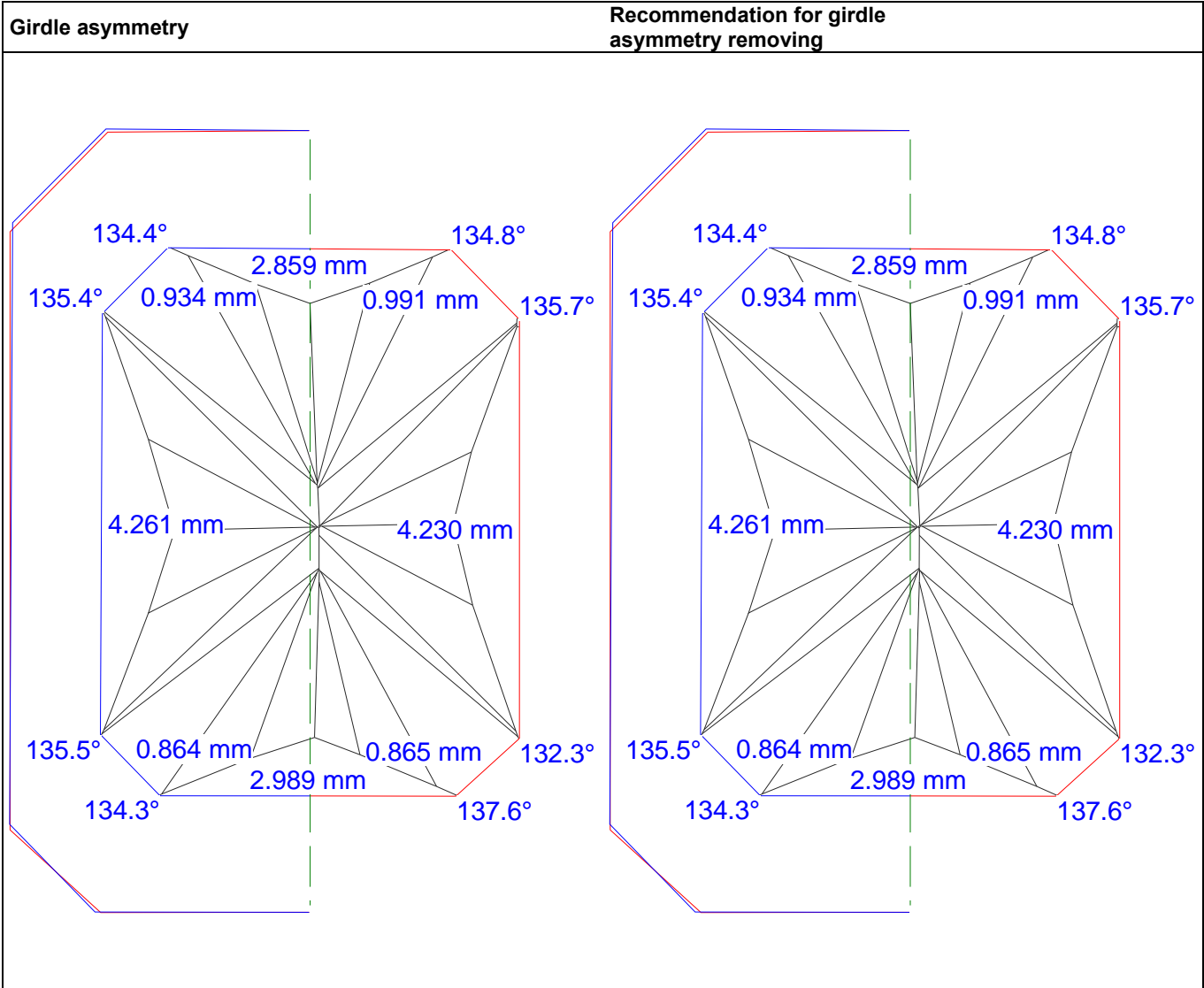


Girdle thickness plot

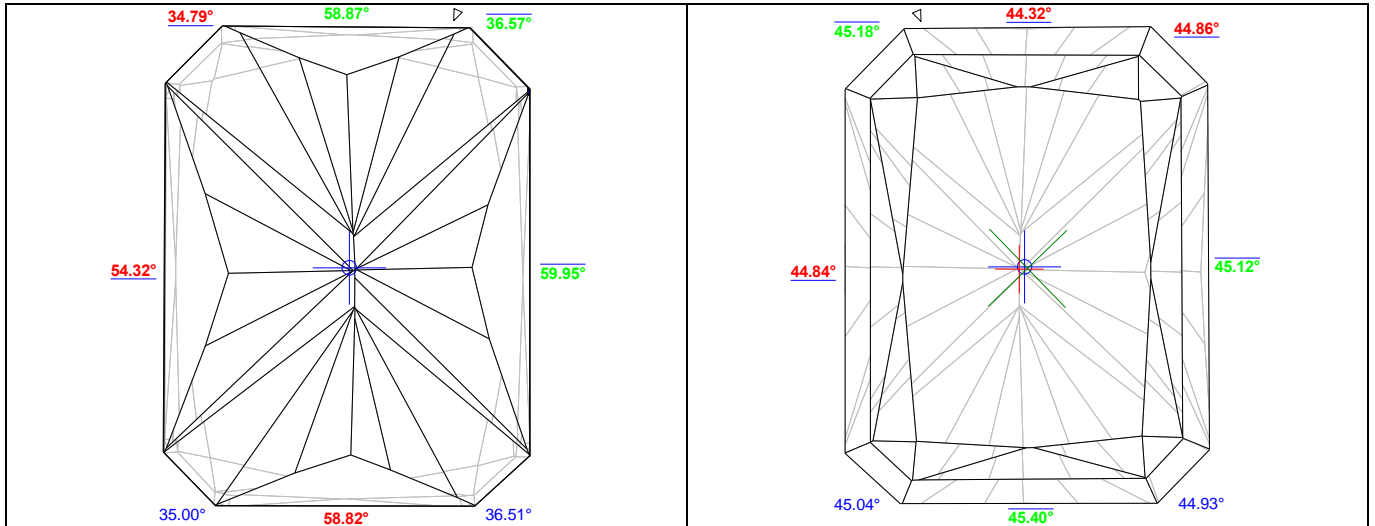


Diameter variation plot

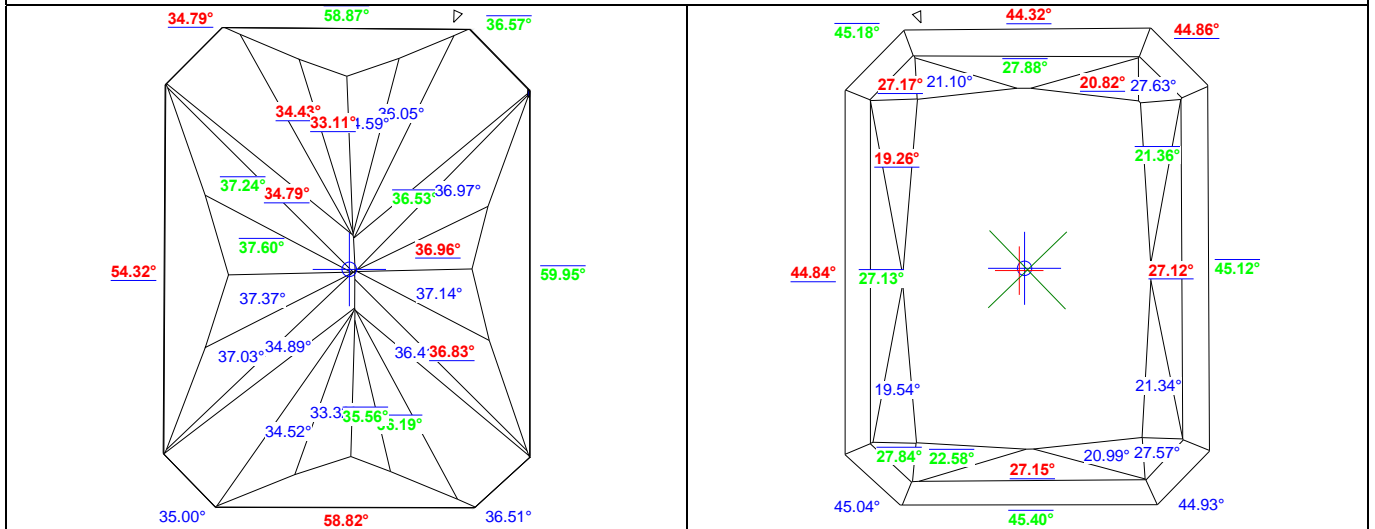
Girdle asymmetry



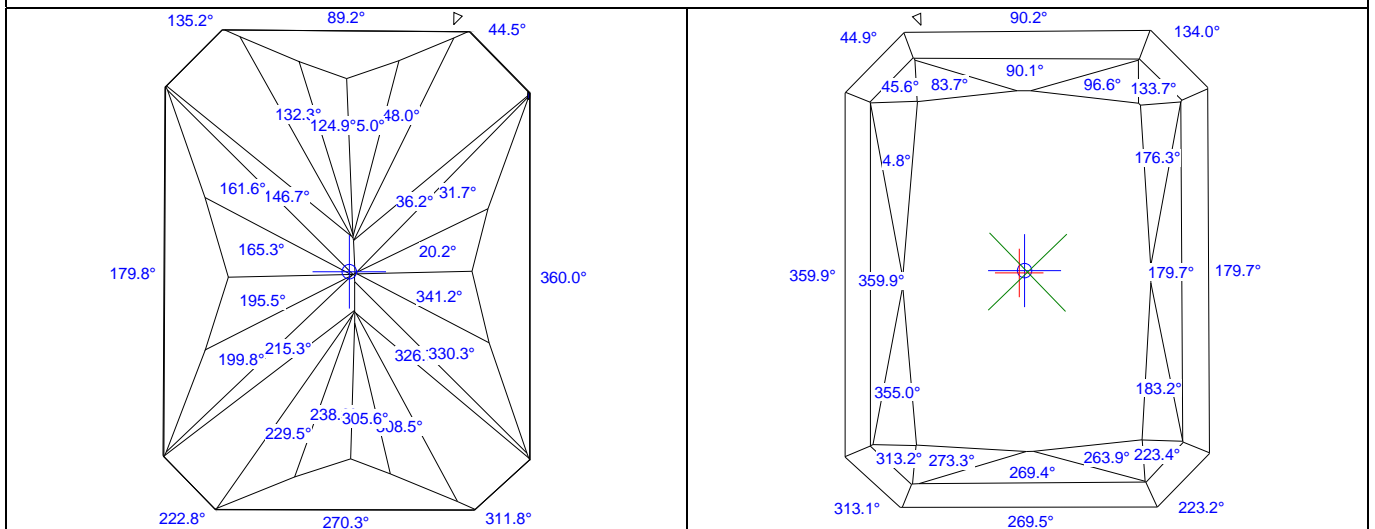
Facets slope and azimuth angles



Pavilion and crown views of the diamond with indication of main facets slope angles
 Invisible edges are drawn taking refraction into account

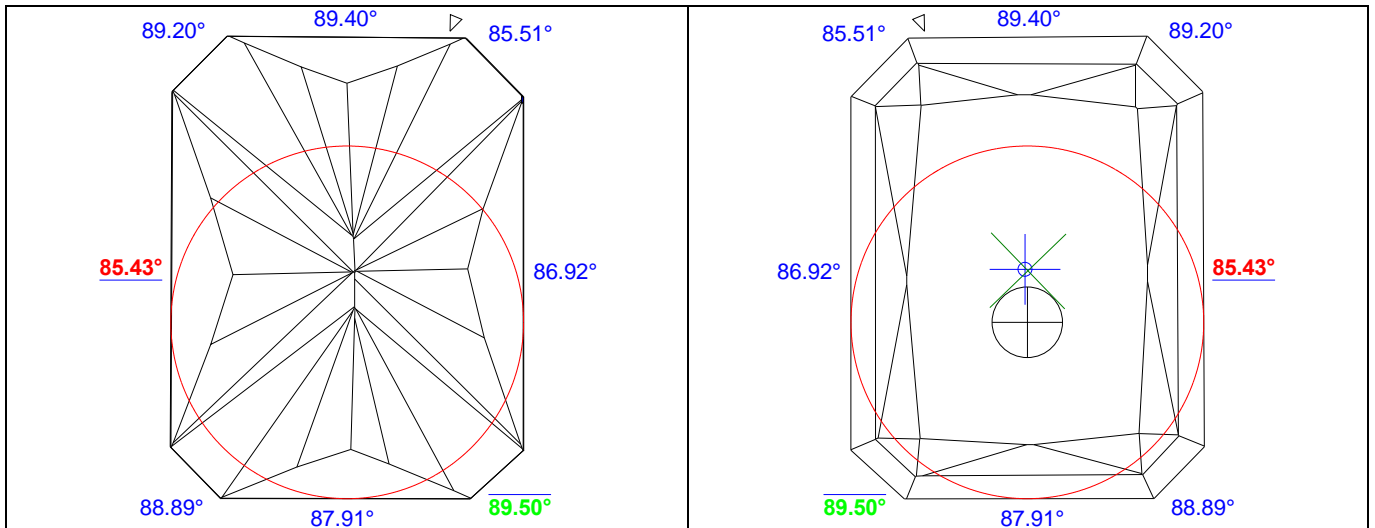


Pavilion and crown views of the diamond with indication of facets slope angles

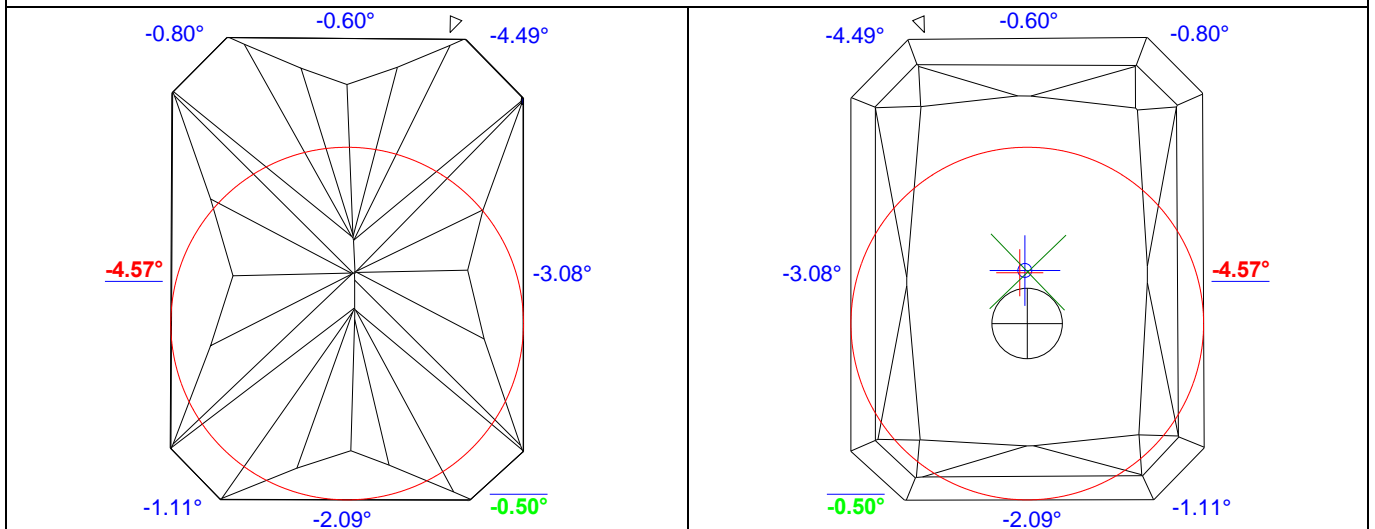


Pavilion and crown views of the diamond with indication of facets azimuth angles

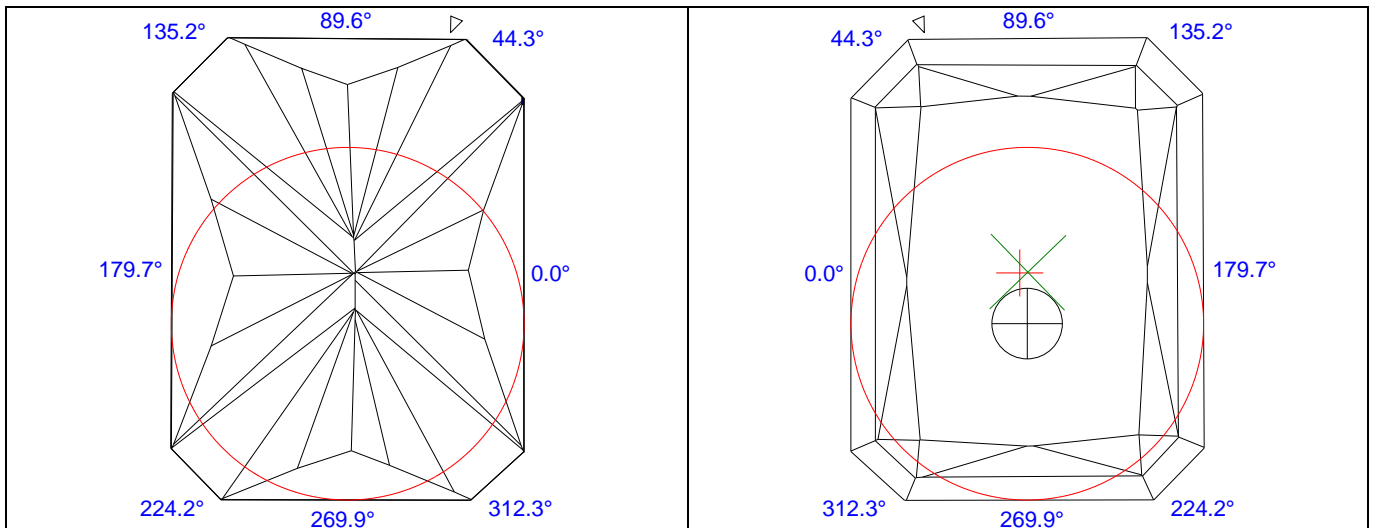
Girdle facets slope and azimuth angles



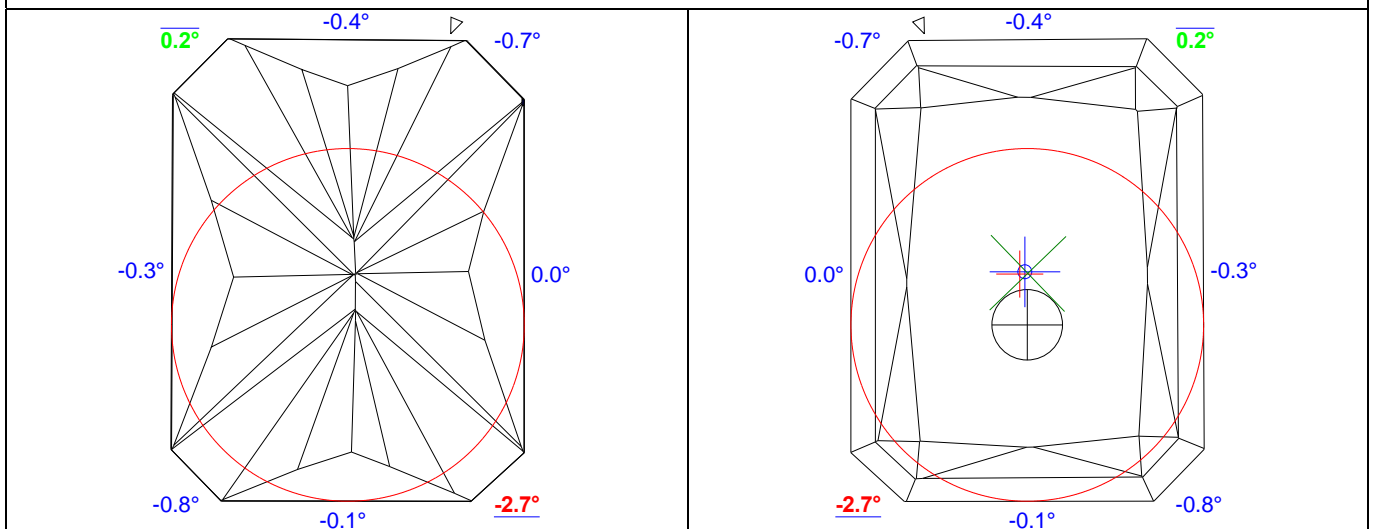
Pavilion and crown views of the diamond with indication of girdle facets slope angles



Pavilion and crown views of the diamond with indication of deviation of girdle facets slope angles from there ideal (90°)

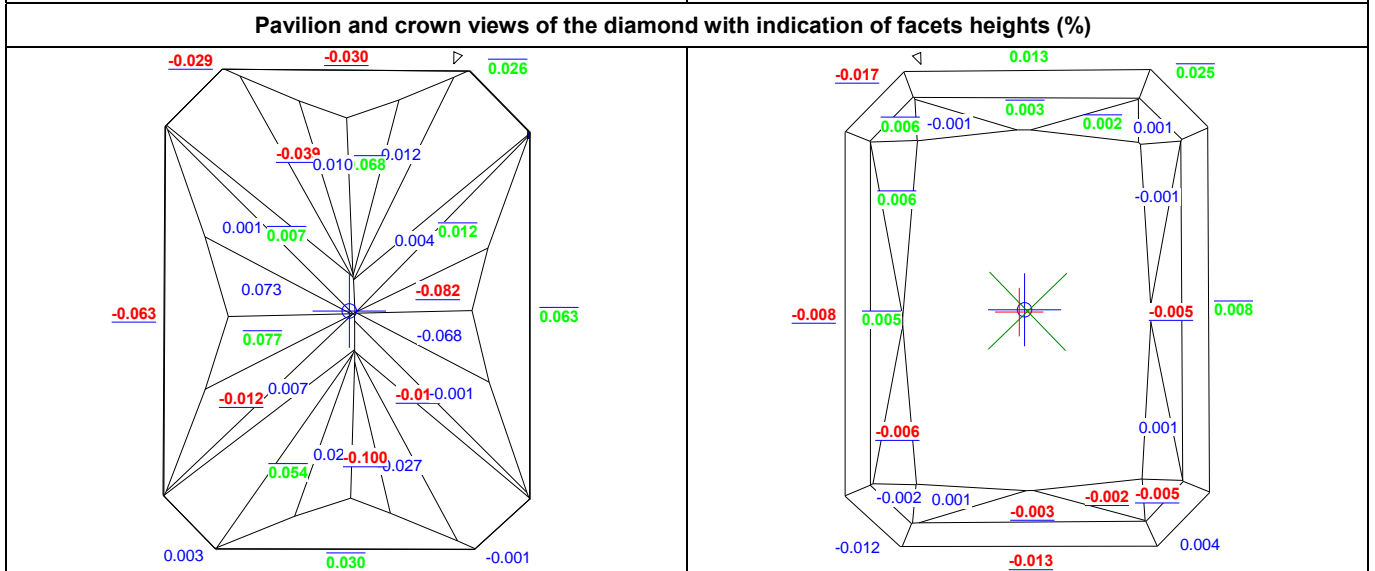
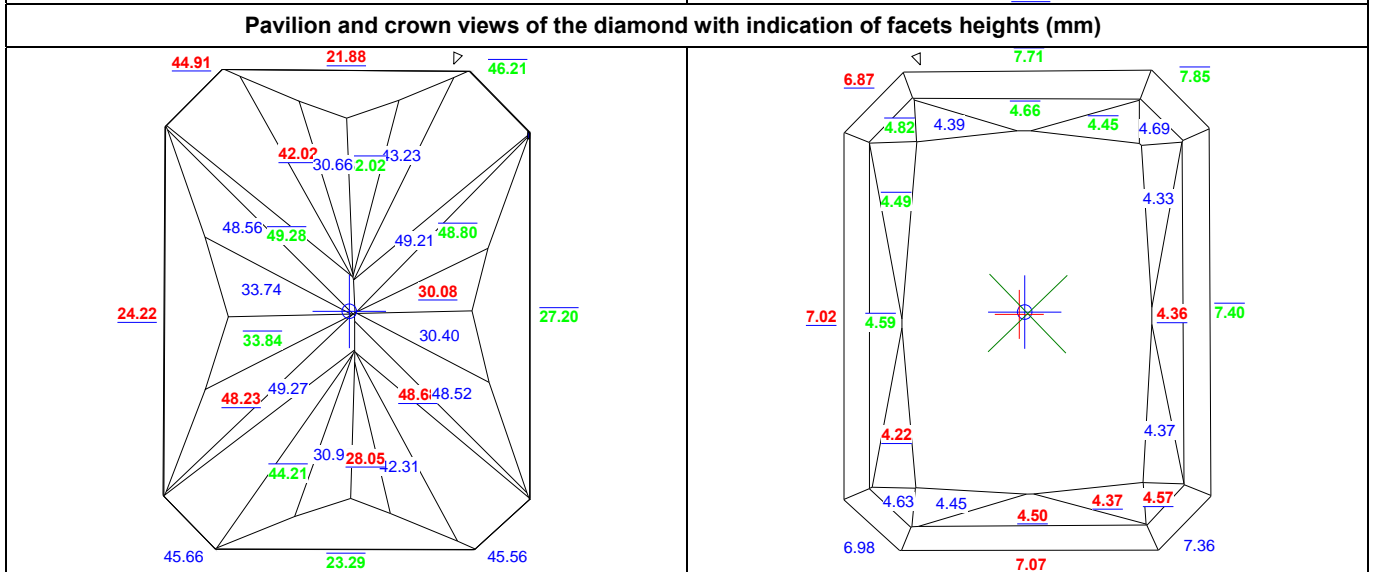
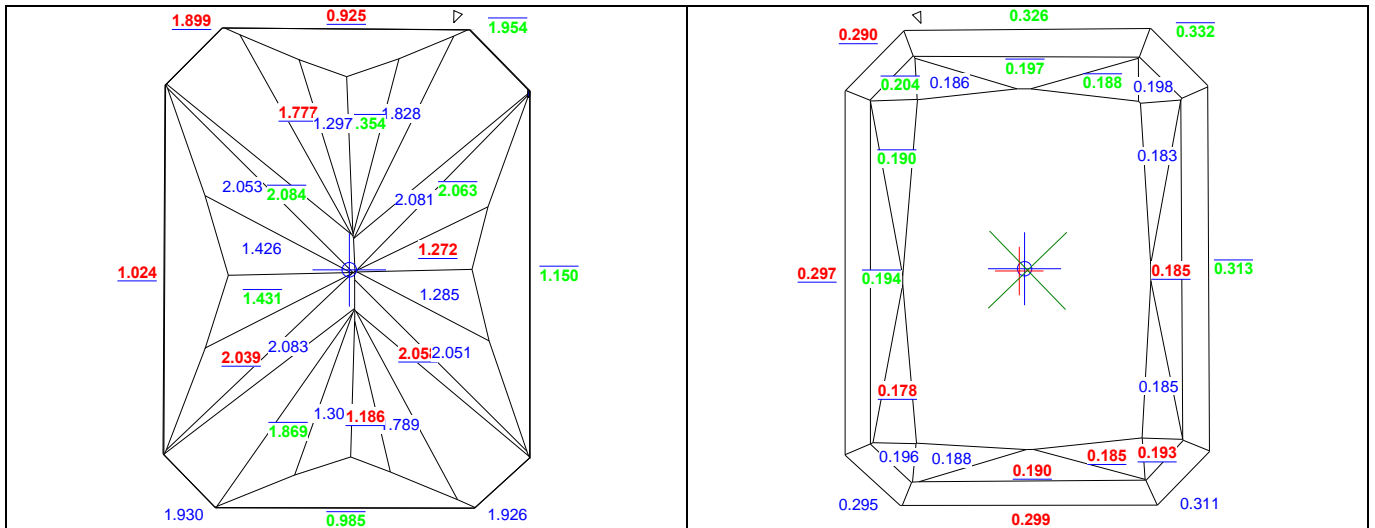


Pavilion and crown views of the diamond with indication of girdle facets azimuth angles

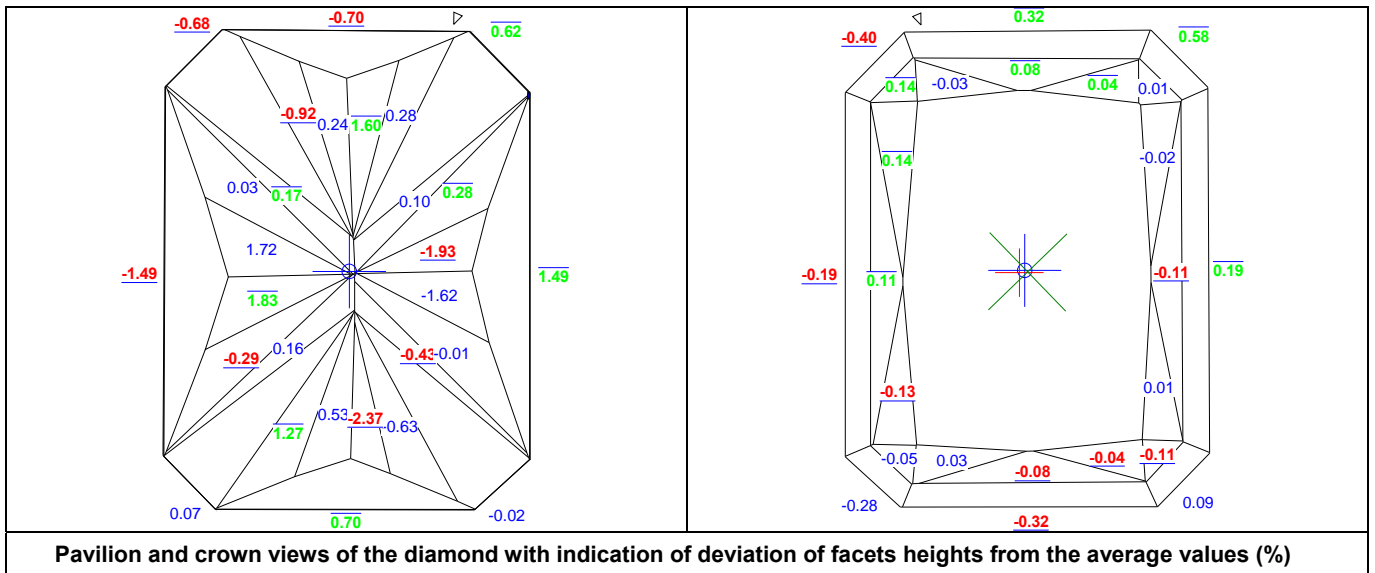


Pavilion and crown views of the diamond with indication of deviation of girdle facets azimuth angles

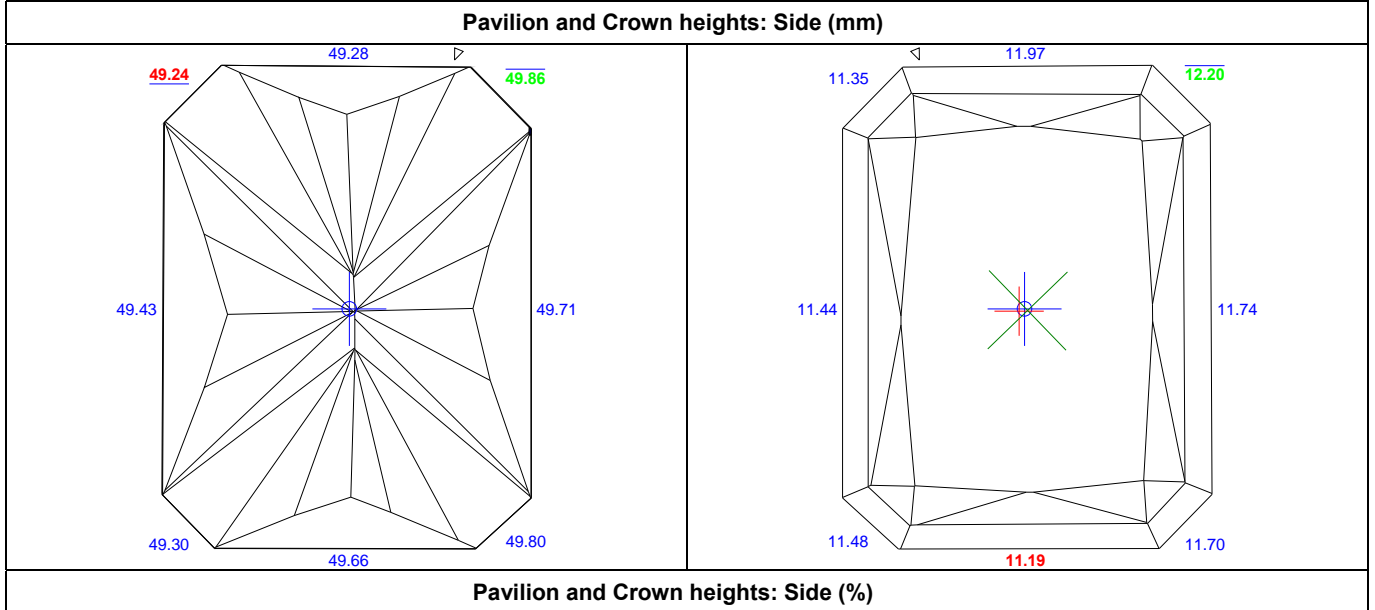
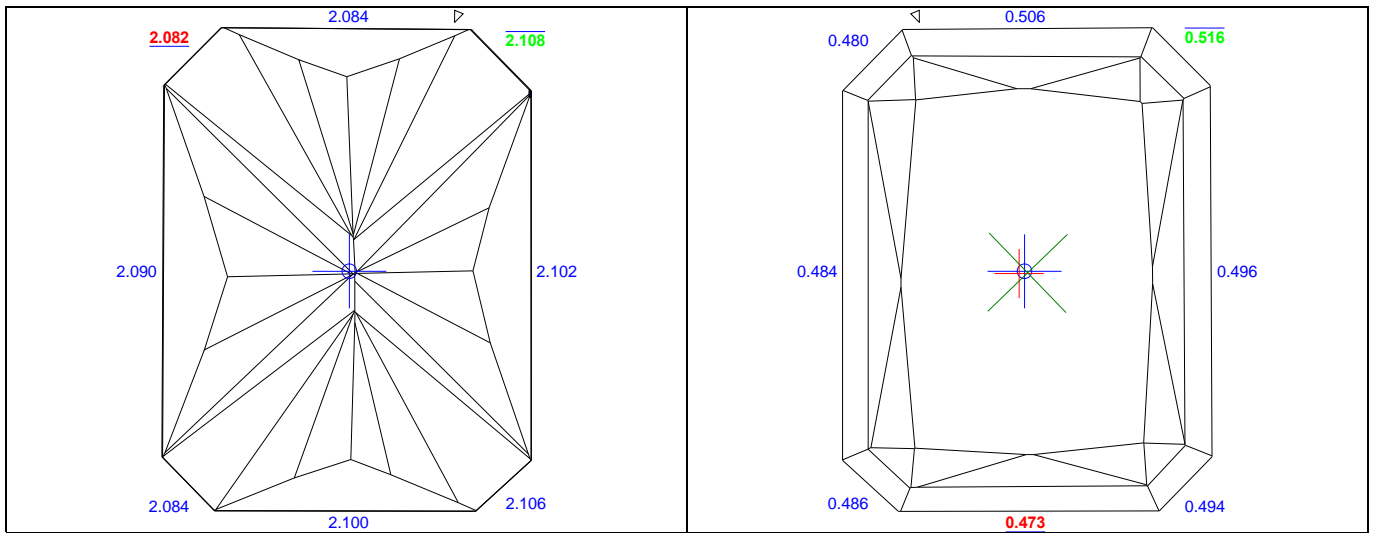
Facets heights

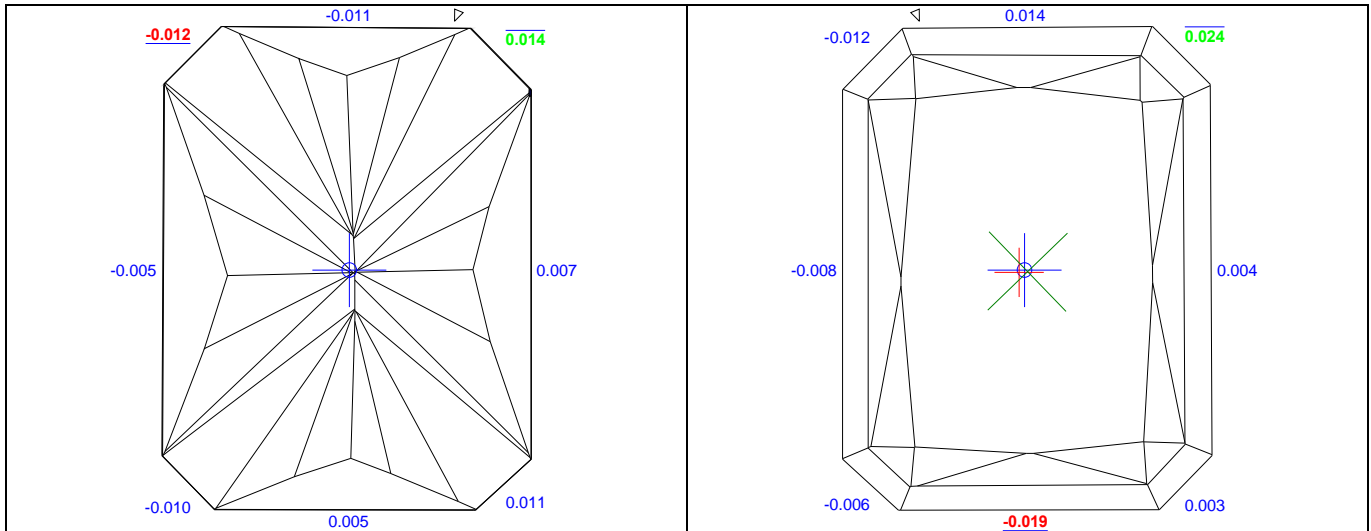


Pavilion and crown views of the diamond with indication of deviation of facets heights from the average values (mm)

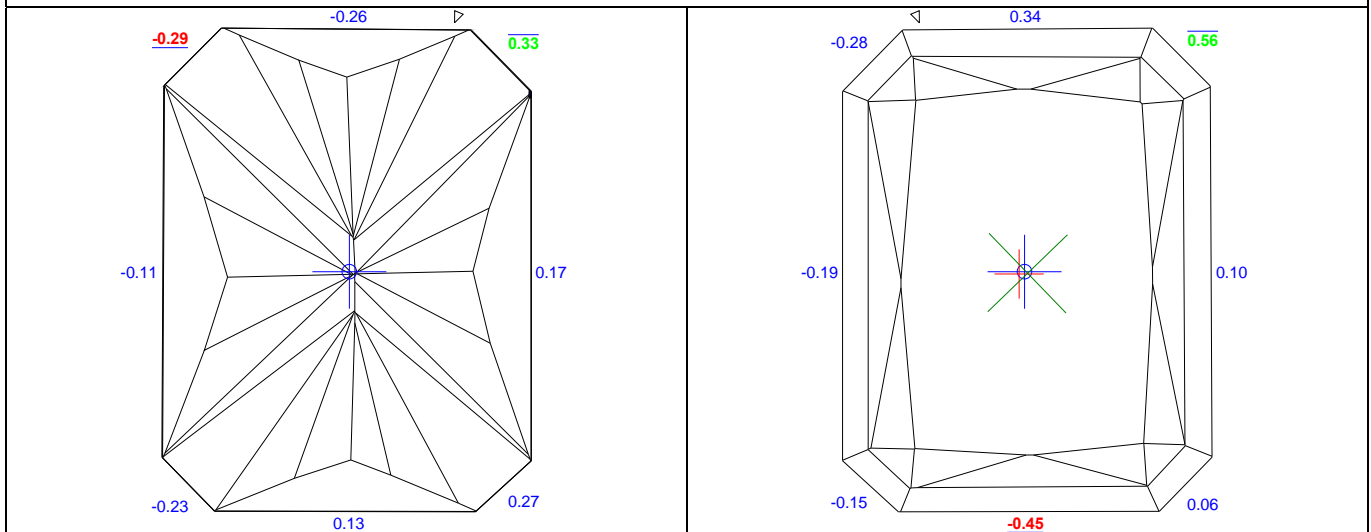


Pavilion and Crown heights: Side



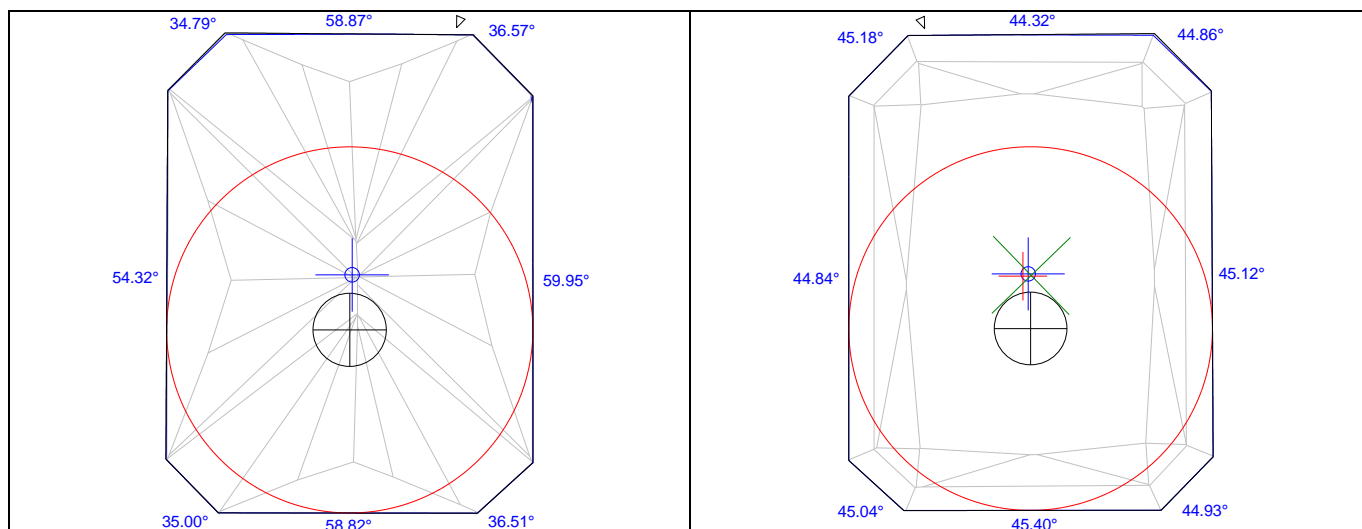


Deviations of Pavilion and Crown heights: Side from the average values (mm)

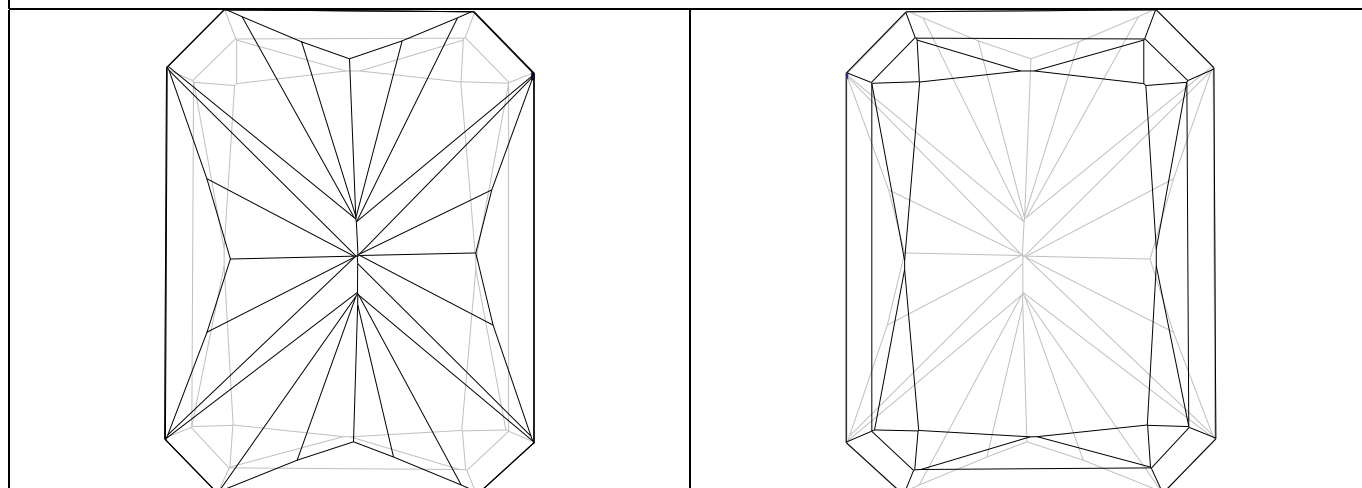


Deviations of Pavilion and Crown heights: Side from the average values (%)

Additional Illustrations



Pavilion and crown views of the diamond with indication of the maximum circle that may be inscribed (MIC) in the girdle outline along with the section of the model in the circle's plane



Pavilion and crown views of the diamond with indication of invisible edges without refraction



Girdle center



Culet center



Table center



MIC center