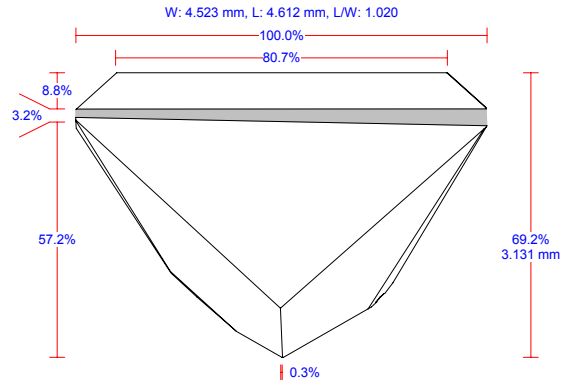


HELIUM FULL REPORT

Semi-polished Princess

General information

Model	Simple
Expert name	Makoed A.G.
Report date	29.11.2006
Real weight, ct	
Calculated weight, ct	0.56, 0.5600
Spread	-0.06 ct, -11.21 %



Main parameters

Parameter		Avg	Min	Max	Dev
Width, length	mm		4.523	4.612	Ratio: 1.020
Corner width	%	142.46	141.61	143.31	1.70
Corner width	mm	6.444	6.406	6.482	0.077
Corner width ratio		1.012			
Crown height: Side	%	8.78	8.39	9.06	0.67
Crown height: Side	mm	0.397	0.379	0.410	0.030
Crown height: Corner	%	8.83	8.55	9.18	0.63
Crown height: Corner	mm	0.399	0.387	0.415	0.029
Pavilion height: Side	%	57.22	56.04	57.79	1.75
Pavilion height: Side	mm	2.588	2.535	2.614	0.079
Pavilion height: Corner	%	57.61	56.31	59.07	2.76
Pavilion height: Corner	mm	2.606	2.547	2.672	0.125
Total height	%	69.21			
Total height	mm	3.131			
Table: Side	%	80.69	80.47	80.92	0.45
Table: Side	mm	3.686	3.640	3.732	0.092
Table: Corner w.r.t. Corner	%	80.72	80.42	81.02	0.60
Table: Corner w.r.t. Width	%	114.99	114.74	115.25	0.52
Table: Corner	mm	5.202	5.190	5.213	0.023
Culet	%	0.34	0.24	0.39	0.15
Culet	mm	0.016	0.011	0.018	0.007
Girdle thickness: Side	%	3.21	2.64	4.11	1.47
Girdle thickness: Side	mm	0.145	0.119	0.186	0.067
Girdle thickness: Corner	%	2.77	1.59	4.15	2.56
Girdle thickness: Corner	mm	0.126	0.072	0.188	0.116

Detailed parameters

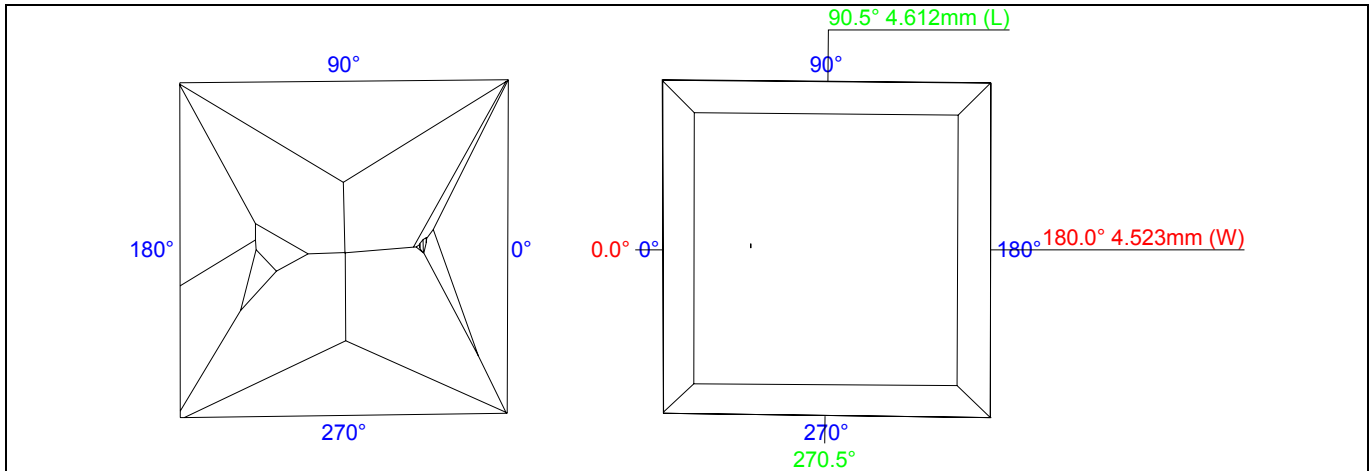
Parameter		1	2	3	4
Corner width	%	143.31	141.61		
Corner width	mm	6.482	6.406		
Crown height: Side	%	8.39	8.80	9.06	8.86
Crown height: Side	mm	0.379	0.398	0.410	0.401
Crown height: Corner	%	8.75	8.83	9.18	8.55
Crown height: Corner	mm	0.396	0.399	0.415	0.387
Pavilion height: Side	%	57.79	57.35	56.04	57.71
Pavilion height: Side	mm	2.614	2.594	2.535	2.611
Pavilion height: Corner	%	56.31	58.35	56.71	59.07
Pavilion height: Corner	mm	2.547	2.639	2.565	2.672
Table: Side	%	80.47	80.92		
Table: Side	mm	3.640	3.732		
Table: Corner w.r.t. Corner	%	80.42	81.02		
Table: Corner w.r.t. Width	%	115.25	114.74		
Table: Corner	mm	5.213	5.190		
Girdle thickness: Side	%	3.03	3.06	4.11	2.64
Girdle thickness: Corner	%	4.15	2.04	3.32	1.59
Girdle thickness: Side	mm	0.137	0.139	0.186	0.119
Girdle thickness: Corner	mm	0.188	0.092	0.150	0.072

Offset		Distance	Width wise	Length wise
Culet-Table offset by table axis	%	1.06 ± 0.29	0.09	1.06
Culet-Table offset by table axis	mm	0.048 ± 0.013	0.004	0.048
Girdle-Culet offset by table axis	%	1.21 ± 0.28	0.26	1.19
Girdle-Culet offset by table axis	mm	0.055 ± 0.013	0.012	0.054
Girdle-Table offset by table axis	%	0.22 ± 0.24	0.17	0.13
Girdle-Table offset by table axis	mm	0.010 ± 0.011	0.008	0.006
Girdle to table-culet line offset	%	0.35		
Girdle to table-culet line offset	mm	0.016		

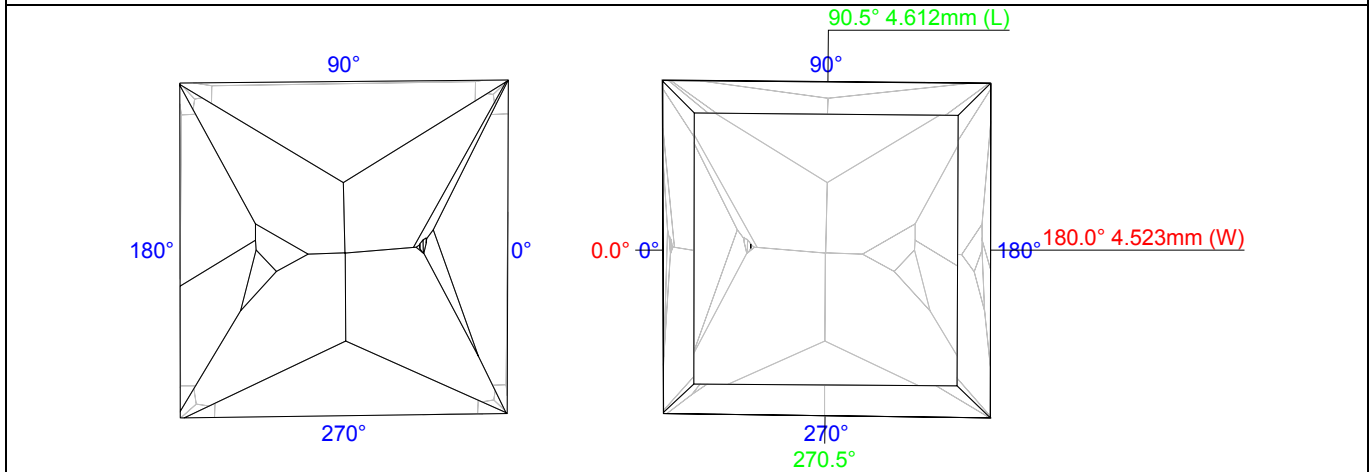
Culet shift ratio by width & length			
Width		4.523 mm, 100%	
Width-wise culet shift ratio		2.277 mm, 50.33 %	2.247 mm, 49.67 %
Length		4.612 mm, 100%	
Length-wise culet shift ratio		2.271 mm, 49.24 %	2.381 mm, 51.62 %

Culet shift ratio by main diameter			
Main diameter (width)		4.523 mm, 100%	
Width-wise culet shift ratio		2.277 mm, 50.33 %	2.247 mm, 49.67 %
Length-wise culet shift ratio		2.271 mm, 50.21 %	2.381 mm, 52.63 %

Crown and pavilion views of the diamond with indication of the diameter minimum and maximum

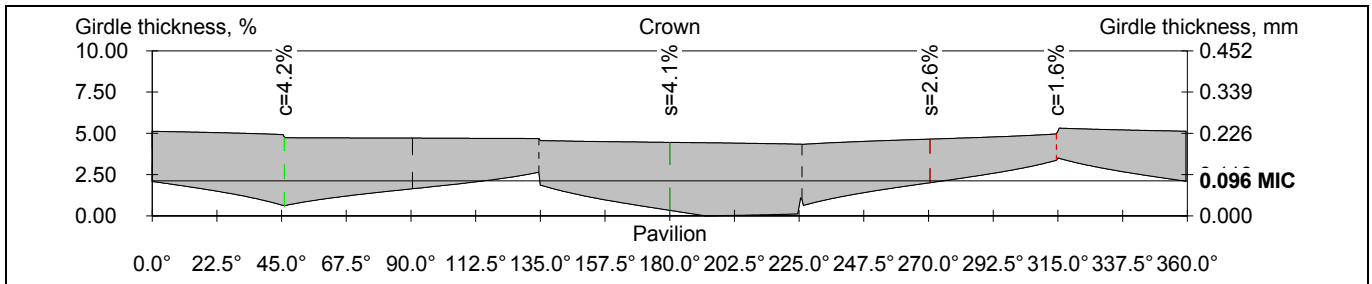


Invisible edges are hidden

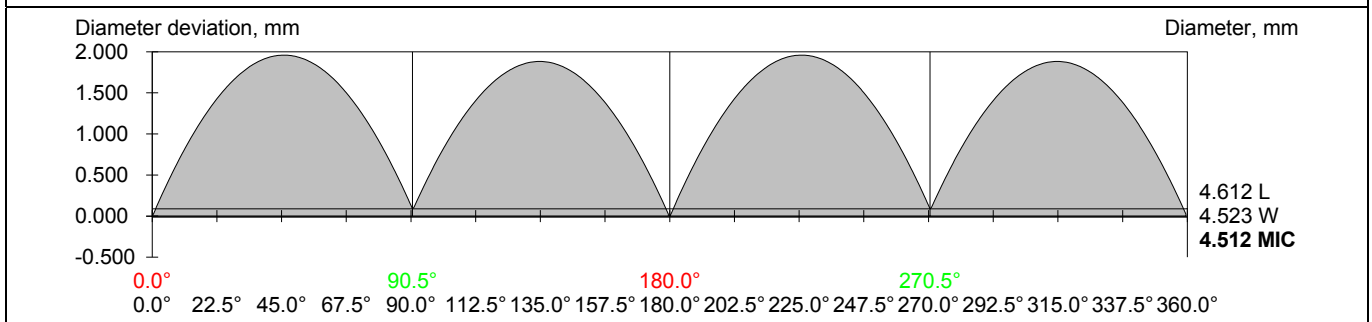


Invisible edges are drawn taking refraction into account

Plots

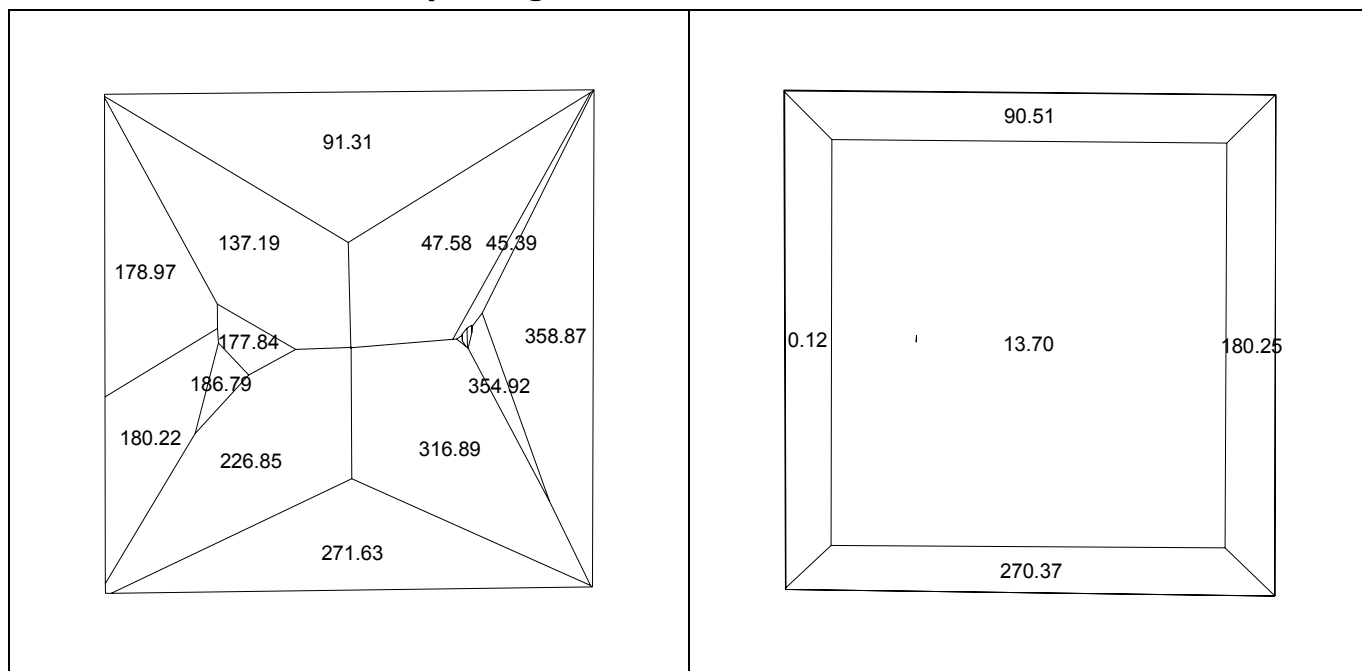


Girdle thickness plot

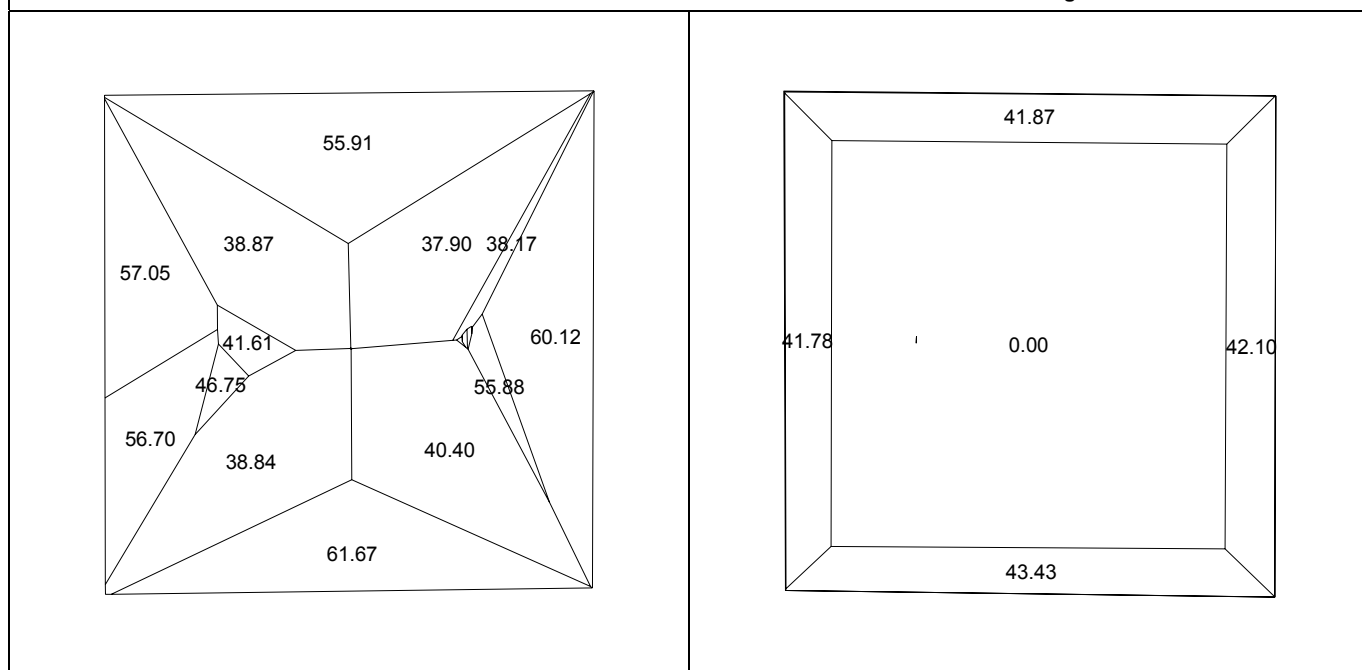


Diameter variation plot

Facets' azimuth and slope angles

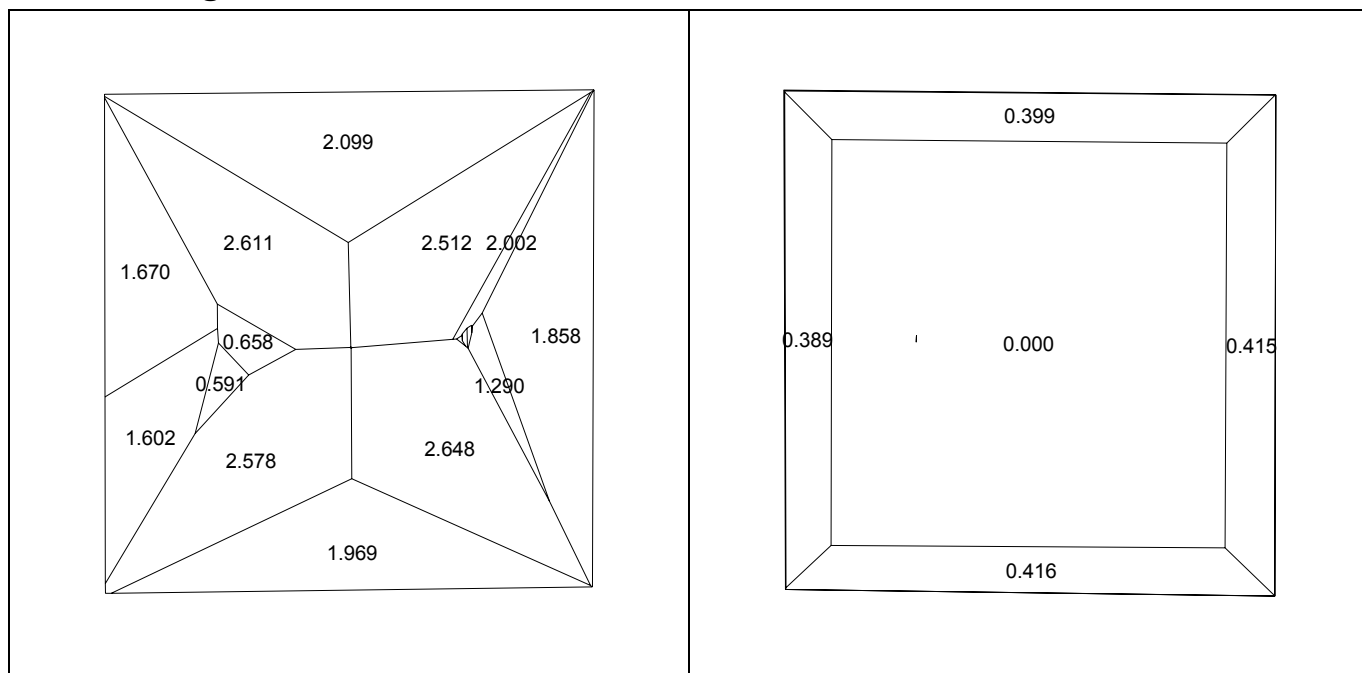


Pavilion and crown views of the diamond with indication of facets' azimuth angles

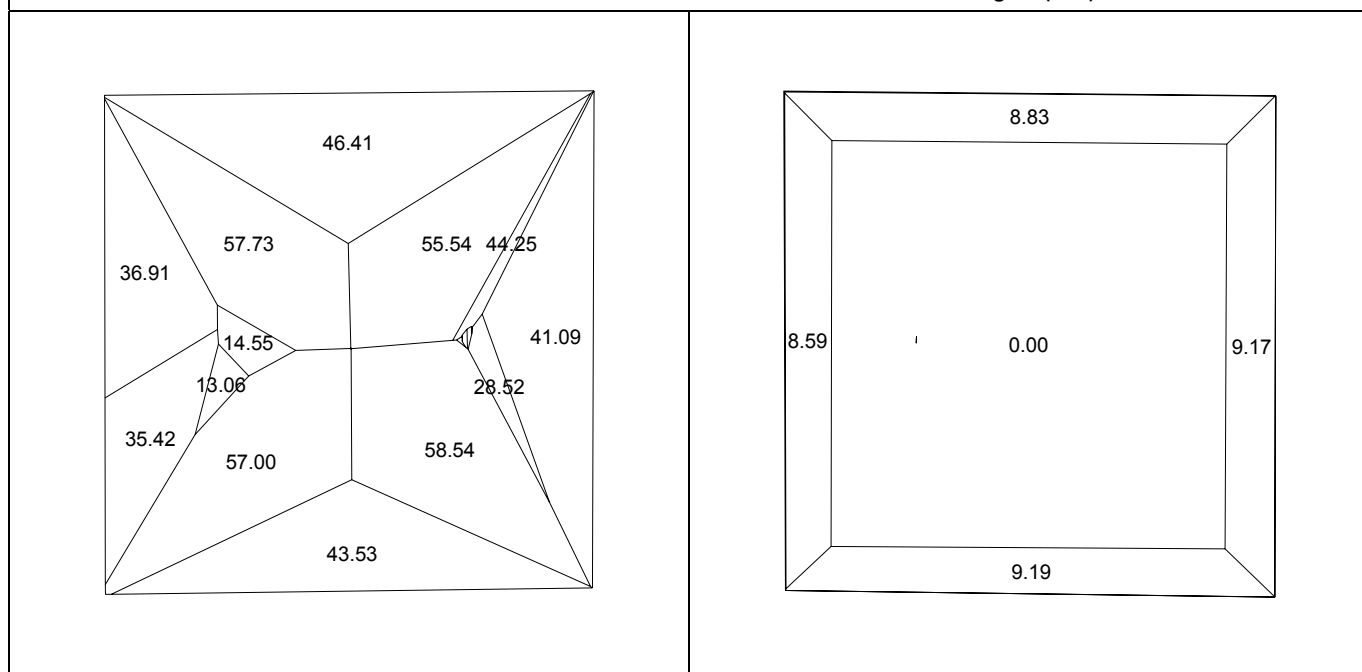


Pavilion and crown views of the diamond with indication of facets' slope angles

Facets' heights

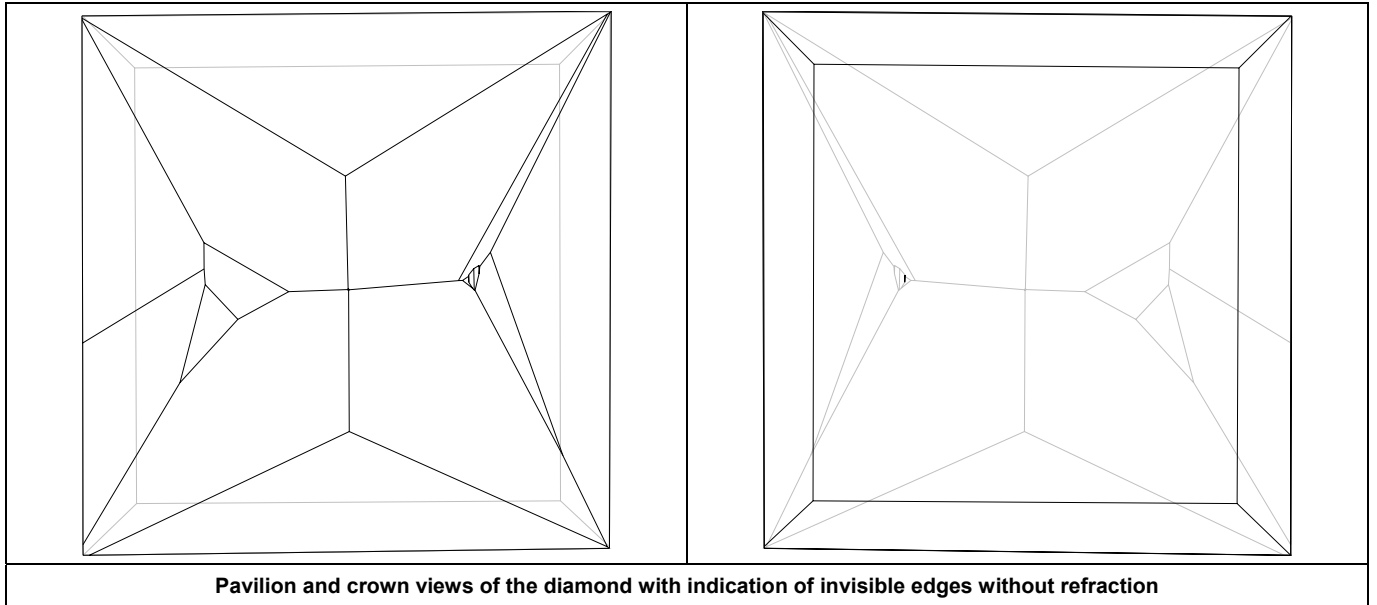





Pavilion and crown views of the diamond with indication of facets' heights (mm)



Pavilion and crown views of the diamond with indication of facets' heights (%)

Additional illustrations



 Girdle center	 Culet center	 Table center
--------------------------------------------------------------------------------------------------------	-------------------------------------------------------------------------------------------------------	---------------------------------------------------------------------------------------------------------