

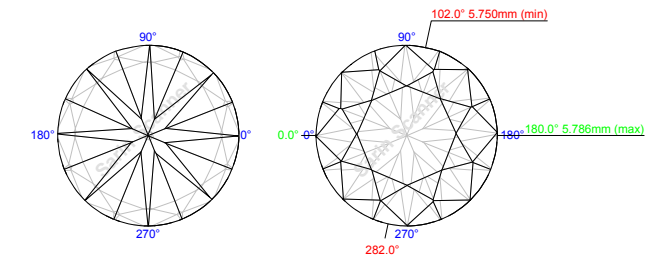
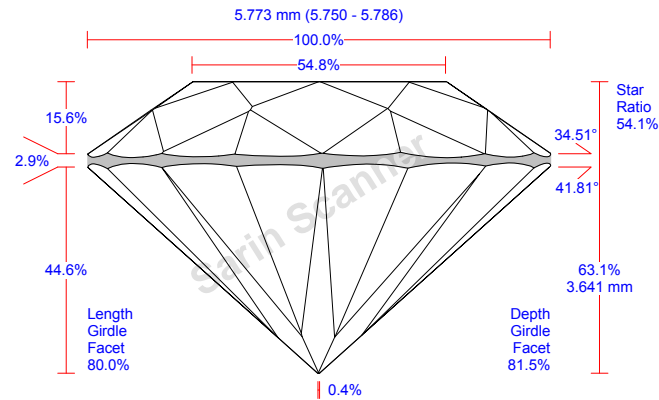
DIAMCALC ILLUSTRATED REPORT

Polished Brilliant

Model: St2 Sarin
 Expert name:
 Report date: 10.12.2007
 Real weight, ct:
 Calculated weight, ct: 0.73, 0.7325
 Measurements, mm: 5.773 (5.750-5.786) x 3.641 /0.006
 Spread: -0.02 ct, -2.45%

Average values, mm

Total height	Crown height	Pavilion depth	Table	Culet	Girdle		
					Bezel	Bone	Valley
3.641	0.899	2.575	3.161	0.021	0.167	0.182	0.080



Appraiser title:
 Overall cut quality:
 Overall symmetry quality:

GIA_PCT_2006
 E
 FR

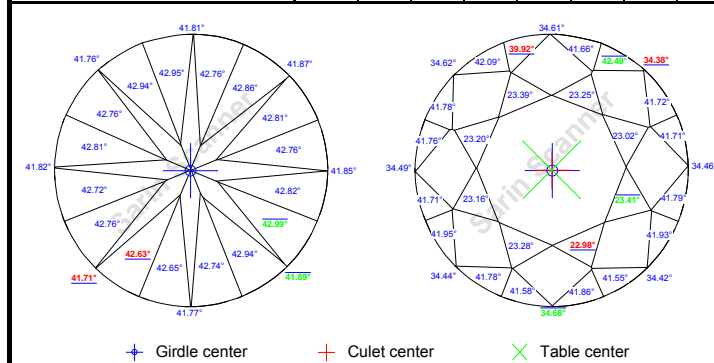
Symmetry	Polish	Color	Clarity	Fluorescence

Parameter	Avg	Min	Max	Dev	Cut	Sym
Diameter, mm	5.773	5.750	5.786	0.62%	N/A	VG
Crown angle, °	34.51	34.38	34.68	0.30	N/A	EX
Pavilion angle, °	41.81	41.71	41.89	0.18	N/A	EX
Total height, %	63.07				N/A	-
Crown height, %	15.58	15.47	15.71	0.24	N/A	EX
Pavilion depth, %	44.60	44.36	44.87	0.51	N/A	EX
Table, %	54.76	54.60	54.99	0.39	N/A	EX
Culet, %	0.36	0.28	0.41	0.13	E	EX
Girdle Bezel, %	2.89	2.65	3.25	0.59	E	EX
Girdle Bone, %	3.15	2.59	3.36	0.78	-	VG
Girdle Valley, %	1.39	1.16	1.81	0.65	N/A	EX
Star: Upper ratio, %	54.09: 45.91	51.03: 48.97	56.82: 43.18	5.79	-	-
Star angle, °	23.21	22.98	23.41	0.44		EX
Upper girdle angle, °	41.71	39.92	42.49	2.57	-	GD
Lower girdle angle / Halves angle, °	42.81	42.63	42.99	0.36	-	EX
Twist, °	0.30	0.02	0.58	0.56	-	EX
Crown height, mm	0.899	0.893	0.907	0.014	-	-
Pavilion depth, mm	2.575	2.561	2.590	0.029	-	-
Table, mm	3.161	3.152	3.175	0.023	-	-
Culet, mm	0.021	0.016	0.024	0.007	-	-
Girdle Bezel, mm	0.167	0.153	0.187	0.034	-	-
Girdle Bone, mm	0.182	0.150	0.194	0.045	-	-
Girdle Valley, mm	0.080	0.067	0.104	0.037	-	-

Measurement as per OctoNus theory:

Crown angle, °	34.51	34.41	34.65	0.24	-	-
Pavilion angle, °	41.81	41.79	41.84	0.05	-	-
Fish eye effect, °			13.62		N/A	-
Culet through Crown Bezel, °			6.85		N/A	-

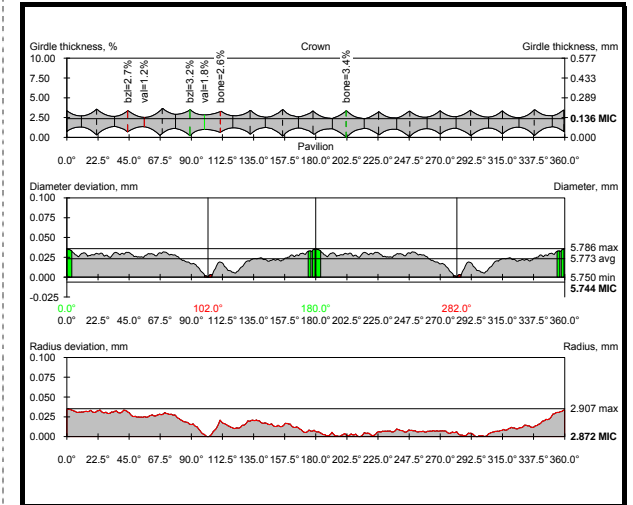
Parameter, °	1	2	3	4	5	6	7	8
Pav. azimuths deviation from ideal	0.00	-0.14	0.42	-1.05	-0.33	-0.23	-0.66	-0.12
Crown azimuths deviation from ideal	0.30	0.05	-0.16	-1.03	-0.59	-0.34	-0.16	0.30
Crown painting	-1.19	0.18	-0.33	-1.90	-0.60	1.31	-0.99	0.29
Pavilion painting	-1.62	-0.41	-1.73	0.68	-0.76	1.88	-1.39	0.18
	-1.58	-1.03	-0.08	-2.00	0.18	-0.64	-0.23	-0.81



	Offset by table axis	
Girdle-Culet	0.18 ± 0.21, %	0.011 ± 0.012, mm
Girdle-Table	0.37 ± 0.19, %	0.021 ± 0.011, mm
Table-Culet	0.19 ± 0.23, %	0.011 ± 0.013, mm

1	2	3	4	5	6	7	8
5.786	5.781	5.766	5.773				
34.49	34.62	34.61	34.38	34.46	34.42	34.68	34.44
41.85	41.87	41.81	41.76	41.82	41.71	41.77	41.89
15.50	15.58	15.47	15.55	15.62	15.71	15.60	15.61
44.87	44.84	44.36	44.57	44.55	44.49	44.56	44.58
54.79	54.60	54.99	54.66				
2.71	2.65	3.25	2.97	2.84	2.87	2.92	2.89
3.23	3.13	2.59	3.32	3.36	3.18	3.18	3.21
1.38	1.25	1.16	1.77	1.81	1.51	1.28	1.41
1.29	1.20	1.41	1.45	1.42	1.34	1.21	1.38
53.08: 46.92	54.36: 45.64	51.03: 48.97	54.22: 45.78	56.82: 43.18	52.73: 47.27	55.05: 44.95	55.40: 44.60
23.20	23.39	23.25	23.02	23.41	22.98	23.28	23.16
41.76	41.78	42.09	39.92	41.66	42.49	41.72	41.71
41.79	41.93	41.55	41.86	41.58	41.78	41.95	41.71
42.76	42.81	42.86	42.76	42.95	42.94	42.76	42.81
42.72	42.76	42.63	42.65	42.74	42.94	42.99	42.82
0.30	0.19	0.58	0.02	0.26	0.12	0.49	0.42
0.895	0.899	0.893	0.897	0.902	0.907	0.900	0.901
2.590	2.589	2.561	2.573	2.572	2.568	2.573	2.574
3.163	3.152	3.175	3.155				
0.156	0.153	0.187	0.171	0.164	0.166	0.169	0.167
0.186	0.181	0.150	0.192	0.194	0.183	0.183	0.185
0.080	0.072	0.067	0.102	0.104	0.087	0.074	0.081
0.074	0.069	0.081	0.084	0.082	0.077	0.070	0.080

34.48	34.52	34.65	34.41				
41.84	41.79	41.79	41.83				
Extra Facet / Nat	No						
Girdle to MIC, mm	0.006						



Paint / Dug	Avg	Max	Type
Crown, °	-0.22	-1.90	
Crown, notches	0.1, Negligible	0.5	
Pavilion, °	-0.59	-2.00	
Pavilion, notches	0.2, Very small	0.5	Painting