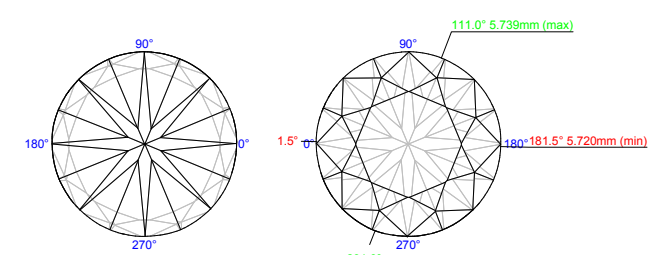
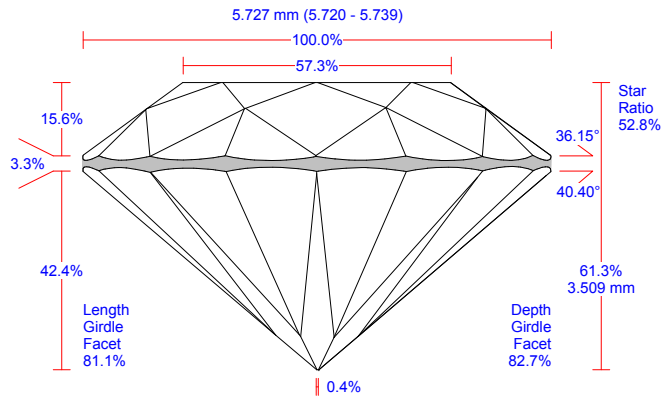


# ILLUSTRATED REPORT FOR BRILLIANT

Polished Brilliant

Model st3  
 Expert name Makoed A.G.  
 Report date 10.12.2007  
 Real weight, ct  
 Calculated weight, ct 0.71, 0.7095  
 Measurements 5.727 (5.720-5.739) x 3.509 /0.018 mm  
 Spread -0.01 ct, -2.03%  
 AGS Spread -0.02 ct, -2.35%

Average values, mm								
Diam	Total height	Crown height	Pav. depth	Table	Culet	Girdle		
						Bezel	Bone	Valley
5.727	3.509	0.895	2.427	3.280	0.023	0.187	0.180	0.086



Appraiser title  
 Overall cut quality  
 Symmetry appraiser title  
 Overall symmetry quality

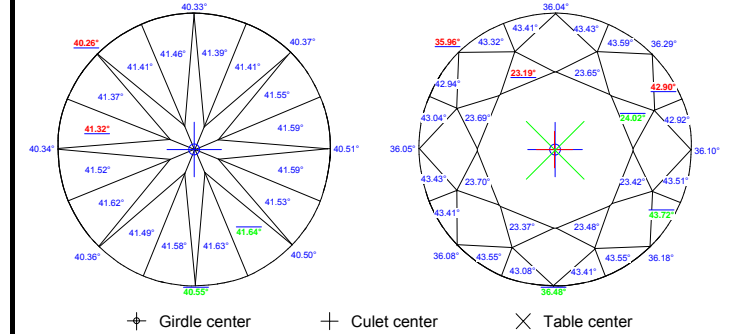
GIA\_PCTG\_StarCul  
 V  
 Internal  
 EX

Color	
Clarity	
Polish	
Fluorescence	

Parameter	Avg	Min	Max	Dev	Cut	Sym
Diameter, mm	5.727	5.720	5.739	0.34%	E	EX
Crown angle, °	36.15	35.96	36.48	0.53	Grading	EX
Pavilion angle, °	40.40	40.26	40.55	0.29	Grading	EX
Total height, %	61.26				E	
Crown height, %	15.62	15.41	15.80	0.39	E	EX
Pavilion depth, %	42.38	42.13	42.63	0.50	N/A	EX
Table, %	57.26	57.13	57.40	0.27	Grading	EX
Culet, %	0.41	0.30	0.50	0.20	E	EX
Girdle Bezel, %	3.26	3.00	3.52	0.51	E	EX
Girdle Bone, %	3.14	2.80	3.35	0.55	E	EX
Girdle Valley, %	1.49	1.28	1.85	0.57	E	EX
Star: Upper ratio, %	52.77: 46.81	52.07: 47.93	53.86: 46.14	1.80	E	EX
Star angle, °	23.57	23.19	24.02	0.83		EX
Upper girdle angle, °	43.32	42.90	43.72	0.82		EX
Length girdle facet, %	81.13	80.18	82.07	1.90	E	EX
Lower girdle angle / Halves angle, °	41.51	41.32	41.64	0.31		EX
Twist, °	0.42	0.02	0.85	0.84		EX
Crown height, mm	0.895	0.883	0.905	0.022	E	EX
Pavilion depth, mm	2.427	2.413	2.441	0.029	N/A	EX
Table, mm	3.280	3.272	3.287	0.015	Grading	EX
Culet, mm	0.023	0.017	0.029	0.012	E	EX
Girdle Bezel, mm	0.187	0.172	0.201	0.029	E	EX
Girdle Bone, mm	0.180	0.160	0.192	0.031		EX
Girdle Valley, mm	0.086	0.073	0.106	0.033	E	EX

Measurement as per OctoNus theory:					
Crown angle, °	36.15	36.07	36.26	0.20	
Pavilion angle, °	40.40	40.36	40.44	0.07	
Fish eye effect, °			6.37		N/A
Culet through Crown Bezel, °			8.34		N/A

Parameter, °	1	2	3	4	5	6	7	8
Pav. azimuths dev. from ideal	0.00	0.29	-0.30	0.36	0.56	0.24	0.44	0.45
Crown azimuths dev. from ideal	0.30	0.15	0.55	0.99	0.31	0.61	0.43	1.23
Crown painting	-0.41	-0.36	0.53	0.29	-0.07	0.12	-1.32	-0.45
Pavilion painting	0.03	0.30	-0.13	-0.85	-1.08	0.32	0.21	-0.11
	0.51	0.71	0.21	-0.26	0.93	0.58	0.64	0.23
	0.43	1.10	0.84	-0.11	0.04	0.61	0.10	-0.14



Offset by table axis			
Girdle-Culet	0.22 ± 0.22, %		0.012 ± 0.013, mm
Girdle-Table	0.25 ± 0.20, %		0.014 ± 0.011, mm
Table-Culet	0.34 ± 0.24, %		0.019 ± 0.014, mm

1	2	3	4	5	6	7	8
5.722	5.731	5.730	5.728				
36.05	35.96	36.04	36.29	36.10	36.18	36.48	36.08
40.51	40.37	40.33	40.26	40.34	40.36	40.55	40.50
15.62	15.80	15.78	15.74	15.56	15.41	15.60	15.43
42.30	42.46	42.34	42.13	42.34	42.34	42.63	42.52
57.13	57.26	57.27	57.40				
3.34	3.00	3.13	3.40	3.37	3.52	3.04	3.32
3.20	3.27	3.35	3.15	2.92	3.16	2.80	3.32
1.39	1.32	1.45	1.60	1.45	1.73	1.55	1.35
1.46	1.50	1.61	1.36	1.28	1.37	1.63	1.85
53.19: 46.81	52.69: 47.31	53.86: 46.14	52.82: 47.18	52.07: 47.93	52.10: 47.90	52.49: 47.51	52.95: 47.05
23.69	23.19	23.65	24.02	23.42	23.48	23.37	23.70
43.04	42.94	43.32	43.41	43.43	43.59	42.90	42.92
43.51	43.72	43.55	43.41	43.08	43.55	43.41	43.43
81.52	81.16	82.07	81.85	81.46	80.50	80.78	80.18
80.75	80.30	81.38	80.81	81.49	81.76	81.29	80.81
41.59	41.55	41.41	41.39	41.46	41.41	41.37	41.32
41.52	41.62	41.49	41.58	41.63	41.64	41.53	41.59
0.30	0.13	0.85	0.63	0.25	0.37	0.02	0.78
0.895	0.905	0.904	0.902	0.891	0.883	0.893	0.884
2.422	2.432	2.425	2.413	2.425	2.425	2.441	2.436
3.272	3.279	3.280	3.287				
0.192	0.172	0.179	0.195	0.193	0.201	0.174	0.190
0.183	0.187	0.192	0.180	0.167	0.181	0.160	0.190
0.080	0.076	0.083	0.091	0.083	0.099	0.089	0.077
0.084	0.086	0.092	0.078	0.073	0.078	0.094	0.106

36.08	36.07	36.26	36.19				
40.42	40.36	40.44	40.38				
Extra Facet / Nat				No			
Girdle to MIC, mm				0.018			

Paint / Dug	Avg	Type	Sym	Dev	Sym
Crown, °	-0.19		EX	-1.32	EX
Crown, notch	0.0, Negligible			0.4	
Pavilion, °	0.40	Digging	EX	1.10	EX
Pavilion, notch	0.1, Very small			0.3	

