

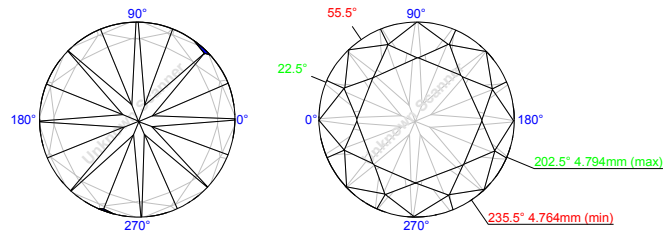
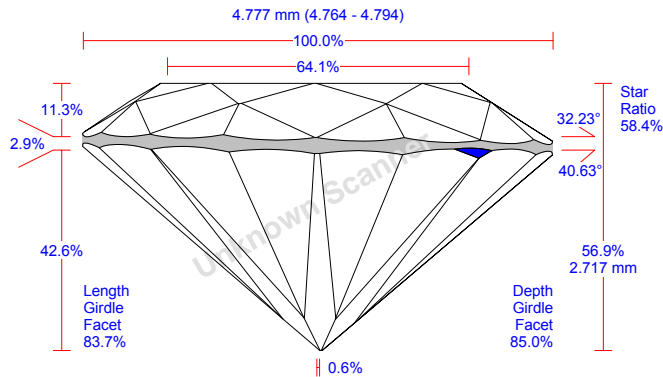
DIAMCALC ILLUSTRATED REPORT

Polished Brilliant

Model
 Expert name
 Report date
 Real weight, ct
 Calculated weight, ct 0.37, 0.3759
 Measurements, mm 4.777 (4.764-4.794) x 2.717 /0.018
 Spread 0.03 ct, 8.38%

Average values, mm

Total height	Crown height	Pavilion depth	Table	Culet	Girdle		
					Bezel	Bone	Valley
2.717	0.542	2.037	3.063	0.027	0.136	0.159	0.075



Appraiser title
 Overall cut quality
 Overall symmetry quality

AGS_2005
 3
 FR

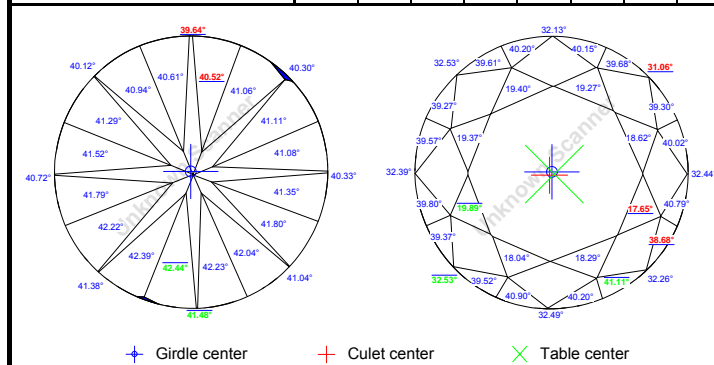
Symmetry	Polish	Color	Clarity	Fluorescence

Parameter	Avg	Min	Max	Dev	Cut	Sym
Diameter, mm	4.777	4.764	4.794	0.62%	N/A	VG
Crown angle, °	32.23	31.06	32.53	1.47	N/A	VG
Pavilion angle, °	40.63	39.64	41.48	1.84	N/A	GD
Total height, %	56.88				N/A	-
Crown height, %	11.35	10.57	12.33	1.76	N/A	GD
Pavilion depth, %	42.64	41.66	43.71	2.05	N/A	GD
Table, %	64.11	63.91	64.23	0.32	N/A	EX
Culet, %	0.56	0.41	0.65	0.24	0	EX
Girdle Bezel, %	2.86	2.40	3.42	1.02	0	GD
Girdle Bone, %	3.33	2.96	3.84	0.88	-	VG
Girdle Valley, %	1.56	1.16	2.05	0.88	0	EX
Star: Upper ratio, %	58.38: 41.62	53.93: 46.07	63.26: 36.74	9.34	-	-
Star angle, °	18.82	17.65	19.89	2.24		GD
Upper girdle angle, °	39.88	38.68	41.11	2.43	-	GD
Lower girdle angle / Halves angle, °	41.52	40.52	42.44	1.92	-	VG
Twist, °	1.29	0.03	3.61	3.58	-	FR
Crown height, mm	0.542	0.505	0.589	0.084	-	-
Pavilion depth, mm	2.037	1.990	2.088	0.098	-	-
Table, mm	3.063	3.053	3.069	0.015	-	-
Culet, mm	0.027	0.020	0.031	0.012	-	-
Girdle Bezel, mm	0.136	0.114	0.163	0.049	-	-
Girdle Bone, mm	0.159	0.141	0.184	0.042	-	-
Girdle Valley, mm	0.075	0.056	0.098	0.042	-	-

Measurement as per OctoNus theory:

Crown angle, °	32.23	31.80	32.41	0.61	-	-
Pavilion angle, °	40.63	40.52	40.84	0.32	-	-
Fish eye effect, °			3.35		N/A	-
Culet through Crown Bezel, °			25.37		N/A	-

Parameter, °	1	2	3	4	5	6	7	8
Pav. azimuths deviation from ideal	0.00	0.46	0.15	1.58	1.30	0.67	0.11	0.03
Crown azimuths deviation from ideal	0.05	0.82	-0.38	-0.42	-2.31	1.24	0.08	3.22
Crown painting	-1.37	-1.47	-2.06	-0.65	-1.03	-1.14	-0.84	-2.94
Pavilion painting	-0.16	-1.65	-1.77	-0.75	0.98	-0.30	0.35	-0.41
	0.10	-0.95	0.64	-0.60	0.16	-0.35	-0.16	0.17

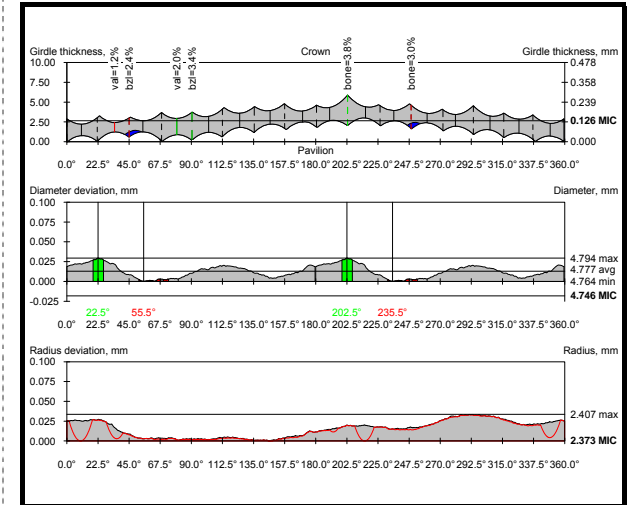


Offset by table axis

Girdle-Culet	1.50 ± 0.25, %	0.072 ± 0.012, mm
Girdle-Table	1.21 ± 0.22, %	0.058 ± 0.011, mm
Table-Culet	1.83 ± 0.26, %	0.087 ± 0.012, mm

1	2	3	4	5	6	7	8
4.783	4.772	4.775	4.775				
32.39	32.53	32.13	31.06	32.44	32.26	32.49	32.53
40.33	40.30	39.64	40.12	40.72	41.38	41.48	41.04
12.33	12.13	11.53	10.83	10.62	10.57	11.14	11.63
41.66	42.25	41.96	42.83	43.48	43.71	43.06	42.18
64.12	64.23	64.18	63.91				
2.88	2.40	3.42	3.22	2.76	2.49	2.63	3.07
2.99	3.59	3.48	3.09	3.84	2.96	3.62	3.07
1.45	1.16	1.40	2.05	1.99	1.78	1.71	1.37
1.66	1.40	1.29	1.19	1.48	1.72	1.75	1.56
54.52: 45.48	58.07: 41.93	60.52: 39.48	58.68: 41.32	63.26: 36.74	60.26: 39.74	57.76: 42.24	53.93: 46.07
19.37	19.40	19.27	18.62	17.65	18.29	18.04	19.89
39.57	39.27	39.61	40.20	40.15	39.68	39.30	40.02
40.79	38.68	41.11	40.20	40.90	39.52	39.37	39.80
41.08	41.11	41.06	40.52	40.61	40.94	41.29	41.52
41.79	42.22	42.39	42.44	42.23	42.04	41.80	41.35
0.05	0.36	0.54	2.00	3.61	0.57	0.03	3.19
0.589	0.579	0.551	0.517	0.507	0.505	0.532	0.556
1.990	2.018	2.005	2.046	2.077	2.088	2.057	2.015
3.063	3.069	3.066	3.053				
0.137	0.114	0.163	0.154	0.132	0.119	0.125	0.147
0.143	0.171	0.166	0.148	0.184	0.141	0.173	0.147
0.069	0.056	0.067	0.098	0.095	0.085	0.082	0.066
0.079	0.067	0.062	0.057	0.071	0.082	0.084	0.075

32.41	32.40	32.31	31.80				
40.52	40.84	40.56	40.58				
Extra Facet / Nat			Yes (2)				
Girdle to MIC, mm			0.018				



Paint / Dug	Avg	Max	Type
Crown, °	-1.58	-4.24	Painting
Crown, notches	0.4, Small	1.1	
Pavilion, °	-0.30	-1.77	
Pavilion, notches	0.1, Negligible	0.5	