

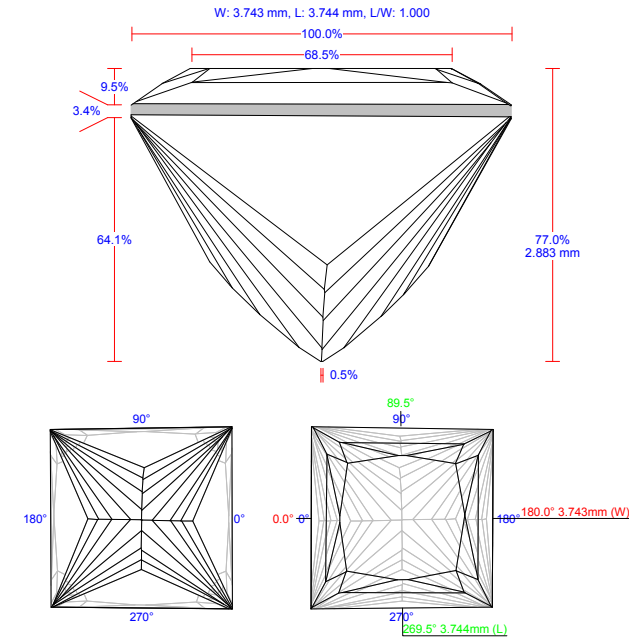
ILLUSTRATED REPORT FOR ANY CUT

Princess 24.04.2008

Model Simple
 Expert name Makoed A.G.
 Real weight, ct
 Calculated weight, ct 0.32, 0.3267
 Spread -0.05 ct, -17.31 %
 Extra Facet / Nat No

Width	Length	Ratio (L/W)	Diameter Minimum	Diameter Maximum
3.743 mm	3.744 mm	1.000	3.743 mm	5.255 mm

Total height	Crown height	Pav. depth	Girdle	
			Bezel	Valley
2.883 mm	0.357 mm	2.400 mm	0.127 mm	N/A mm
77.03 %				

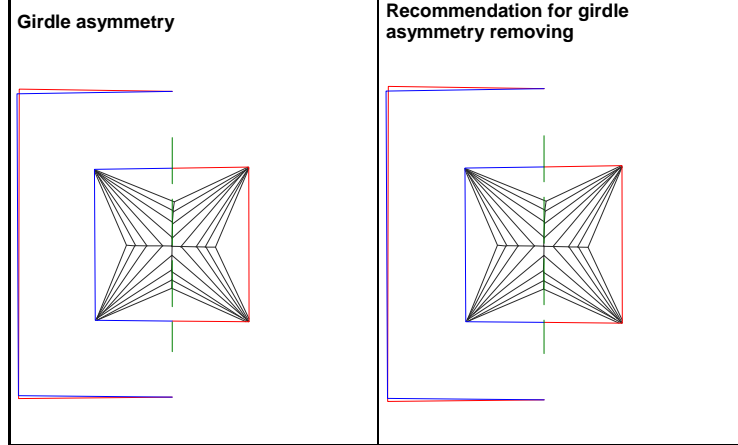
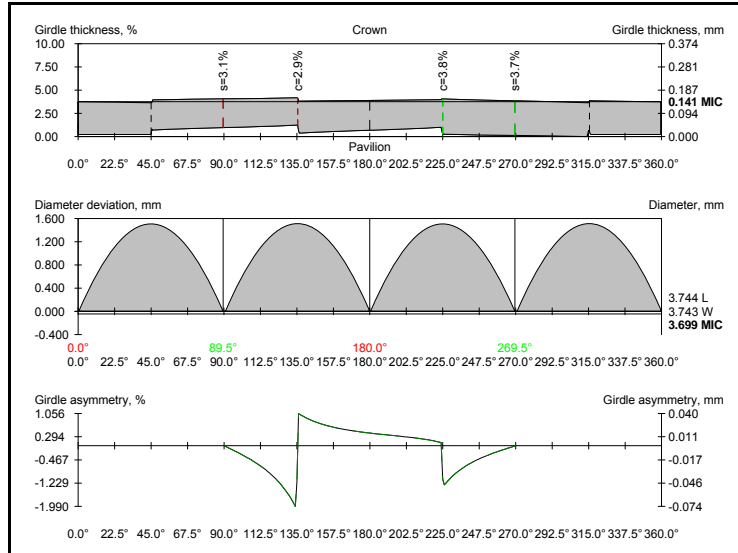


Appraiser title
 Overall cut quality
 Symmetry appraiser title
 Overall symmetry quality

GIA_PCTG_StarCul
 N/A
 Internal
 VG

Color	
Clarity	
Polish	
Fluorescence	

Parameter	Avg	Min	Max	Dev
Diameter, mm		3.743	5.255	40.39 %
Crown height, %	9.53	9.36	9.67	0.31
Crown height, mm	0.357	0.350	0.362	0.012
Pavilion depth, %	64.12	63.74	64.58	0.84
Pavilion depth, mm	2.400	2.386	2.417	0.032
Girdle Bezel, %	3.38	3.09	3.72	0.63
Girdle Bezel, mm	0.127	0.116	0.139	0.024
Girdle Valley, %	N/A	N/A	N/A	N/A
Girdle Valley, mm	N/A	N/A	N/A	N/A
Table, %		68.23	68.71	0.48
Table, mm		2.555	2.572	0.017
Culet, %		0.32	0.61	0.30
Culet, mm		0.012	0.023	0.011



Girdle-Culet offset by table axis	1.19 ± 0.34, %	0.045 ± 0.013, mm
Girdle-Table offset by table axis	0.85 ± 0.29, %	0.032 ± 0.011, mm
Table-Culet offset by table axis	1.31 ± 0.35, %	0.049 ± 0.013, mm

