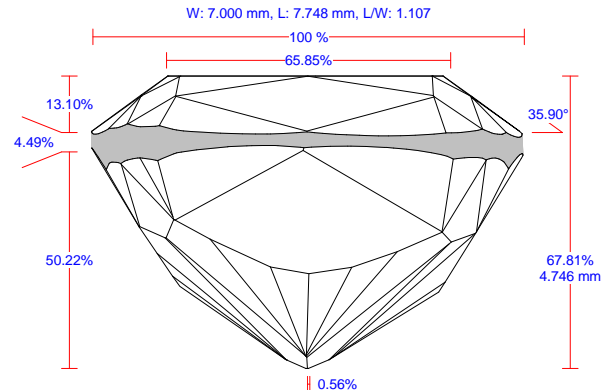


Full report for cushion

General information

Model	Simple
Expert name	Makoed A.G.
Report date	14.03.2009
Real weight, ct	
Calculated weight, ct	2.24, 2.2420
Spread	-0.38 ct, -20.75 %
EF / Nat	No
Appraiser title	GIA_PCTG_StarCul
Overall cut quality	N/A
Symmetry appraiser title	Internal
Overall symmetry quality	PR



Width	Length	Ratio (L/W)	Corner Ratio	Diameter Minimum	Diameter Maximum	Total height	MIC
7.000 mm	7.748 mm	1.107	1.007	7.000 mm	8.800 mm	4.746 mm	6.990 mm

Parameter		Avg	Min	Max	Dev
Crown height width	%	13.10	12.84	13.36	0.53
Crown height width	mm	0.917	0.899	0.936	0.037
Crown height length	%	12.94	12.93	12.95	0.02
Crown height length	mm	0.906	0.905	0.907	0.002
Crown height corner	%	11.80	11.10	12.27	1.17
Crown height corner	mm	0.826	0.777	0.859	0.082
Pavilion height width	%	50.22	49.39	51.04	1.65
Pavilion height width	mm	3.515	3.457	3.573	0.116
Pavilion height length	%	50.69	50.17	51.21	1.04
Pavilion height length	mm	3.548	3.512	3.585	0.073
Pavilion height corner	%	48.28	47.83	48.75	0.92
Pavilion height corner	mm	3.379	3.348	3.413	0.065
Table: Side	%	65.85	63.83	67.86	4.03
Table: Side	mm	4.863	4.468	5.258	0.790
Table: Corner w.r.t. Corner	%	72.95	72.65	73.25	0.61
Table: Corner w.r.t. Width	%	91.41	90.73	92.08	1.36
Table: Corner	mm	6.399	6.351	6.446	0.095
Diameter: Corner	%	125.30	124.89	125.71	0.82
Diameter: Corner	mm	8.771	8.742	8.800	0.057
Girdle thickness	%	4.59	2.22	9.08	6.86
Girdle thickness	mm	0.321	0.156	0.636	0.480
Girdle thickness width	%	4.49	3.93	5.05	1.13
Girdle thickness width	mm	0.314	0.275	0.354	0.079
Girdle thickness length	%	4.17	3.64	4.71	1.07
Girdle thickness length	mm	0.292	0.255	0.330	0.075
Girdle thickness corner	%	7.73	6.78	8.34	1.56
Girdle thickness corner	mm	0.541	0.475	0.584	0.109
Culet	%	0.56	0.35	0.64	0.29
Culet	mm	0.039	0.024	0.045	0.020
Crown Main Width angle	°	35.90	35.82	35.97	0.15
Crown Main Width height	%	13.11	12.84	13.38	0.54
Crown Main Width height	mm	0.918	0.899	0.937	0.038
Crown Main Length angle	°	35.98	35.65	36.30	0.65
Crown Main Length height	%	12.94	12.93	12.95	0.02
Crown Main Length height	mm	0.906	0.905	0.907	0.001
Crown Corner angle	°	34.94	34.53	35.41	0.88
Crown Corner height	%	11.80	11.10	12.28	1.17
Crown Corner height	mm	0.826	0.777	0.859	0.082
Crown Star Width angle	°	26.92	26.42	27.69	1.27
Crown Star Width height	%	4.51	4.27	4.62	0.35
Crown Star Width height	mm	0.316	0.299	0.324	0.025
Crown Star Length angle	°	27.59	25.86	28.68	2.82
Crown Star Length height	%	4.55	4.30	4.78	0.48
Crown Star Length height	mm	0.319	0.301	0.334	0.033
Crown Halves Width 1 angle	°	43.73	43.28	44.30	1.02
Crown Halves Width 1 height	%	8.43	7.50	8.90	1.40
Crown Halves Width 1 height	mm	0.590	0.525	0.623	0.098
Crown Halves Width 2 angle	°	44.51	43.96	44.86	0.90
Crown Halves Width 2 height	%	9.28	8.86	9.57	0.72
Crown Halves Width 2 height	mm	0.649	0.620	0.670	0.050

Parameter		Avg	Min	Max	Dev
Crown Halves Length 1 angle	°	42.26	41.00	43.51	2.51
Crown Halves Length 1 height	%	7.95	7.17	8.48	1.30
Crown Halves Length 1 height	mm	0.557	0.502	0.593	0.091
Crown Halves Length 2 angle	°	44.18	43.52	45.16	1.64
Crown Halves Length 2 height	%	8.92	8.73	9.19	0.46
Crown Halves Length 2 height	mm	0.625	0.611	0.644	0.032
Pavilion Main angle	°	31.17	29.83	32.40	2.57
Pavilion Main height	%	29.21	28.59	30.27	1.68
Pavilion Main height	mm	2.045	2.001	2.119	0.118
Pavilion Corner angle	°	54.02	51.03	56.76	5.73
Pavilion Corner height	%	18.75	17.31	19.55	2.24
Pavilion Corner height	mm	1.312	1.212	1.368	0.157
Pavilion Corner Width angle	°	N/A	N/A	N/A	N/A
Pavilion Corner Width height	%	N/A	N/A	N/A	N/A
Pavilion Corner Width height	mm	N/A	N/A	N/A	N/A
Pavilion Corner Length angle	°	N/A	N/A	N/A	N/A
Pavilion Corner Length height	%	N/A	N/A	N/A	N/A
Pavilion Corner Length height	mm	N/A	N/A	N/A	N/A
Pavilion Girdle Width angle	°	57.94	57.59	58.30	0.71
Pavilion Girdle Width height	%	31.96	31.68	32.25	0.56
Pavilion Girdle Width height	mm	2.237	2.218	2.257	0.040
Pavilion Girdle Length angle	°	54.34	50.92	57.77	6.85
Pavilion Girdle Length height	%	29.51	29.25	29.78	0.52
Pavilion Girdle Length height	mm	2.066	2.048	2.084	0.037
Pavilion Girdle Halves Width 1 angle	°	59.67	57.76	62.05	4.29
Pavilion Girdle Halves Width 1 height	%	17.70	14.99	19.50	4.50
Pavilion Girdle Halves Width 1 height	mm	1.239	1.050	1.365	0.315
Pavilion Girdle Halves Width 2 angle	°	61.11	59.77	62.41	2.64
Pavilion Girdle Halves Width 2 height	%	19.56	18.22	21.34	3.12
Pavilion Girdle Halves Width 2 height	mm	1.369	1.276	1.494	0.218
Pavilion Girdle Halves Length 1 angle	°	56.95	54.44	60.09	5.64
Pavilion Girdle Halves Length 1 height	%	16.83	14.29	18.31	4.02
Pavilion Girdle Halves Length 1 height	mm	1.178	1.001	1.282	0.281
Pavilion Girdle Halves Length 2 angle	°	58.51	54.25	62.82	8.57
Pavilion Girdle Halves Length 2 height	%	19.28	17.30	19.96	2.66
Pavilion Girdle Halves Length 2 height	mm	1.349	1.211	1.397	0.186
Pavilion Halves Width 1 angle	°	32.78	31.39	34.40	3.01
Pavilion Halves Width 1 height	%	29.13	27.83	30.79	2.96
Pavilion Halves Width 1 height	mm	2.039	1.948	2.155	0.207
Pavilion Halves Width 2 angle	°	33.60	31.79	34.64	2.85
Pavilion Halves Width 2 height	%	25.97	22.10	28.65	6.55
Pavilion Halves Width 2 height	mm	1.818	1.547	2.006	0.459
Pavilion Halves Width 3 angle	°	33.75	32.03	35.10	3.08
Pavilion Halves Width 3 height	%	18.44	17.77	19.21	1.44
Pavilion Halves Width 3 height	mm	1.291	1.244	1.345	0.101
Pavilion Halves Length 1 angle	°	33.63	30.90	36.32	5.42
Pavilion Halves Length 1 height	%	29.41	28.45	31.48	3.03
Pavilion Halves Length 1 height	mm	2.058	1.991	2.204	0.212
Pavilion Halves Length 2 angle	°	34.23	31.29	37.10	5.80
Pavilion Halves Length 2 height	%	26.43	24.32	27.39	3.07
Pavilion Halves Length 2 height	mm	1.850	1.703	1.917	0.215
Pavilion Halves Length 3 angle	°	34.46	31.04	37.79	6.75
Pavilion Halves Length 3 height	%	20.46	20.16	20.71	0.55
Pavilion Halves Length 3 height	mm	1.432	1.411	1.450	0.039

Detailed parameters

Parameter		1	2	3	4
Crown height width	%	13.36	12.84		
Crown height width	mm	0.936	0.899		
Crown height length	%	12.95	12.93		
Crown height length	mm	0.907	0.905		
Crown height corner	%	12.27	11.10	11.58	12.25
Crown height corner	mm	0.859	0.777	0.810	0.858
Pavilion height width	%	49.39	51.04		
Pavilion height width	mm	3.457	3.573		
Pavilion height length	%	51.21	50.17		
Pavilion height length	mm	3.585	3.512		
Pavilion height corner	%	48.75	48.36	48.17	47.83
Pavilion height corner	mm	3.413	3.385	3.372	3.348

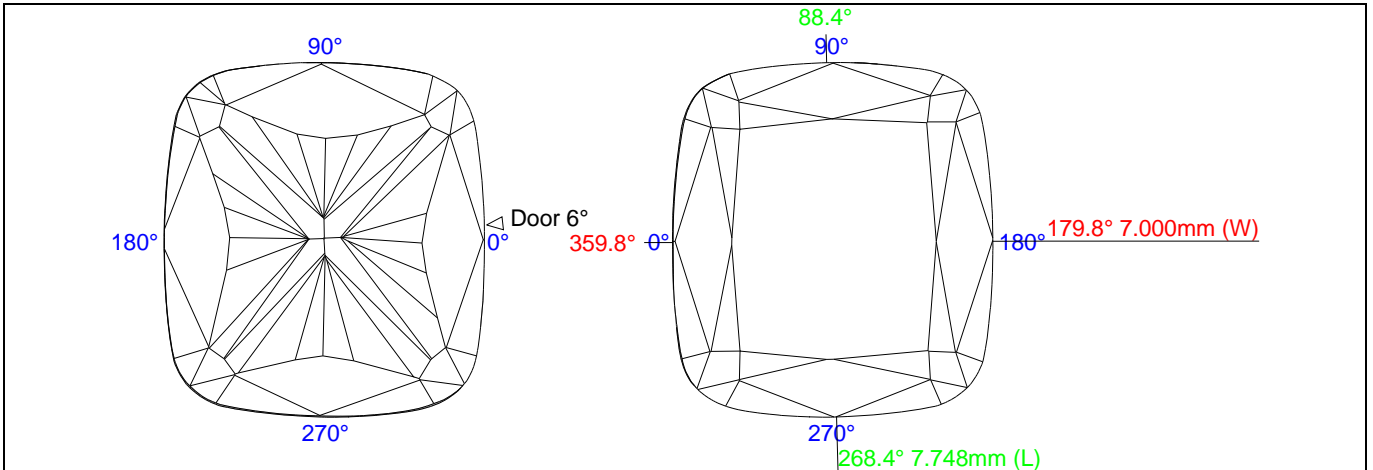
Parameter		1	2	3	4
Table: Side	%	63.83	67.86		
Table: Side	mm	4.468	5.258		
Table: Corner w.r.t. Corner	%	72.65	73.25		
Table: Corner w.r.t. Width	%	90.73	92.08		
Table: Corner	mm	6.351	6.446		
Diameter: Corner	%	124.89	125.71		
Diameter: Corner	mm	8.742	8.800		
Girdle thickness width	%	5.05	3.93		
Girdle thickness width	mm	0.354	0.275		
Girdle thickness length	%	3.64	4.71		
Girdle thickness length	mm	0.255	0.330		
Girdle thickness corner	%	6.78	8.34	8.06	7.73
Girdle thickness corner	mm	0.475	0.584	0.564	0.541
Crown Main Width angle	°	35.82	35.97		
Crown Main Width height	%	13.38	12.84		
Crown Main Width height	mm	0.937	0.899		
Crown Main Width azimuth	°	0.2	179.8		
Crown Main Length angle	°	36.30	35.65		
Crown Main Length height	%	12.95	12.93		
Crown Main Length height	mm	0.907	0.905		
Crown Main Length azimuth	°	88.3	269.3		
Crown Corner angle	°	35.41	35.10	34.73	34.53
Crown Corner height	%	12.28	11.10	11.58	12.25
Crown Corner height	mm	0.859	0.777	0.810	0.858
Crown Corner azimuth	°	46.3	135.3	226.5	316.8
Crown Star Width angle	°	27.69	26.68	26.42	26.89
Crown Star Width height	%	4.57	4.62	4.27	4.59
Crown Star Width height	mm	0.320	0.324	0.299	0.321
Crown Star Width azimuth	°	4.2	175.4	184.3	355.5
Crown Star Length angle	°	27.93	28.68	27.88	25.86
Crown Star Length height	%	4.51	4.62	4.78	4.30
Crown Star Length height	mm	0.316	0.323	0.334	0.301
Crown Star Length azimuth	°	83.6	92.3	264.7	275.4
Crown Halves Width 1 angle	°	44.30	43.28	43.69	43.63
Crown Halves Width 1 height	%	8.81	7.50	8.52	8.90
Crown Halves Width 1 height	mm	0.616	0.525	0.597	0.623
Crown Halves Width 1 azimuth	°	25.8	156.6	202.9	339.8
Crown Halves Width 2 angle	°	44.86	44.50	44.70	43.96
Crown Halves Width 2 height	%	9.35	8.86	9.33	9.57
Crown Halves Width 2 height	mm	0.654	0.620	0.653	0.670
Crown Halves Width 2 azimuth	°	5.0	175.1	184.7	355.6
Crown Halves Length 1 angle	°	43.51	41.86	42.68	41.00
Crown Halves Length 1 height	%	8.40	7.17	7.76	8.48
Crown Halves Length 1 height	mm	0.588	0.502	0.543	0.593
Crown Halves Length 1 azimuth	°	67.6	120.1	243.7	300.1
Crown Halves Length 2 angle	°	44.09	45.16	43.96	43.52
Crown Halves Length 2 height	%	9.02	8.73	8.75	9.19
Crown Halves Length 2 height	mm	0.631	0.611	0.612	0.644
Crown Halves Length 2 azimuth	°	83.4	93.9	263.8	274.8
Pavilion Main angle	°	29.83	31.42	32.40	31.03
Pavilion Main height	%	28.59	28.87	30.27	29.12
Pavilion Main height	mm	2.001	2.021	2.119	2.039
Pavilion Main azimuth	°	318.9	48.7	135.8	224.6
Pavilion Corner angle	°	53.82	51.03	54.49	56.76
Pavilion Corner height	%	19.08	17.31	19.05	19.55
Pavilion Corner height	mm	1.336	1.212	1.333	1.368
Pavilion Corner azimuth	°	51.3	135.2	223.9	317.2
Pavilion Corner Width angle	°	N/A	N/A	N/A	N/A
Pavilion Corner Width height	%	N/A	N/A	N/A	N/A
Pavilion Corner Width height	mm	N/A	N/A	N/A	N/A
Pavilion Corner Width azimuth	°	N/A	N/A	N/A	N/A
Pavilion Corner Length angle	°	N/A	N/A	N/A	N/A
Pavilion Corner Length height	%	N/A	N/A	N/A	N/A
Pavilion Corner Length height	mm	N/A	N/A	N/A	N/A
Pavilion Corner Length azimuth	°	N/A	N/A	N/A	N/A
Pavilion Girdle Width angle	°	58.30	57.59	N/A	N/A
Pavilion Girdle Width height	%	31.68	32.25	N/A	N/A
Pavilion Girdle Width height	mm	2.218	2.257	N/A	N/A
Pavilion Girdle Width azimuth	°	359.8	181.3	N/A	N/A
Pavilion Girdle Length angle	°	50.92	57.77	N/A	N/A
Pavilion Girdle Length height	%	29.25	29.78	N/A	N/A
Pavilion Girdle Length height	mm	2.048	2.084	N/A	N/A
Pavilion Girdle Length azimuth	°	89.3	268.9	N/A	N/A

Parameter		1	2	3	4
Pavilion Girdle Width 1 angle	°	59.58	57.76	59.29	62.05
Pavilion Girdle Width 1 height	%	17.13	14.99	19.19	19.50
Pavilion Girdle Width 1 height	mm	1.199	1.050	1.343	1.365
Pavilion Girdle Width 1 azimuth	°	35.1	154.8	205.4	337.9
Pavilion Girdle Width 2 angle	°	62.38	59.87	59.77	62.41
Pavilion Girdle Width 2 height	%	18.22	18.34	21.34	20.33
Pavilion Girdle Width 2 height	mm	1.276	1.284	1.494	1.423
Pavilion Girdle Width 2 azimuth	°	2.6	179.2	183.3	356.8
Pavilion Girdle Length 1 angle	°	55.27	54.44	58.01	60.09
Pavilion Girdle Length 1 height	%	17.36	14.29	18.31	17.35
Pavilion Girdle Length 1 height	mm	1.215	1.001	1.282	1.214
Pavilion Girdle Length 1 azimuth	°	60.0	126.2	234.7	308.2
Pavilion Girdle Length 2 angle	°	54.25	55.54	61.42	62.82
Pavilion Girdle Length 2 height	%	19.88	17.30	19.96	19.96
Pavilion Girdle Length 2 height	mm	1.392	1.211	1.397	1.397
Pavilion Girdle Length 2 azimuth	°	86.3	93.2	265.4	272.8
Pavilion Halves Width 1 angle	°	32.49	34.40	32.84	31.39
Pavilion Halves Width 1 height	%	29.32	30.79	28.57	27.83
Pavilion Halves Width 1 height	mm	2.053	2.155	2.000	1.948
Pavilion Halves Width 1 azimuth	°	34.2	151.9	211.2	330.1
Pavilion Halves Width 2 angle	°	33.33	34.64	34.63	31.79
Pavilion Halves Width 2 height	%	28.65	24.66	28.47	22.10
Pavilion Halves Width 2 height	mm	2.006	1.726	1.993	1.547
Pavilion Halves Width 2 azimuth	°	26.5	155.5	201.4	334.0
Pavilion Halves Width 3 angle	°	32.86	35.00	35.10	32.03
Pavilion Halves Width 3 height	%	17.81	19.21	18.98	17.77
Pavilion Halves Width 3 height	mm	1.247	1.345	1.329	1.244
Pavilion Halves Width 3 azimuth	°	13.4	169.6	189.8	346.3
Pavilion Halves Length 1 angle	°	36.07	36.32	31.22	30.90
Pavilion Halves Length 1 height	%	29.05	31.48	28.45	28.64
Pavilion Halves Length 1 height	mm	2.034	2.204	1.991	2.005
Pavilion Halves Length 1 azimuth	°	74.6	108.1	234.0	298.2
Pavilion Halves Length 2 angle	°	36.88	37.10	31.66	31.29
Pavilion Halves Length 2 height	%	24.32	27.10	27.39	26.92
Pavilion Halves Length 2 height	mm	1.703	1.897	1.917	1.884
Pavilion Halves Length 2 azimuth	°	78.6	103.5	244.2	293.6
Pavilion Halves Length 3 angle	°	37.72	37.79	31.28	31.04
Pavilion Halves Length 3 height	%	20.16	20.71	20.61	20.37
Pavilion Halves Length 3 height	mm	1.411	1.450	1.443	1.426
Pavilion Halves Length 3 azimuth	°	85.3	94.1	253.0	282.3

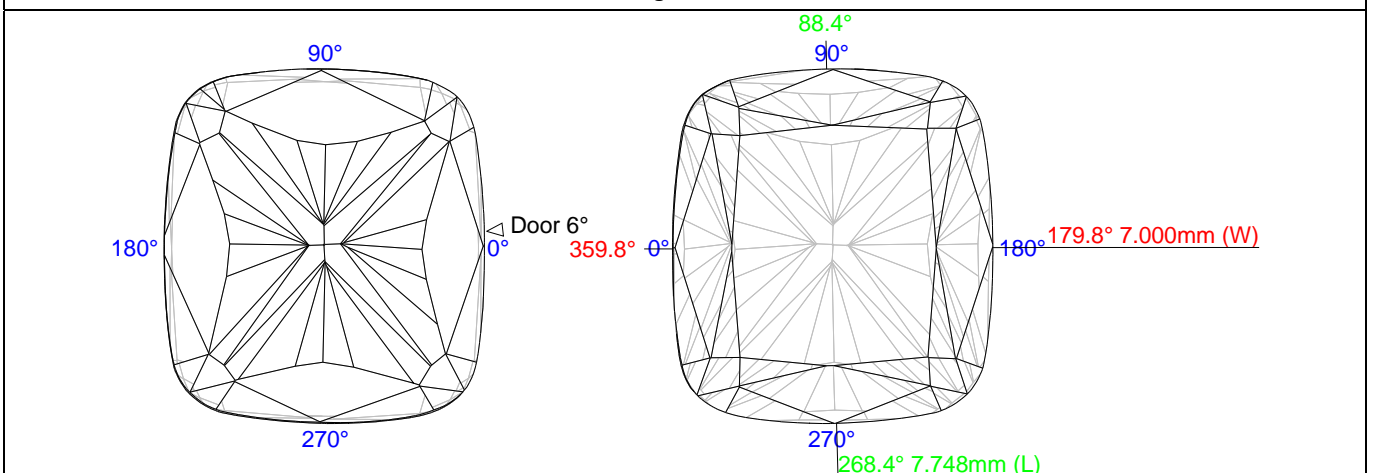
Offset		Distance	Width wise	Length wise
Culet-Table offset by table axis	%	0.46 ± 0.29	0.42	0.20
Culet-Table offset by table axis	mm	0.032 ± 0.020	0.029	0.014
Girdle-Culet offset by table axis	%	0.57 ± 0.28	0.09	0.57
Girdle-Culet offset by table axis	mm	0.040 ± 0.019	0.006	0.040
Girdle-Table offset by table axis	%	0.62 ± 0.25	0.50	0.36
Girdle-Table offset by table axis	mm	0.043 ± 0.017	0.035	0.025
Girdle to table-culet line offset	%	0.58		
Girdle to table-culet line offset	mm	0.040		

Culet shift ratio by width & length	
Width	7.000 mm, 100%
Width-wise culet shift ratio	3.498 mm, 49.97 %
Length-wise culet shift ratio	3.909 mm, 55.84 %
Length	7.748 mm, 100%
Length-wise culet shift ratio	3.909 mm, 50.44 %
	3.844 mm, 49.61 %

Crown and pavilion views of the diamond with indication of Width & Length

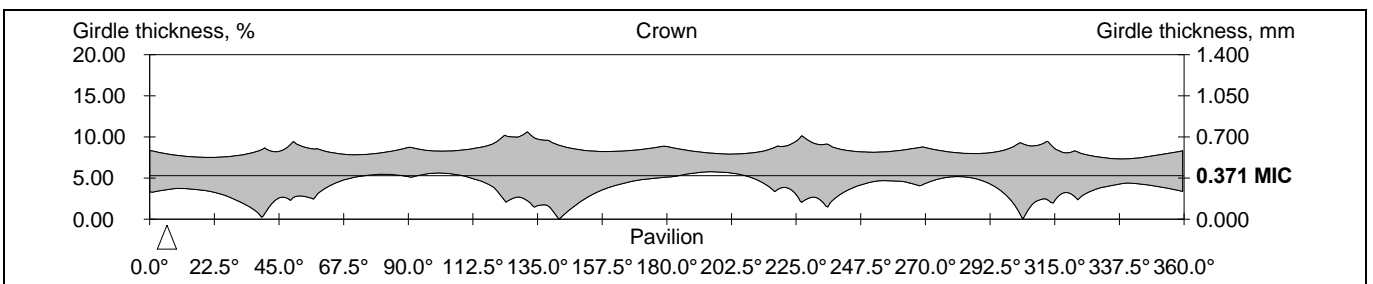


Invisible edges are hidden

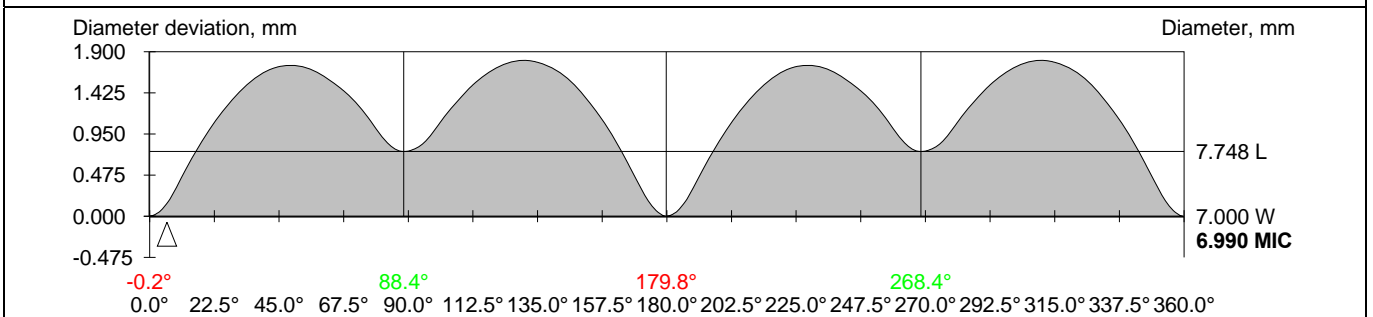


Invisible edges are drawn taking refraction into account

Plots

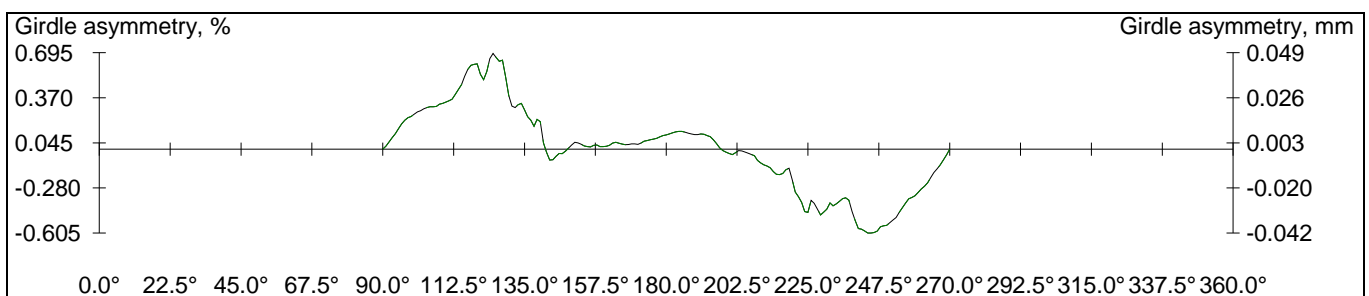
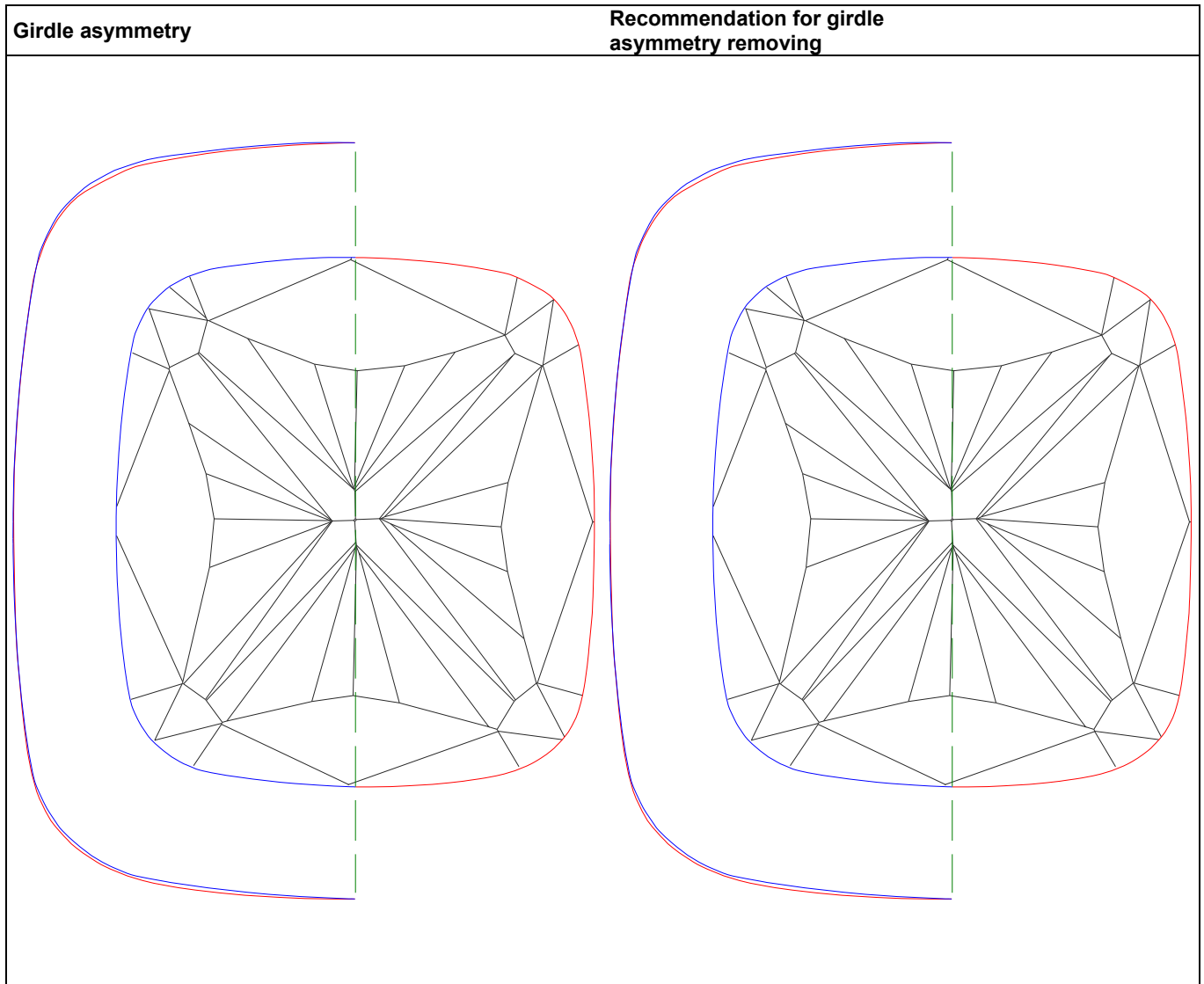


Girdle thickness plot

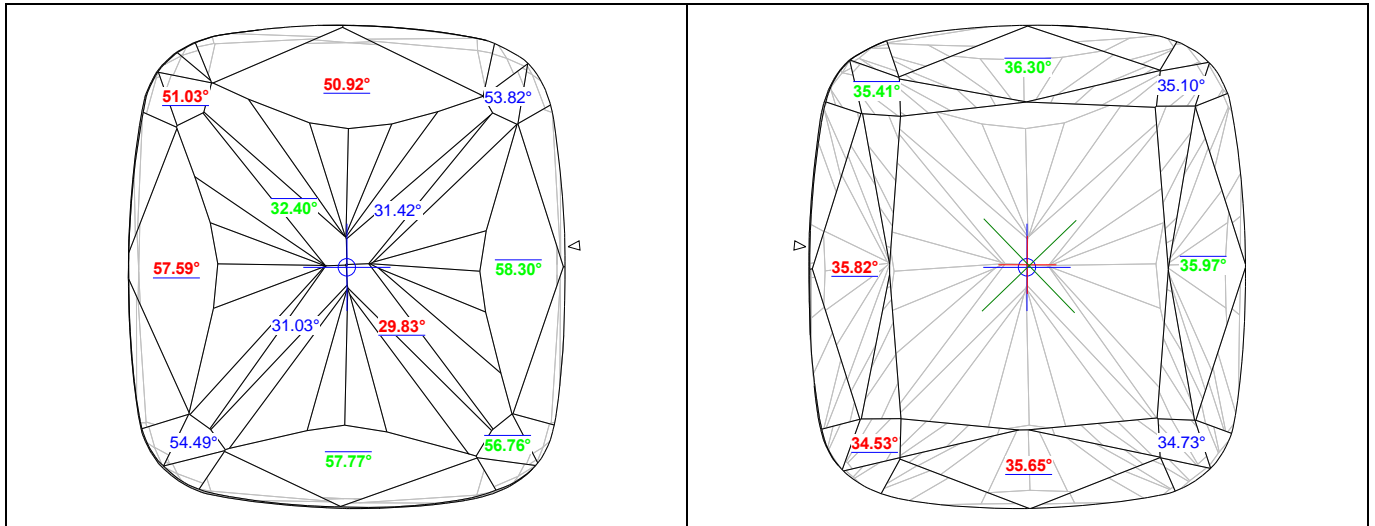


Diameter variation plot

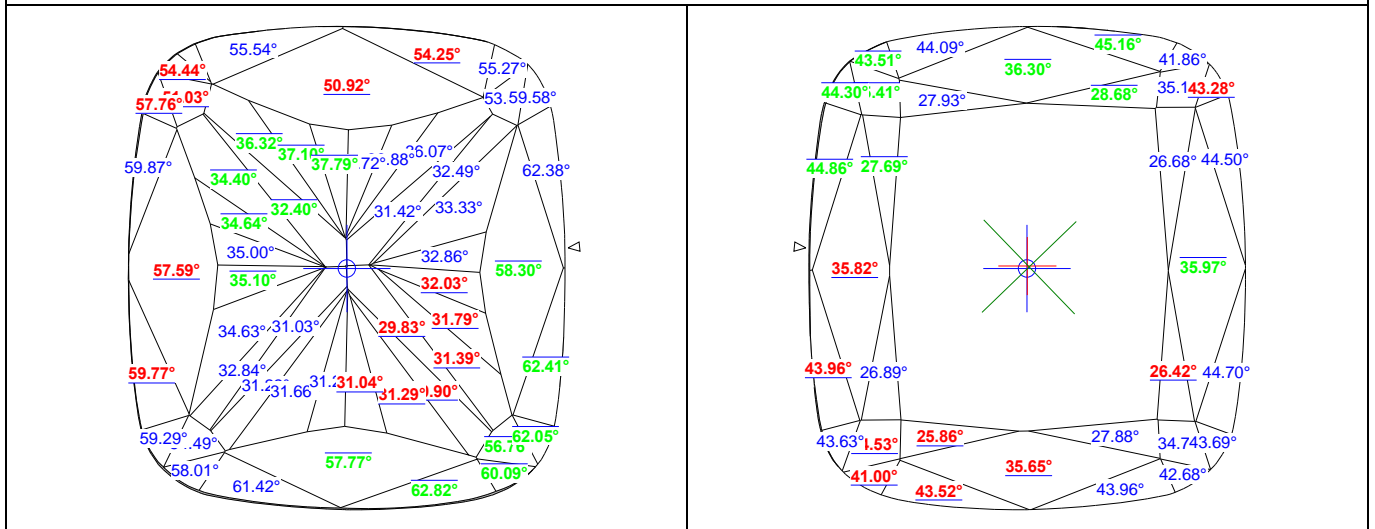
Girdle asymmetry



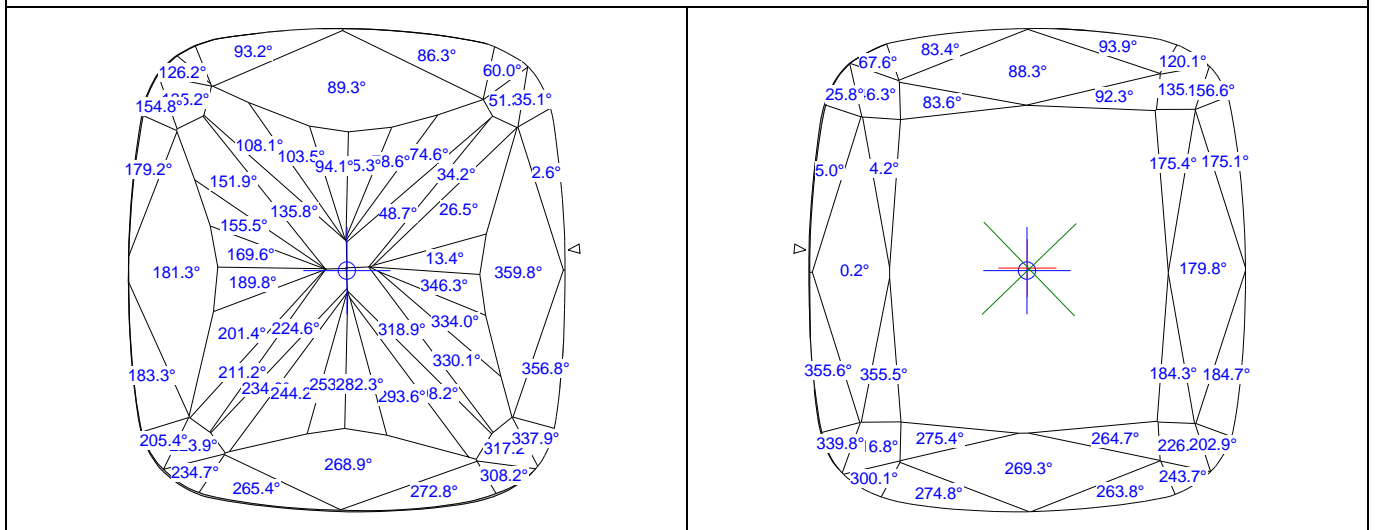
Facets slope and azimuth angles



Pavilion and crown views of the diamond with indication of main facets slope angles
 Invisible edges are drawn taking refraction into account

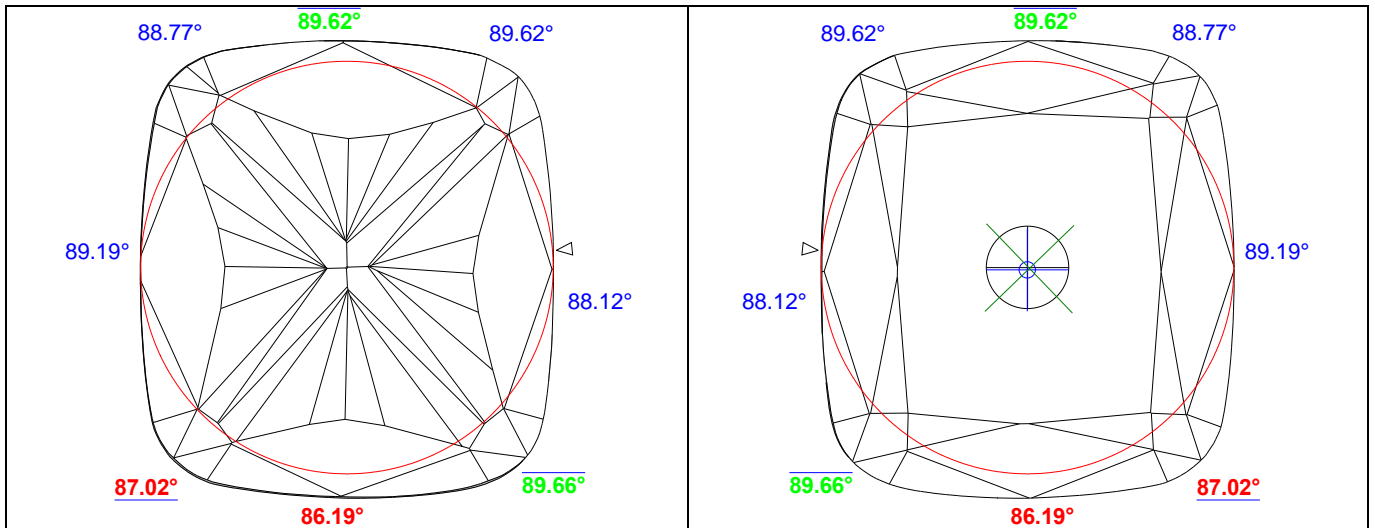


Pavilion and crown views of the diamond with indication of facets slope angles

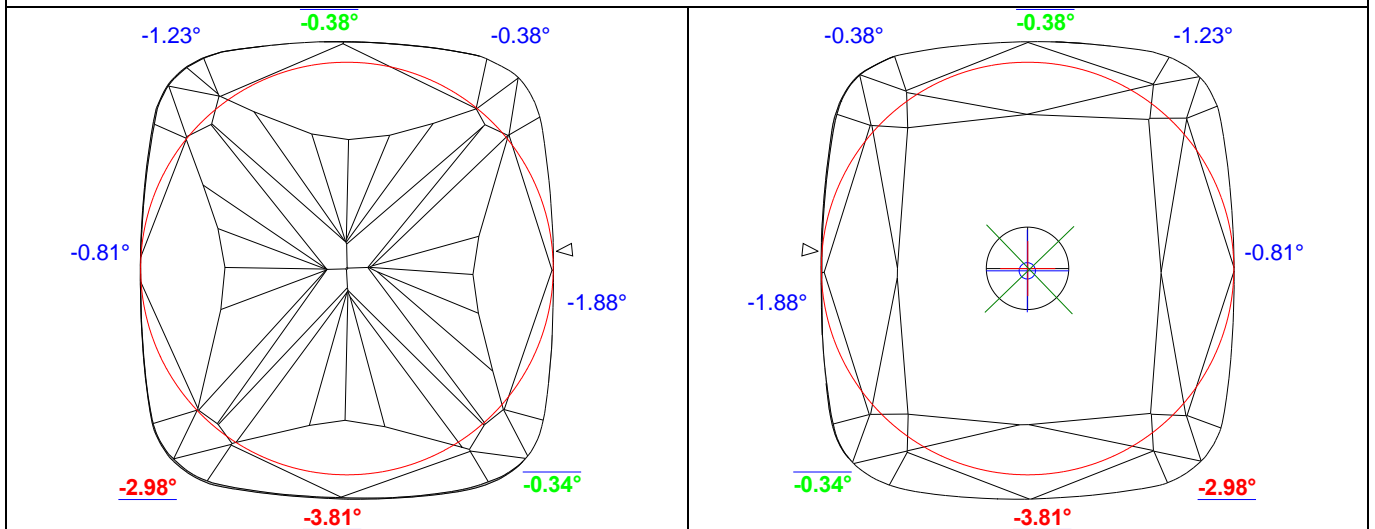


Pavilion and crown views of the diamond with indication of facets azimuth angles

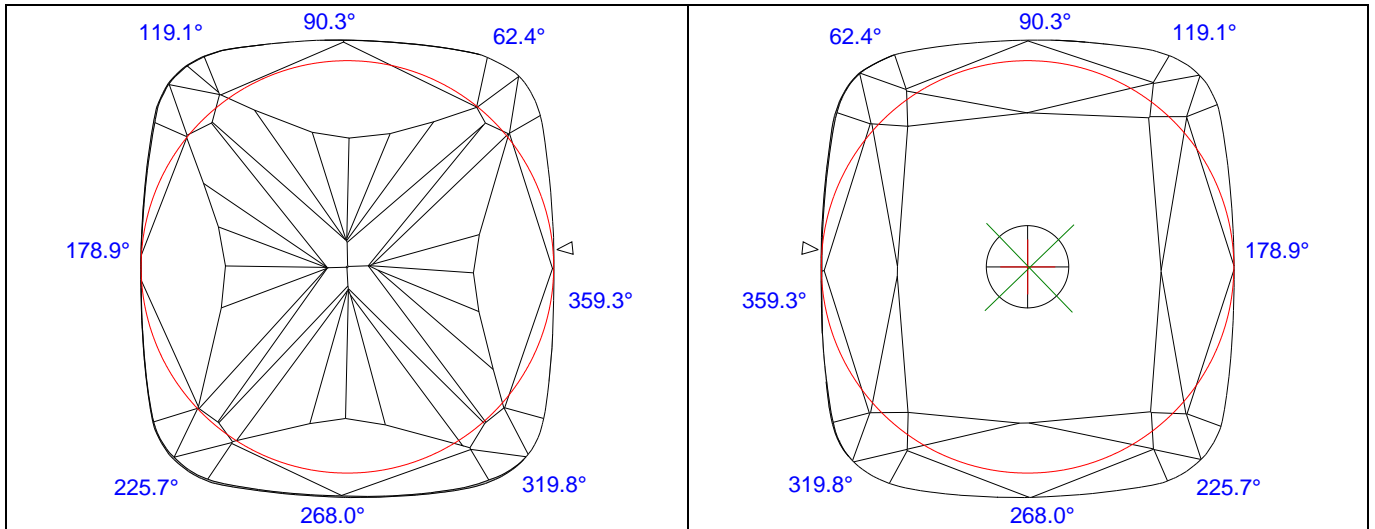
Girdle facets slope and azimuth angles



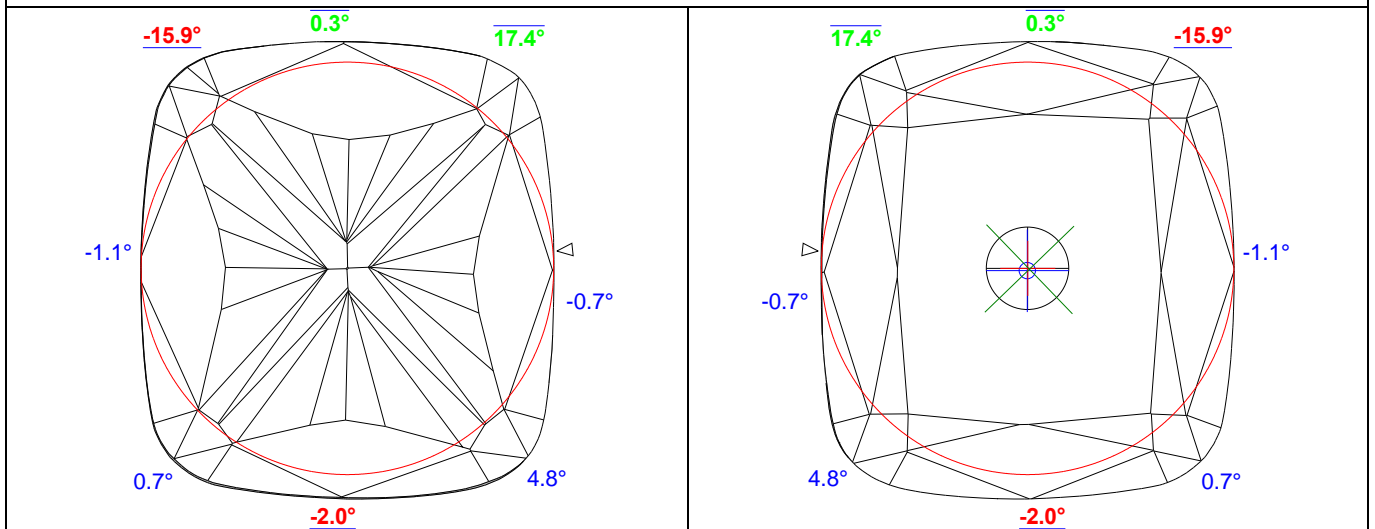
Pavilion and crown views of the diamond with indication of girdle facets slope angles



Pavilion and crown views of the diamond with indication of deviation of girdle facets slope angles from there ideal (90°)

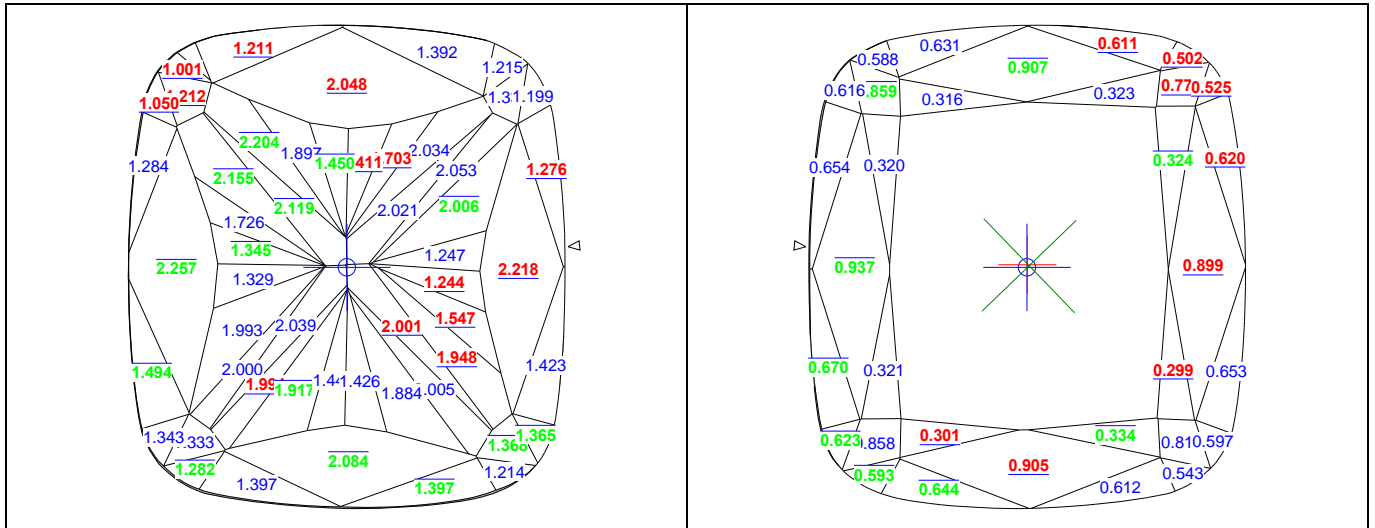


Pavilion and crown views of the diamond with indication of girdle facets azimuth angles

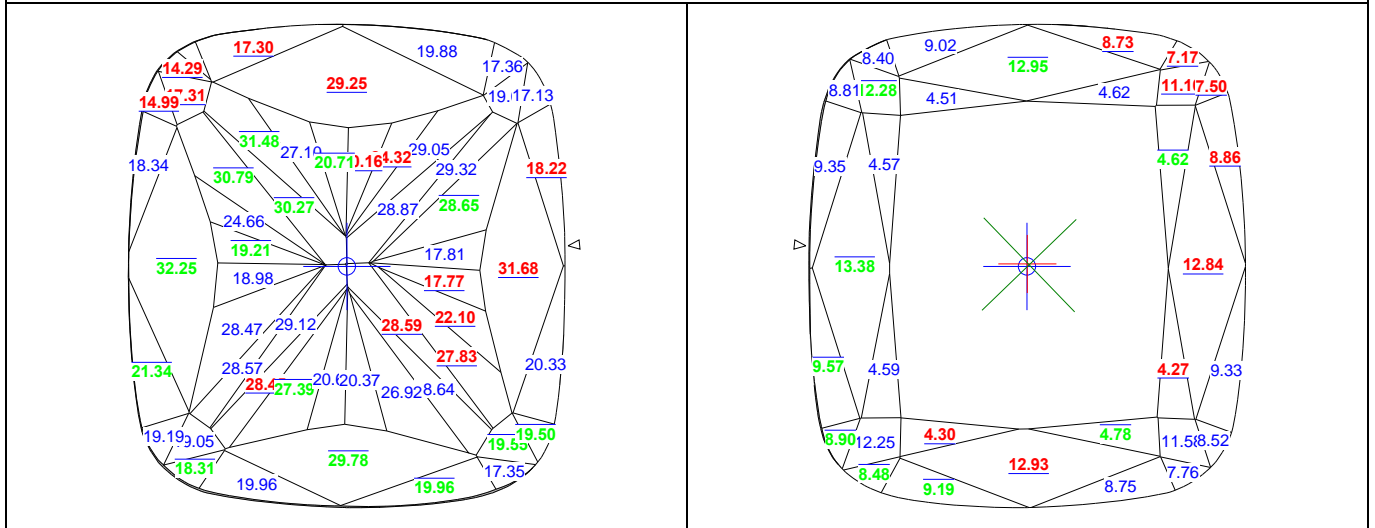


Pavilion and crown views of the diamond with indication of deviation of girdle facets azimuth angles

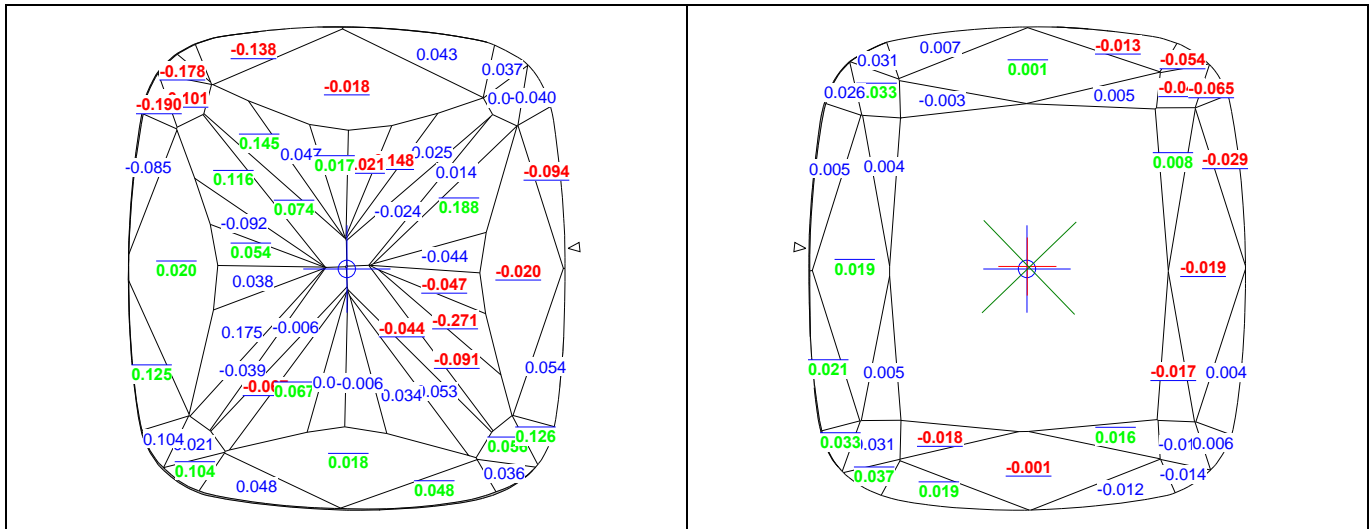
Facets heights



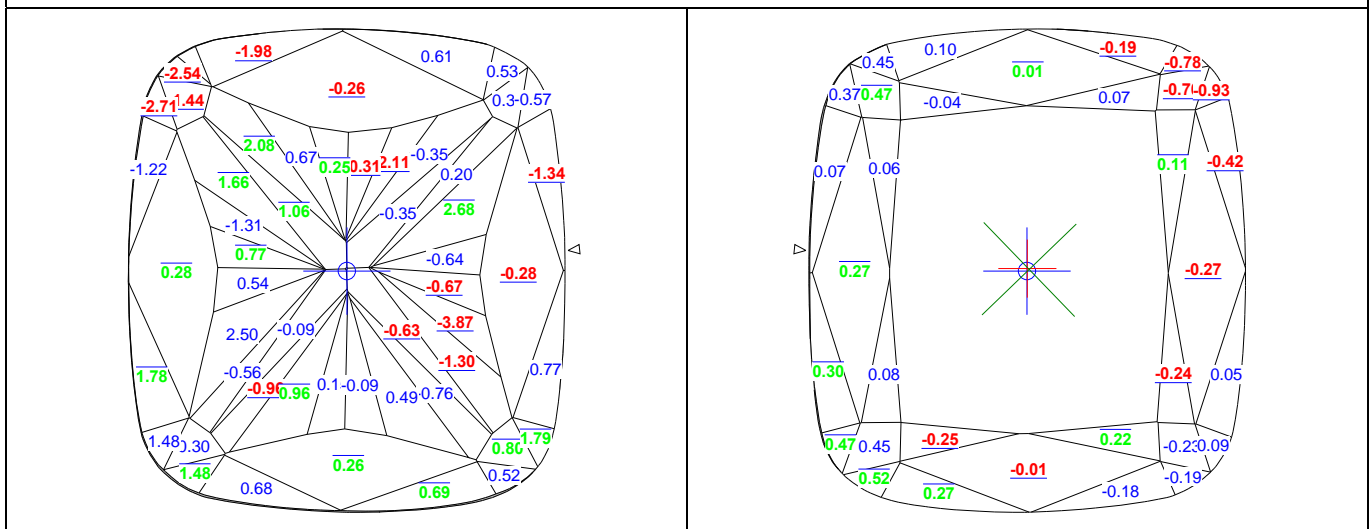
Pavilion and crown views of the diamond with indication of facets heights (mm)



Pavilion and crown views of the diamond with indication of facets heights (%)

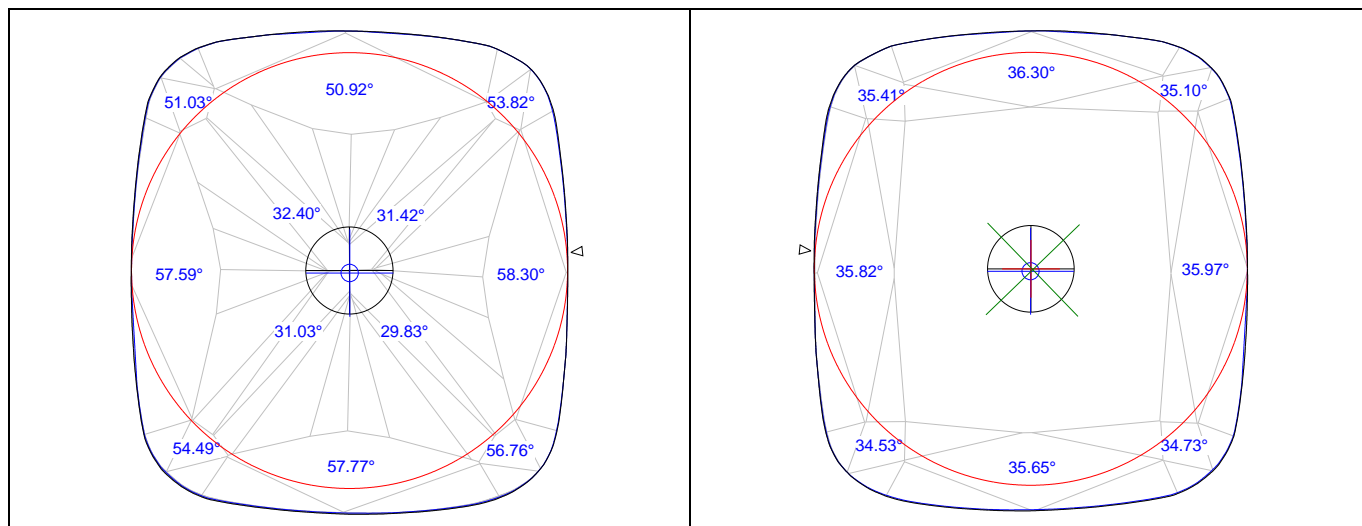


Pavilion and crown views of the diamond with indication of deviation of facets heights from the average values (mm)

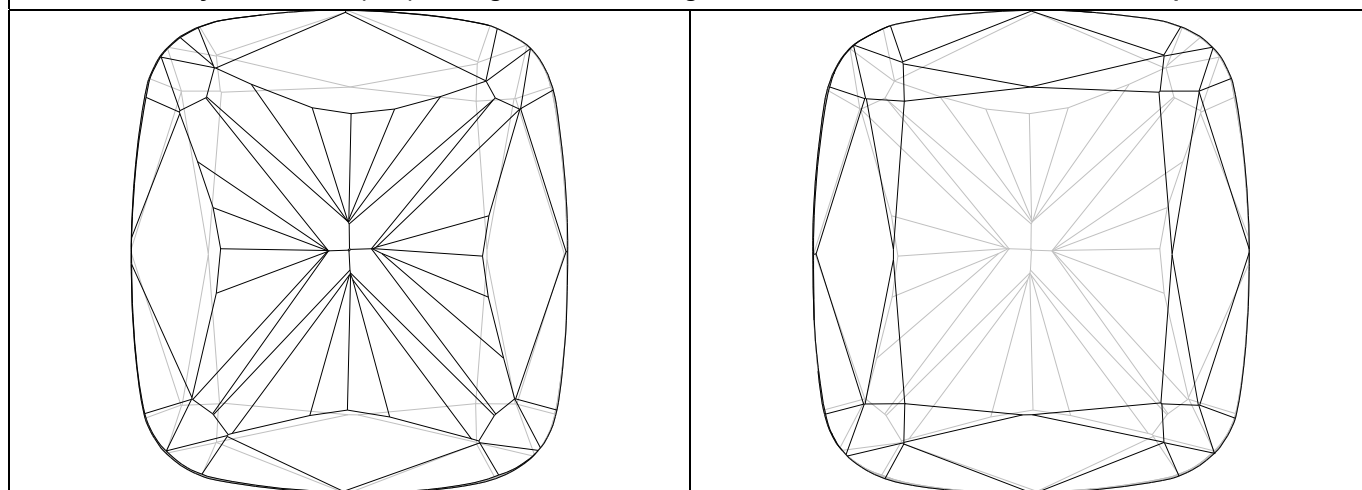


Pavilion and crown views of the diamond with indication of deviation of facets heights from the average values (%)

Additional Illustrations



Pavilion and crown views of the diamond with indication of the maximum circle that may be inscribed (MIC) in the girdle outline along with the section of the model in the circle's plane



Pavilion and crown views of the diamond with indication of invisible edges without refraction



Girdle center



Culet center



Table center



MIC center