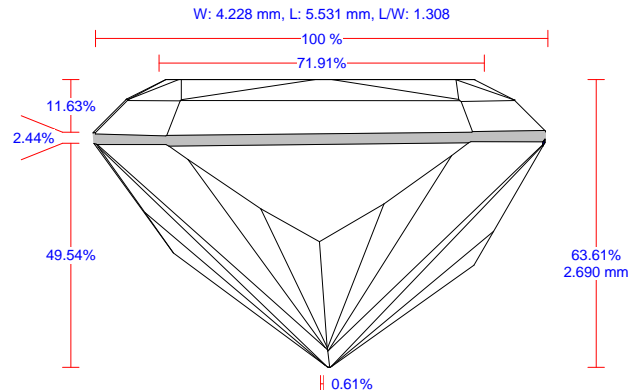


Full report for radiant

General information

| | |
|--------------------------|-----------------|
| Model | Simple |
| Expert name | Makoed A.G. |
| Report date | 14.03.2009 |
| Real weight, ct | |
| Calculated weight, ct | 0.52, 0.5196 |
| Spread | 0.05 ct, 8.22 % |
| EF / Nat | Yes (1) |
| Appraiser title | AGS_2005 |
| Overall cut quality | N/A |
| Symmetry appraiser title | Internal |
| Overall symmetry quality | PR |



Main parameters

| Width | Length | Ratio (L/W) | Corner Ratio | Diameter Minimum | Diameter Maximum | Total height | MIC |
|----------|----------|-------------|--------------|------------------|------------------|--------------|----------|
| 4.228 mm | 5.531 mm | 1.308 | 1.009 | 4.228 mm | 6.253 mm | 2.690 mm | 4.219 mm |

| Parameter | | Avg | Min | Max | Dev | Cut | Sym |
|-----------------------------|----|--------|--------|--------|-------|---------|-----|
| Diameter | mm | | 4.228 | 6.253 | | N/A | |
| Diameter: Corner | % | 141.27 | 140.62 | 141.93 | 1.30 | | |
| Diameter: Corner | mm | 5.973 | 5.946 | 6.001 | 0.055 | | |
| Crown height: Side | % | 11.63 | 11.19 | 12.20 | 1.01 | N/A | VG |
| Crown height: Side | mm | 0.492 | 0.473 | 0.516 | 0.043 | | |
| Crown height: Joint | % | N/A | N/A | N/A | N/A | | |
| Crown height: Joint | mm | N/A | N/A | N/A | N/A | | |
| Pavilion height: Side | % | 49.54 | 49.24 | 49.86 | 0.62 | N/A | EX |
| Pavilion height: Side | mm | 2.094 | 2.082 | 2.108 | 0.026 | | |
| Pavilion height: Joint | % | N/A | N/A | N/A | N/A | | |
| Pavilion height: Joint | mm | N/A | N/A | N/A | N/A | | |
| Total height | % | 63.61 | | | | N/A | |
| Table: Side | % | 71.91 | 68.12 | 75.70 | 7.58 | Grading | PR |
| Table: Side | mm | 3.534 | 2.880 | 4.187 | 1.307 | | |
| Table: Corner w.r.t. Corner | % | 76.69 | 76.41 | 76.97 | 0.56 | | |
| Table: Corner w.r.t. Width | % | 108.34 | 108.23 | 108.45 | 0.22 | | |
| Table: Corner | mm | 4.581 | 4.576 | 4.585 | 0.009 | | |
| Culet | % | 0.61 | 0.33 | 0.82 | 0.49 | 0 | EX |
| Culet | mm | 0.026 | 0.014 | 0.035 | 0.021 | | |
| Girdle thickness: Side | % | 2.44 | 2.17 | 2.76 | 0.59 | | EX |
| Girdle thickness: Side | mm | 0.103 | 0.092 | 0.117 | 0.025 | | |
| Girdle thickness: Joint | % | N/A | N/A | N/A | N/A | | N/A |
| Girdle thickness: Joint | mm | N/A | N/A | N/A | N/A | | |
| Girdle facet angle | ° | 87.85 | 85.43 | 89.50 | 4.06 | | |
| Corner angle width | % | 15.17 | 14.05 | 16.30 | 2.25 | | |
| Corner angle width | mm | 0.641 | 0.594 | 0.689 | 0.095 | | |
| Corner angle length | % | 15.05 | 13.62 | 16.66 | 3.04 | | |
| Corner angle length | mm | 0.636 | 0.576 | 0.704 | 0.129 | | |
| Crown 1 Main Width angle | ° | 44.98 | 44.84 | 45.12 | 0.28 | | |
| Crown 1 Main Width height | % | 7.21 | 7.02 | 7.40 | 0.39 | | |
| Crown 1 Main Width height | mm | 0.305 | 0.297 | 0.313 | 0.016 | | |
| Crown 1 Main Length angle | ° | 44.86 | 44.32 | 45.40 | 1.07 | | |
| Crown 1 Main Length height | % | 7.39 | 7.07 | 7.71 | 0.63 | | |
| Crown 1 Main Length height | mm | 0.312 | 0.299 | 0.326 | 0.027 | | |
| Crown 1 Corner angle | ° | 45.00 | 44.86 | 45.18 | 0.32 | | |
| Crown 1 Corner height | % | 7.26 | 6.87 | 7.85 | 0.98 | | |
| Crown 1 Corner height | mm | 0.307 | 0.290 | 0.332 | 0.041 | | |
| Crown 2 Main Width angle | ° | 27.13 | 27.12 | 27.13 | 0.01 | | |
| Crown 2 Main Width height | % | 4.48 | 4.36 | 4.59 | 0.22 | | |
| Crown 2 Main Width height | mm | 0.189 | 0.185 | 0.194 | 0.009 | | |
| Crown 2 Main Length angle | ° | 27.51 | 27.15 | 27.88 | 0.72 | | |
| Crown 2 Main Length height | % | 4.58 | 4.50 | 4.66 | 0.16 | | |
| Crown 2 Main Length height | mm | 0.194 | 0.190 | 0.197 | 0.007 | | |
| Crown 2 Corner angle | ° | 27.55 | 27.17 | 27.84 | 0.67 | | |
| Crown 2 Corner height | % | 4.68 | 4.57 | 4.82 | 0.25 | | |
| Crown 2 Corner height | mm | 0.198 | 0.193 | 0.204 | 0.011 | | |

| Parameter | | Avg | Min | Max | Dev |
|---------------------------------|----|-------|-------|-------|-------|
| Crown Star Width angle | ° | 20.38 | 19.26 | 21.36 | 2.10 |
| Crown Star Width height | % | 4.35 | 4.22 | 4.49 | 0.27 |
| Crown Star Width height | mm | 0.184 | 0.178 | 0.190 | 0.012 |
| Crown Star Length angle | ° | 21.37 | 20.82 | 22.58 | 1.76 |
| Crown Star Length height | % | 4.41 | 4.37 | 4.45 | 0.08 |
| Crown Star Length height | mm | 0.187 | 0.185 | 0.188 | 0.003 |
| Pavilion 1 Main Width angle | ° | 57.14 | 54.32 | 59.95 | 5.63 |
| Pavilion 1 Main Width height | % | 25.71 | 24.22 | 27.20 | 2.98 |
| Pavilion 1 Main Width height | mm | 1.087 | 1.024 | 1.150 | 0.126 |
| Pavilion 1 Main Length angle | ° | 58.85 | 58.82 | 58.87 | 0.05 |
| Pavilion 1 Main Length height | % | 22.58 | 21.88 | 23.29 | 1.41 |
| Pavilion 1 Main Length height | mm | 0.955 | 0.925 | 0.985 | 0.059 |
| Pavilion 1 Corner angle | ° | 35.72 | 34.79 | 36.57 | 1.79 |
| Pavilion 1 Corner height | % | 45.57 | 44.91 | 46.20 | 1.29 |
| Pavilion 1 Corner height | mm | 1.927 | 1.899 | 1.953 | 0.055 |
| Pavilion 2 Main Width angle | ° | N/A | N/A | N/A | N/A |
| Pavilion 2 Main Width height | % | N/A | N/A | N/A | N/A |
| Pavilion 2 Main Width height | mm | N/A | N/A | N/A | N/A |
| Pavilion 2 Main Length angle | ° | N/A | N/A | N/A | N/A |
| Pavilion 2 Main Length height | % | N/A | N/A | N/A | N/A |
| Pavilion 2 Main Length height | mm | N/A | N/A | N/A | N/A |
| Pavilion 2 Corner angle | ° | N/A | N/A | N/A | N/A |
| Pavilion 2 Corner height | % | N/A | N/A | N/A | N/A |
| Pavilion 2 Corner height | mm | N/A | N/A | N/A | N/A |
| Pavilion Halves Width 1 angle | ° | 35.65 | 34.79 | 36.52 | 1.73 |
| Pavilion Halves Width 1 height | % | 49.09 | 48.67 | 49.28 | 0.61 |
| Pavilion Halves Width 1 height | mm | 2.076 | 2.058 | 2.084 | 0.026 |
| Pavilion Halves Width 2 angle | ° | 37.02 | 36.83 | 37.24 | 0.41 |
| Pavilion Halves Width 2 height | % | 48.55 | 48.23 | 48.79 | 0.56 |
| Pavilion Halves Width 2 height | mm | 2.053 | 2.039 | 2.063 | 0.024 |
| Pavilion Halves Width 3 angle | ° | 37.27 | 36.96 | 37.60 | 0.64 |
| Pavilion Halves Width 3 height | % | 32.01 | 30.08 | 33.83 | 3.75 |
| Pavilion Halves Width 3 height | mm | 1.354 | 1.272 | 1.431 | 0.159 |
| Pavilion Halves Length 1 angle | ° | 35.29 | 34.43 | 36.19 | 1.76 |
| Pavilion Halves Length 1 height | % | 42.94 | 42.02 | 44.21 | 2.19 |
| Pavilion Halves Length 1 height | mm | 1.816 | 1.777 | 1.869 | 0.093 |
| Pavilion Halves Length 2 angle | ° | 34.15 | 33.11 | 35.56 | 2.45 |
| Pavilion Halves Length 2 height | % | 30.42 | 28.05 | 32.02 | 3.98 |
| Pavilion Halves Length 2 height | mm | 1.286 | 1.186 | 1.354 | 0.168 |
| Pavilion Halves Length 3 angle | ° | N/A | N/A | N/A | N/A |
| Pavilion Halves Length 3 height | % | N/A | N/A | N/A | N/A |
| Pavilion Halves Length 3 height | mm | N/A | N/A | N/A | N/A |

Detailed parameters

| Parameter | | 1 | 2 | 3 | 4 | 5 | 6 | 7 | 8 |
|-----------------------------|----|--------|--------|-------|-------|-------|-------|-------|-------|
| Diameter: Corner | % | 140.62 | 141.93 | | | | | | |
| Diameter: Corner | mm | 5.946 | 6.001 | | | | | | |
| Crown height: Side | % | 11.44 | 11.35 | 11.97 | 12.20 | 11.74 | 11.70 | 11.19 | 11.48 |
| Crown height: Side | mm | 0.484 | 0.480 | 0.506 | 0.516 | 0.496 | 0.494 | 0.473 | 0.486 |
| Crown height: Joint | % | N/A | N/A | N/A | N/A | N/A | N/A | N/A | N/A |
| Crown height: Joint | mm | N/A | N/A | N/A | N/A | N/A | N/A | N/A | N/A |
| Pavilion height: Side | % | 49.71 | 49.86 | 49.28 | 49.24 | 49.43 | 49.30 | 49.66 | 49.80 |
| Pavilion height: Side | mm | 2.102 | 2.108 | 2.084 | 2.082 | 2.090 | 2.084 | 2.100 | 2.106 |
| Pavilion height: Joint | % | N/A | N/A | N/A | N/A | N/A | N/A | N/A | N/A |
| Pavilion height: Joint | mm | N/A | N/A | N/A | N/A | N/A | N/A | N/A | N/A |
| Table: Side | % | 68.12 | 75.70 | | | | | | |
| Table: Side | mm | 2.880 | 4.187 | | | | | | |
| Table: Corner w.r.t. Corner | % | 76.97 | 76.41 | | | | | | |
| Table: Corner w.r.t. Width | % | 108.23 | 108.45 | | | | | | |
| Table: Corner | mm | 4.576 | 4.585 | | | | | | |
| Girdle thickness: Side | % | 2.46 | 2.40 | 2.36 | 2.17 | 2.45 | 2.62 | 2.76 | 2.33 |
| Girdle thickness: Side | mm | 0.104 | 0.101 | 0.100 | 0.092 | 0.104 | 0.111 | 0.117 | 0.098 |
| Girdle thickness: Joint | % | N/A | N/A | N/A | N/A | N/A | N/A | N/A | N/A |
| Girdle thickness: Joint | mm | N/A | N/A | N/A | N/A | N/A | N/A | N/A | N/A |
| Girdle facet angle | ° | 86.92 | 85.51 | 89.40 | 89.20 | 85.43 | 88.89 | 87.91 | 89.50 |
| Girdle facet azimuth | ° | 0.0 | 44.3 | 89.6 | 135.2 | 179.7 | 224.2 | 269.9 | 312.3 |
| Corner angle width | % | 16.30 | 15.39 | 14.05 | 14.94 | | | | |
| Corner angle width | mm | 0.689 | 0.651 | 0.594 | 0.632 | | | | |
| Corner angle length | % | 16.66 | 15.52 | 14.41 | 13.62 | | | | |
| Corner angle length | mm | 0.704 | 0.656 | 0.609 | 0.576 | | | | |

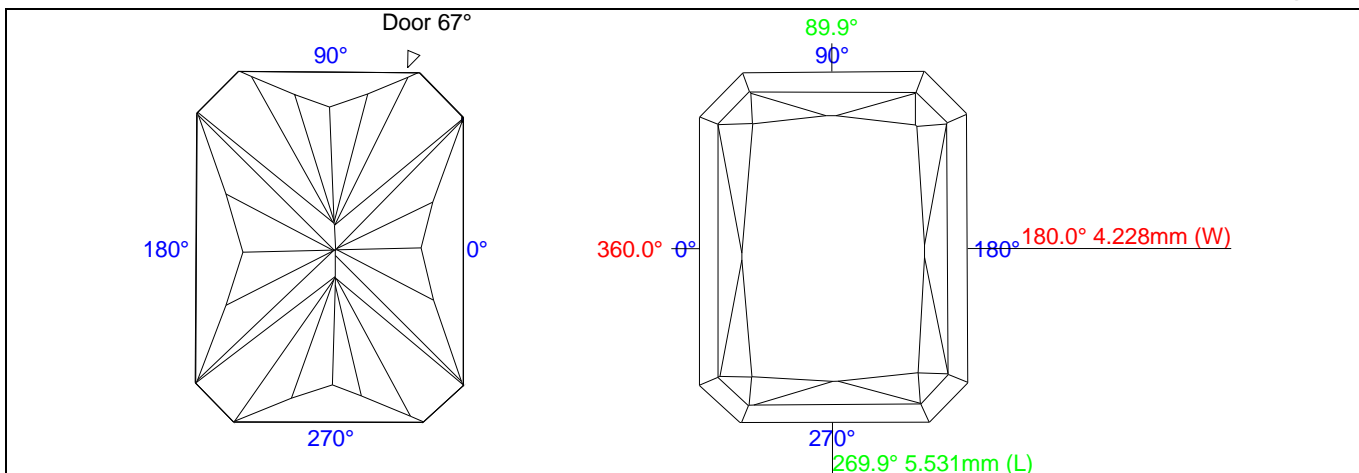
| Parameter | | 1 | 2 | 3 | 4 |
|---------------------------------|----|-------|-------|-------|-------|
| Crown 1 Main Width angle | ° | 44.84 | 45.12 | | |
| Crown 1 Main Width height | % | 7.02 | 7.40 | | |
| Crown 1 Main Width height | mm | 0.297 | 0.313 | | |
| Crown 1 Main Width azimuth | ° | 359.9 | 179.7 | | |
| Crown 1 Main Length angle | ° | 44.32 | 45.40 | | |
| Crown 1 Main Length height | % | 7.71 | 7.07 | | |
| Crown 1 Main Length height | mm | 0.326 | 0.299 | | |
| Crown 1 Main Length azimuth | ° | 90.2 | 269.5 | | |
| Crown 1 Corner angle | ° | 45.18 | 44.86 | 44.93 | 45.04 |
| Crown 1 Corner height | % | 6.87 | 7.85 | 7.36 | 6.98 |
| Crown 1 Corner height | mm | 0.290 | 0.332 | 0.311 | 0.295 |
| Crown 1 Corner azimuth | ° | 44.9 | 134.0 | 223.2 | 313.1 |
| Crown 2 Main Width angle | ° | 27.13 | 27.12 | | |
| Crown 2 Main Width height | % | 4.59 | 4.36 | | |
| Crown 2 Main Width height | mm | 0.194 | 0.185 | | |
| Crown 2 Main Width azimuth | ° | 359.9 | 179.7 | | |
| Crown 2 Main Length angle | ° | 27.88 | 27.15 | | |
| Crown 2 Main Length height | % | 4.66 | 4.50 | | |
| Crown 2 Main Length height | mm | 0.197 | 0.190 | | |
| Crown 2 Main Length azimuth | ° | 90.1 | 269.4 | | |
| Crown 2 Corner angle | ° | 27.17 | 27.63 | 27.57 | 27.84 |
| Crown 2 Corner height | % | 4.82 | 4.69 | 4.57 | 4.63 |
| Crown 2 Corner height | mm | 0.204 | 0.198 | 0.193 | 0.196 |
| Crown 2 Corner azimuth | ° | 45.6 | 133.7 | 223.4 | 313.2 |
| Crown Star Width angle | ° | 19.26 | 21.36 | 21.34 | 19.54 |
| Crown Star Width height | % | 4.49 | 4.33 | 4.37 | 4.22 |
| Crown Star Width height | mm | 0.190 | 0.183 | 0.185 | 0.178 |
| Crown Star Width azimuth | ° | 4.8 | 176.3 | 183.2 | 355.0 |
| Crown Star Length angle | ° | 21.10 | 20.82 | 20.99 | 22.58 |
| Crown Star Length height | % | 4.39 | 4.45 | 4.37 | 4.45 |
| Crown Star Length height | mm | 0.186 | 0.188 | 0.185 | 0.188 |
| Crown Star Length azimuth | ° | 83.7 | 96.6 | 263.9 | 273.3 |
| Pavilion 1 Main Width angle | ° | 59.95 | 54.32 | | |
| Pavilion 1 Main Width height | % | 27.20 | 24.22 | | |
| Pavilion 1 Main Width height | mm | 1.150 | 1.024 | | |
| Pavilion 1 Main Width azimuth | ° | 360.0 | 179.8 | | |
| Pavilion 1 Main Length angle | ° | 58.87 | 58.82 | | |
| Pavilion 1 Main Length height | % | 21.88 | 23.29 | | |
| Pavilion 1 Main Length height | mm | 0.925 | 0.985 | | |
| Pavilion 1 Main Length azimuth | ° | 89.2 | 270.3 | | |
| Pavilion 1 Corner angle | ° | 36.57 | 34.79 | 35.00 | 36.51 |
| Pavilion 1 Corner height | % | 46.20 | 44.91 | 45.65 | 45.55 |
| Pavilion 1 Corner height | mm | 1.953 | 1.899 | 1.930 | 1.926 |
| Pavilion 1 Corner azimuth | ° | 44.5 | 135.2 | 222.8 | 311.8 |
| Pavilion 2 Main Width angle | ° | N/A | N/A | N/A | N/A |
| Pavilion 2 Main Width height | % | N/A | N/A | N/A | N/A |
| Pavilion 2 Main Width height | mm | N/A | N/A | N/A | N/A |
| Pavilion 2 Main Width azimuth | ° | N/A | N/A | N/A | N/A |
| Pavilion 2 Main Length angle | ° | N/A | N/A | N/A | N/A |
| Pavilion 2 Main Length height | % | N/A | N/A | N/A | N/A |
| Pavilion 2 Main Length height | mm | N/A | N/A | N/A | N/A |
| Pavilion 2 Main Length azimuth | ° | N/A | N/A | N/A | N/A |
| Pavilion 2 Corner angle | ° | N/A | N/A | N/A | N/A |
| Pavilion 2 Corner height | % | N/A | N/A | N/A | N/A |
| Pavilion 2 Corner height | mm | N/A | N/A | N/A | N/A |
| Pavilion 2 Corner azimuth | ° | N/A | N/A | N/A | N/A |
| Pavilion Halves Width 1 angle | ° | 36.52 | 34.79 | 34.89 | 36.41 |
| Pavilion Halves Width 1 height | % | 49.20 | 49.28 | 49.21 | 48.67 |
| Pavilion Halves Width 1 height | mm | 2.080 | 2.084 | 2.081 | 2.058 |
| Pavilion Halves Width 1 azimuth | ° | 36.2 | 146.7 | 215.3 | 326.7 |
| Pavilion Halves Width 2 angle | ° | 36.97 | 37.24 | 37.03 | 36.83 |
| Pavilion Halves Width 2 height | % | 48.79 | 48.56 | 48.23 | 48.64 |
| Pavilion Halves Width 2 height | mm | 2.063 | 2.053 | 2.039 | 2.056 |
| Pavilion Halves Width 2 azimuth | ° | 31.7 | 161.6 | 199.8 | 330.3 |
| Pavilion Halves Width 3 angle | ° | 36.96 | 37.60 | 37.37 | 37.14 |
| Pavilion Halves Width 3 height | % | 30.08 | 33.74 | 33.83 | 30.40 |
| Pavilion Halves Width 3 height | mm | 1.272 | 1.427 | 1.431 | 1.285 |
| Pavilion Halves Width 3 azimuth | ° | 20.2 | 165.3 | 195.5 | 341.2 |

| Parameter | | 1 | 2 | 3 | 4 |
|----------------------------------|----|-------|-------|-------|-------|
| Pavilion Halves Length 1 angle | ° | 36.05 | 34.43 | 34.52 | 36.19 |
| Pavilion Halves Length 1 height | % | 43.22 | 42.02 | 44.21 | 42.31 |
| Pavilion Halves Length 1 height | mm | 1.828 | 1.777 | 1.869 | 1.789 |
| Pavilion Halves Length 1 azimuth | ° | 48.0 | 132.3 | 229.5 | 308.5 |
| Pavilion Halves Length 2 angle | ° | 34.59 | 33.11 | 33.32 | 35.56 |
| Pavilion Halves Length 2 height | % | 32.02 | 30.66 | 30.95 | 28.05 |
| Pavilion Halves Length 2 height | mm | 1.354 | 1.297 | 1.309 | 1.186 |
| Pavilion Halves Length 2 azimuth | ° | 55.0 | 124.9 | 238.3 | 305.6 |
| Pavilion Halves Length 3 angle | ° | N/A | N/A | N/A | N/A |
| Pavilion Halves Length 3 height | % | N/A | N/A | N/A | N/A |
| Pavilion Halves Length 3 height | mm | N/A | N/A | N/A | N/A |
| Pavilion Halves Length 3 azimuth | ° | N/A | N/A | N/A | N/A |

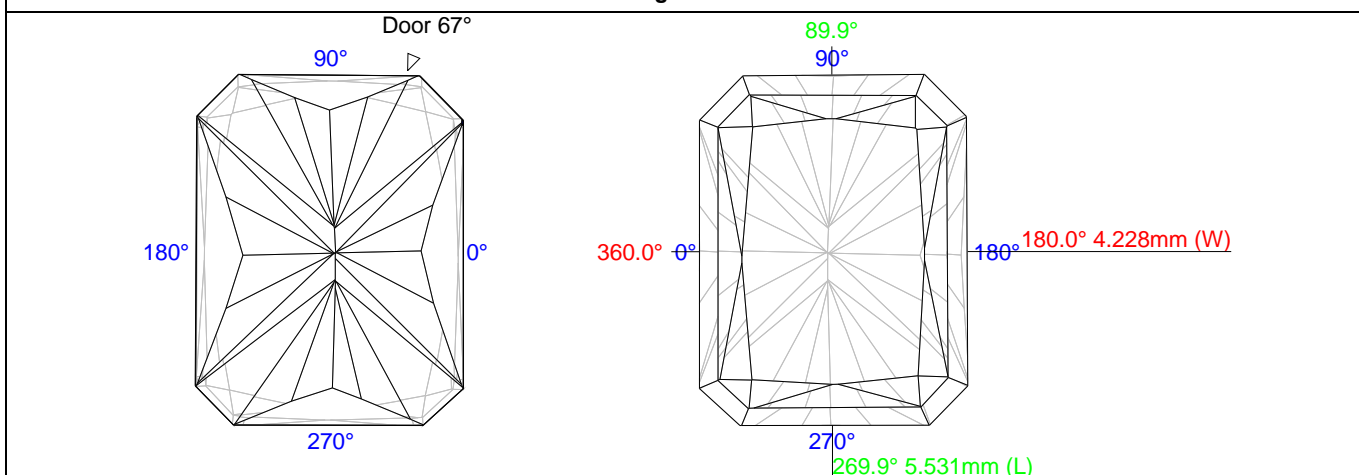
| Offset | | Distance | Width wise | Length wise |
|-----------------------------------|----|---------------|------------|-------------|
| Culet-Table offset by table axis | % | 2.29 ± 0.31 | 2.28 | 0.21 |
| Culet-Table offset by table axis | mm | 0.097 ± 0.013 | 0.096 | 0.009 |
| Girdle-Culet offset by table axis | % | 1.60 ± 0.29 | 1.47 | 0.62 |
| Girdle-Culet offset by table axis | mm | 0.068 ± 0.012 | 0.062 | 0.026 |
| Girdle-Table offset by table axis | % | 0.90 ± 0.26 | 0.81 | 0.41 |
| Girdle-Table offset by table axis | mm | 0.038 ± 0.011 | 0.034 | 0.017 |
| Girdle to table-culet line offset | % | 0.57 | | |
| Girdle to table-culet line offset | mm | 0.024 | | |

| Culet shift ratio by width & length | |
|-------------------------------------|-------------------|
| Width | 4.228 mm, 100% |
| Width-wise culet shift ratio | 2.207 mm, 52.21 % |
| Length-wise culet shift ratio | 2.721 mm, 64.36 % |
| Length | 5.531 mm, 100% |
| Length-wise culet shift ratio | 2.721 mm, 49.19 % |
| | 2.815 mm, 50.89 % |

Crown and pavilion views of the diamond with indication of Width & Length

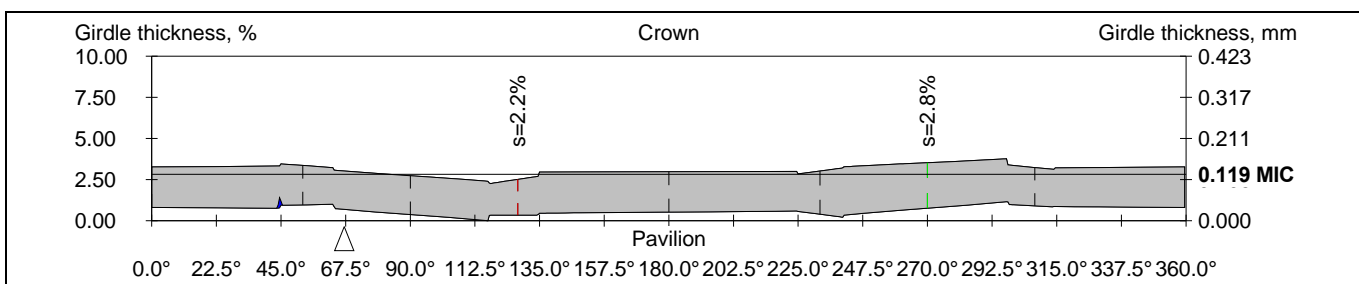


Invisible edges are hidden

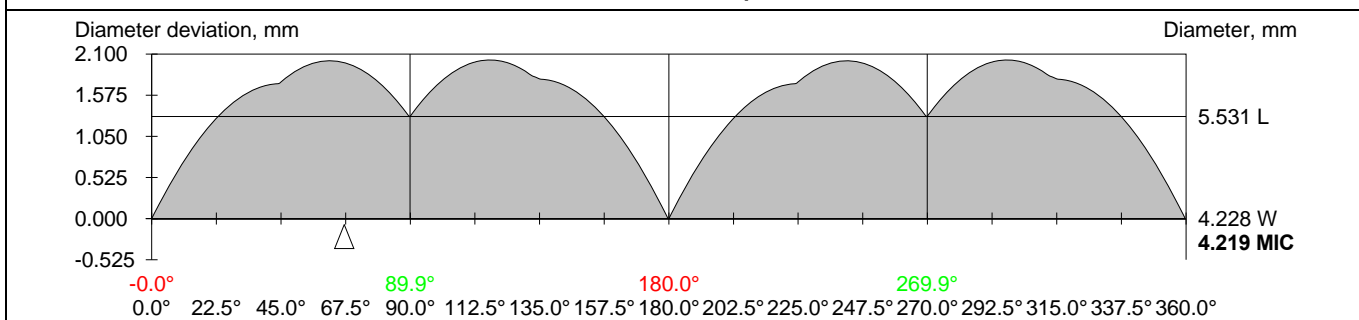


Invisible edges are drawn taking refraction into account

Plots

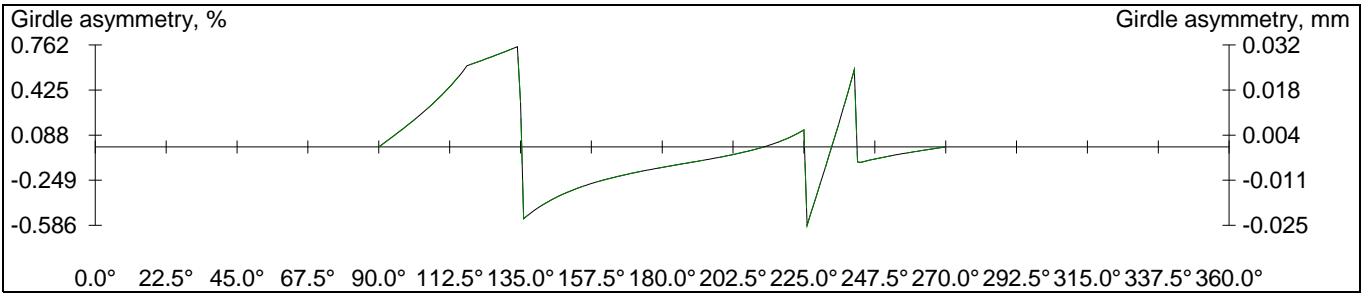
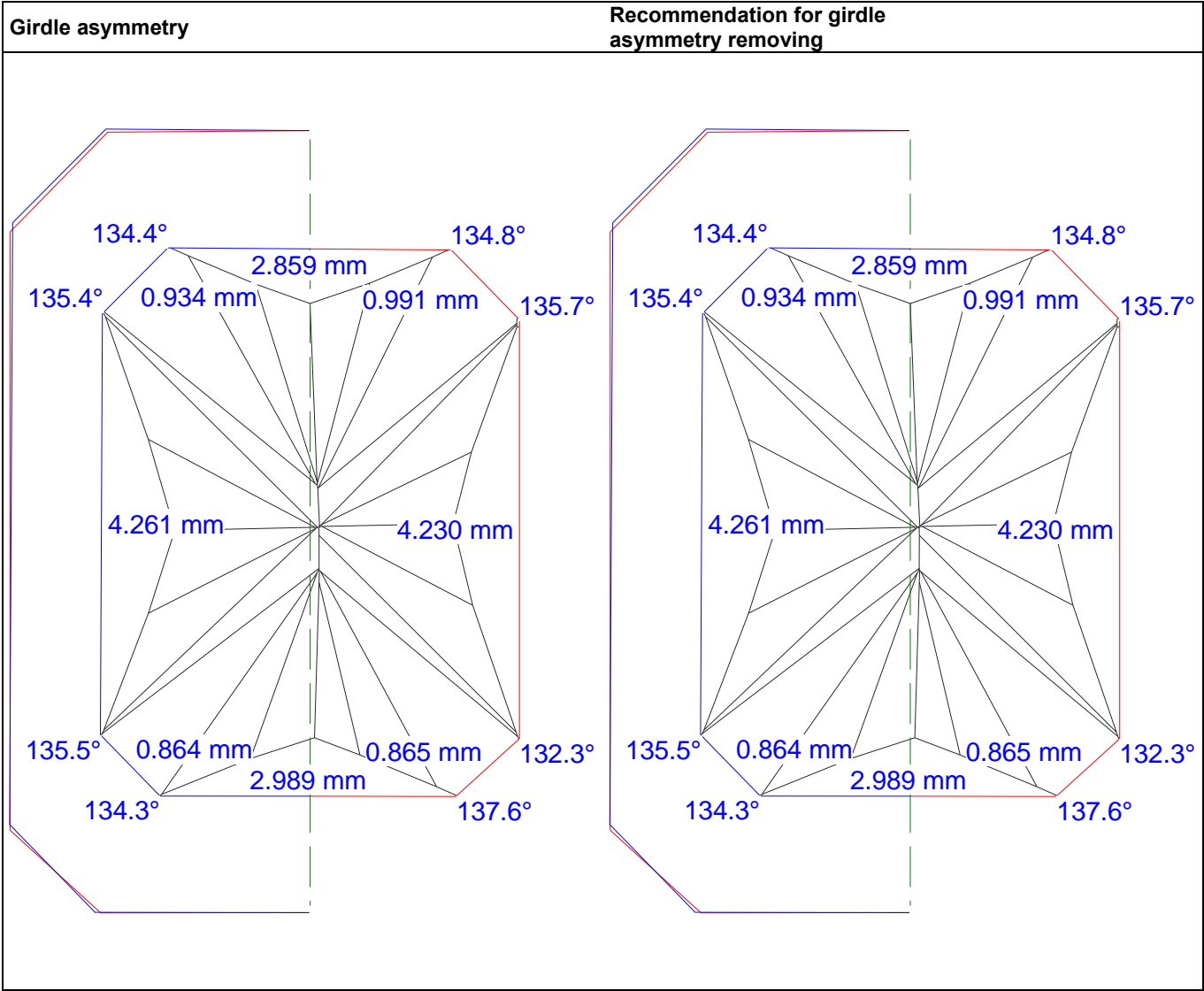


Girdle thickness plot

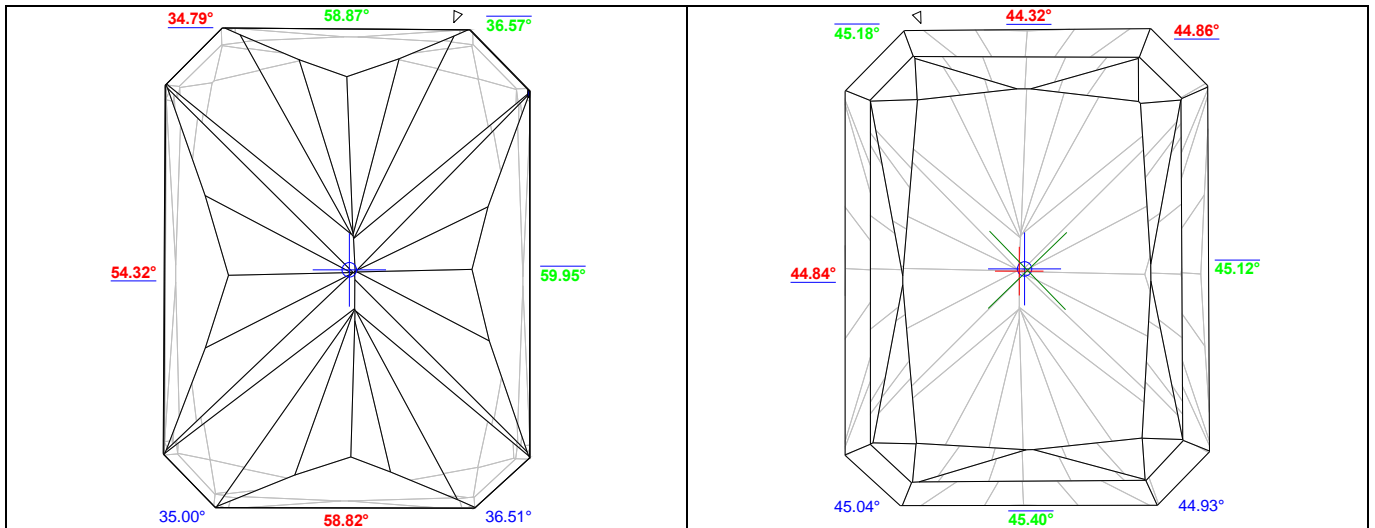


Diameter variation plot

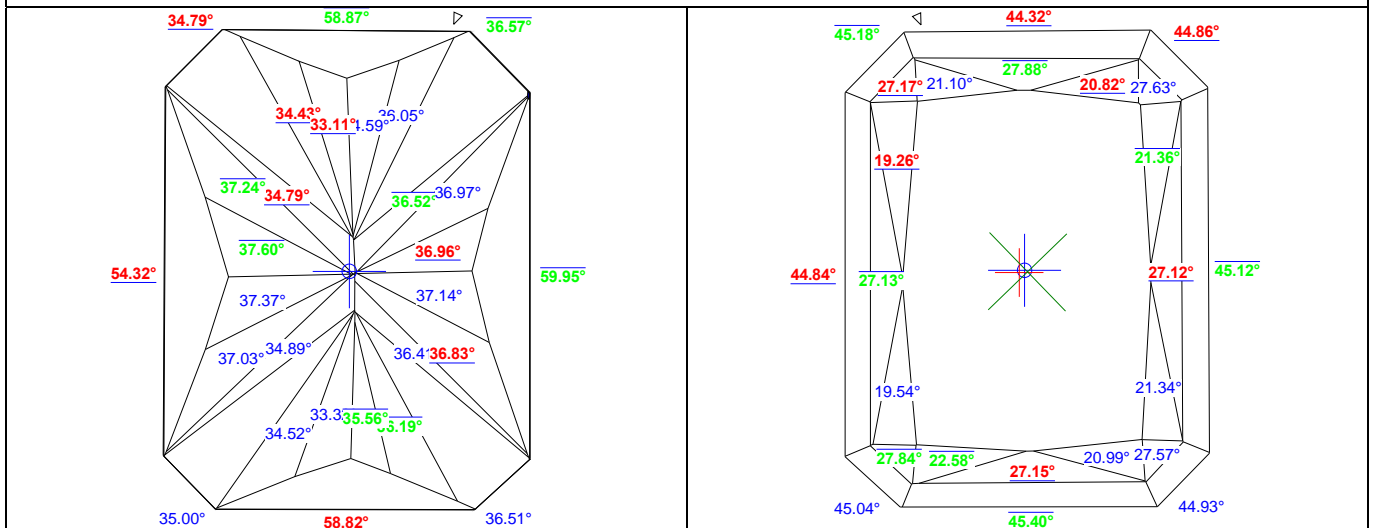
Girdle asymmetry



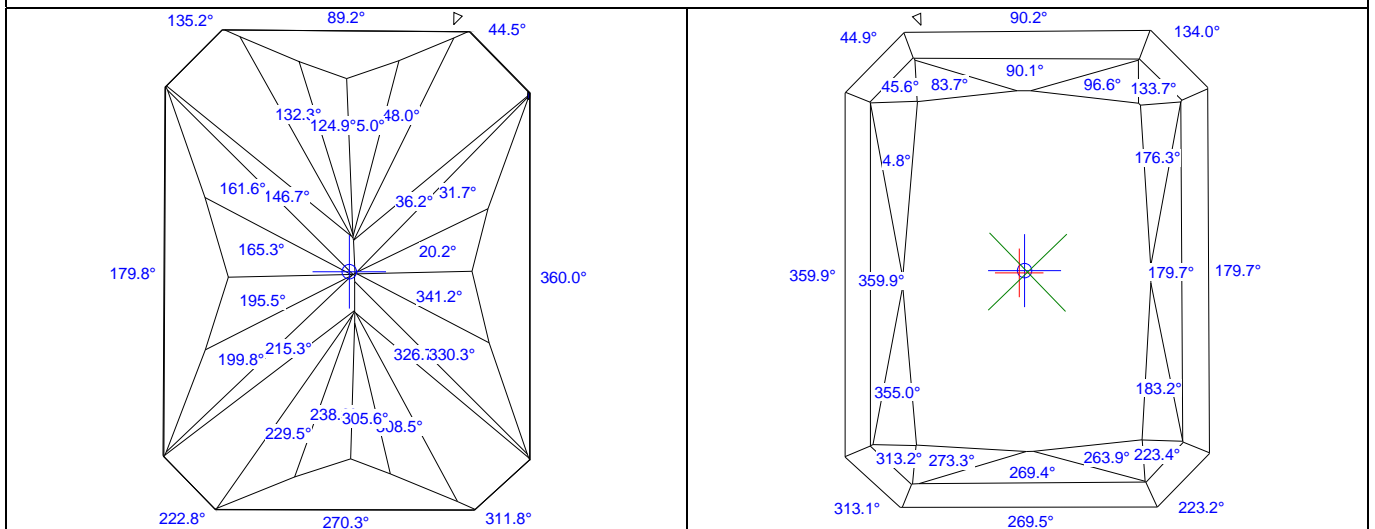
Facets slope and azimuth angles



Pavilion and crown views of the diamond with indication of main facets slope angles
 Invisible edges are drawn taking refraction into account

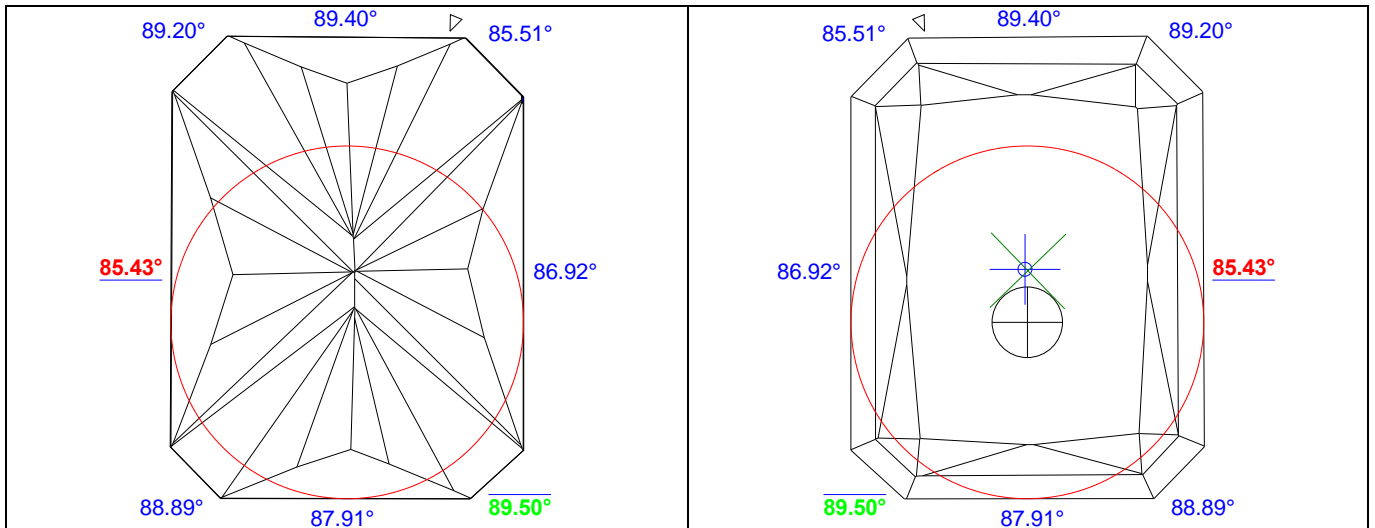


Pavilion and crown views of the diamond with indication of facets slope angles

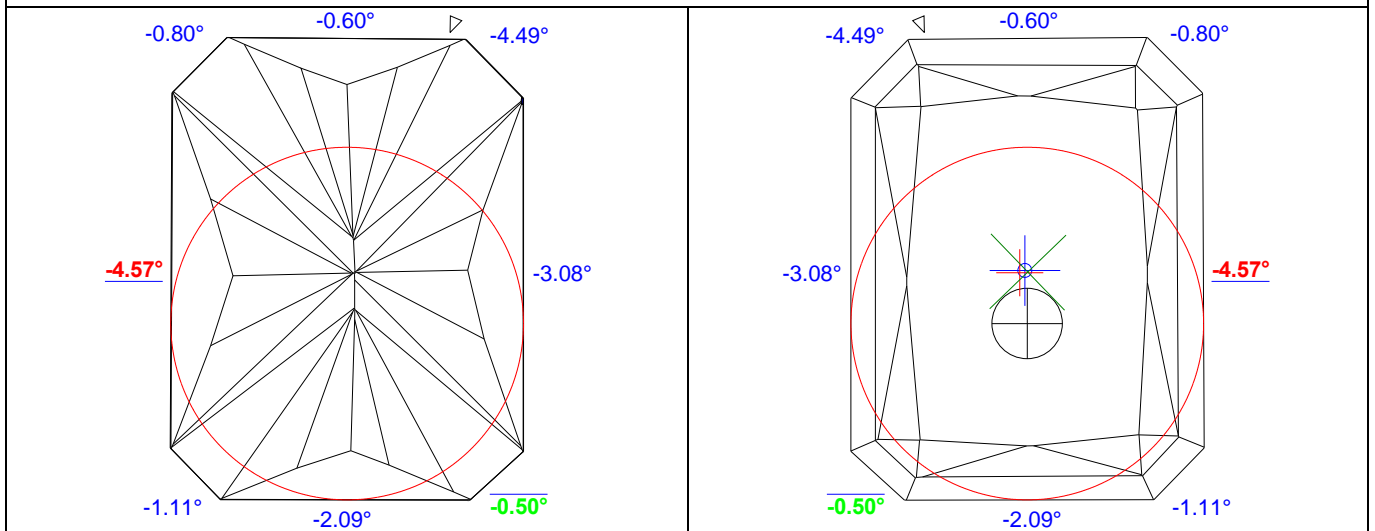


Pavilion and crown views of the diamond with indication of facets azimuth angles

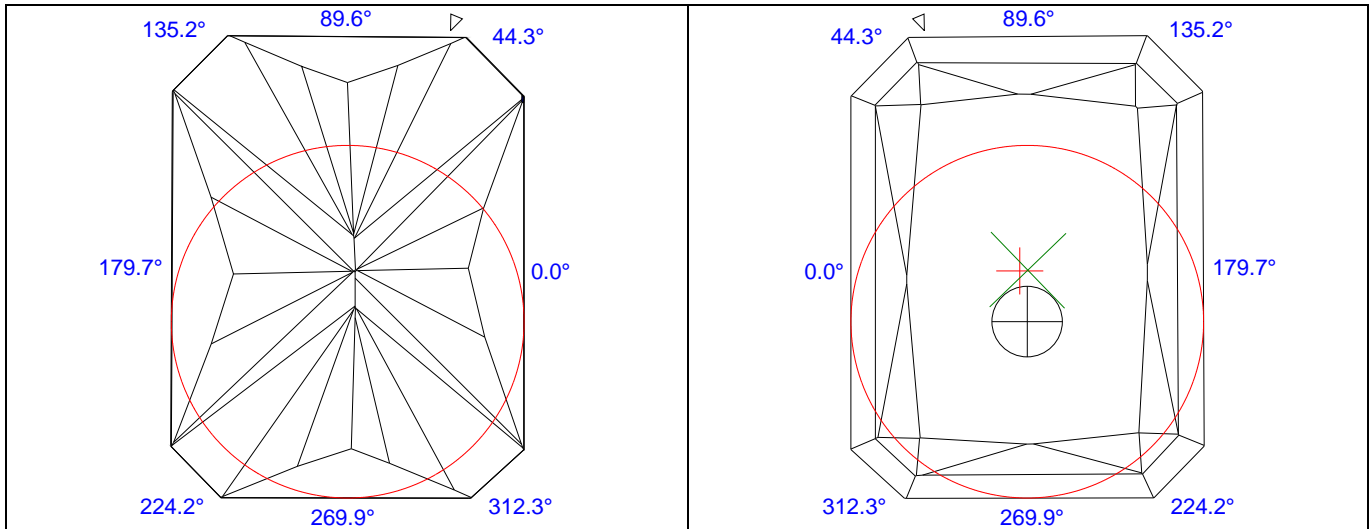
Girdle facets slope and azimuth angles



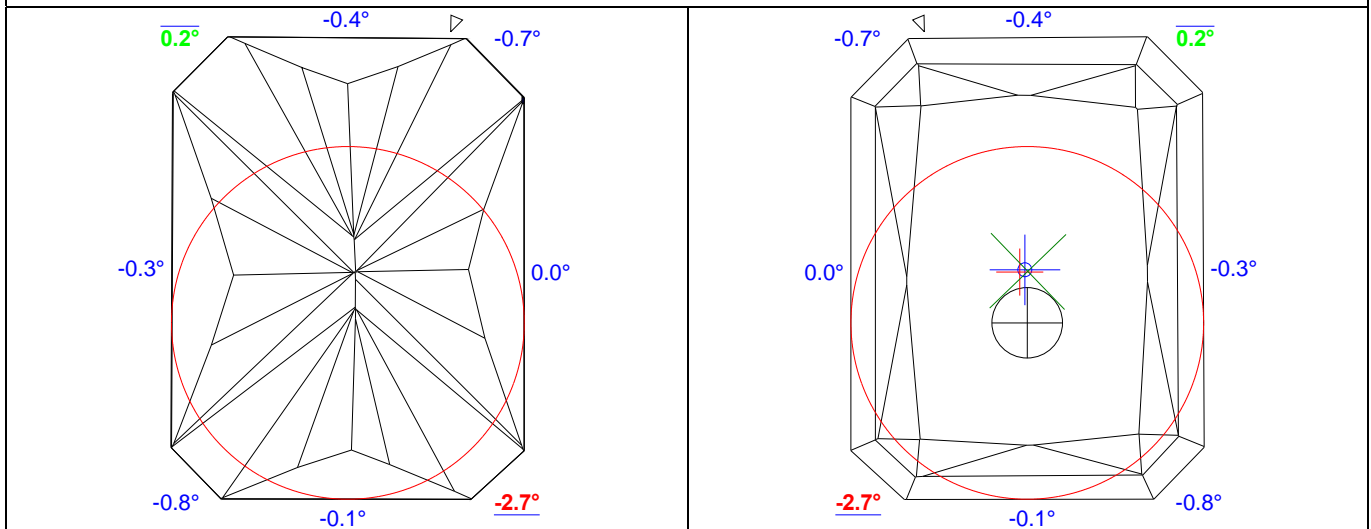
Pavilion and crown views of the diamond with indication of girdle facets slope angles



Pavilion and crown views of the diamond with indication of deviation of girdle facets slope angles from there ideal (90°)

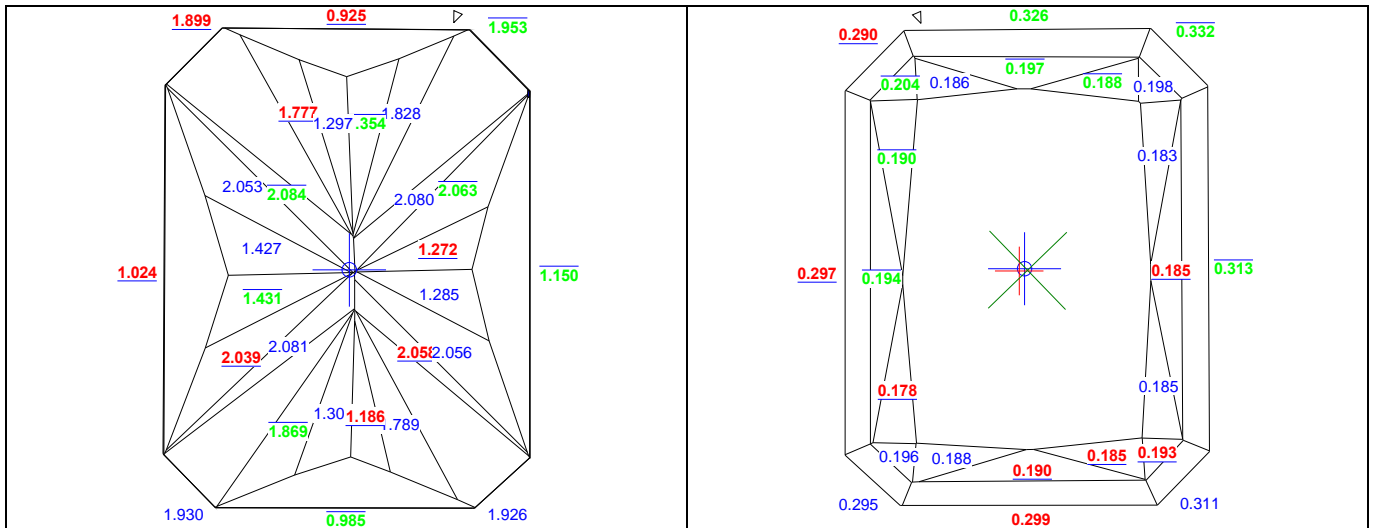


Pavilion and crown views of the diamond with indication of girdle facets azimuth angles

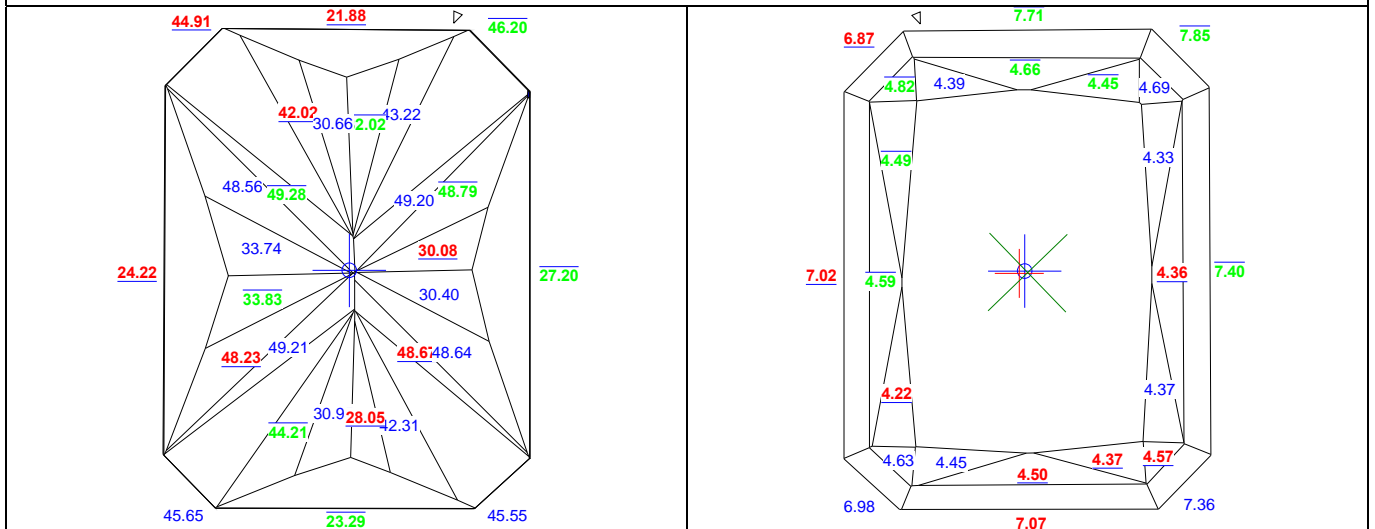


Pavilion and crown views of the diamond with indication of deviation of girdle facets azimuth angles

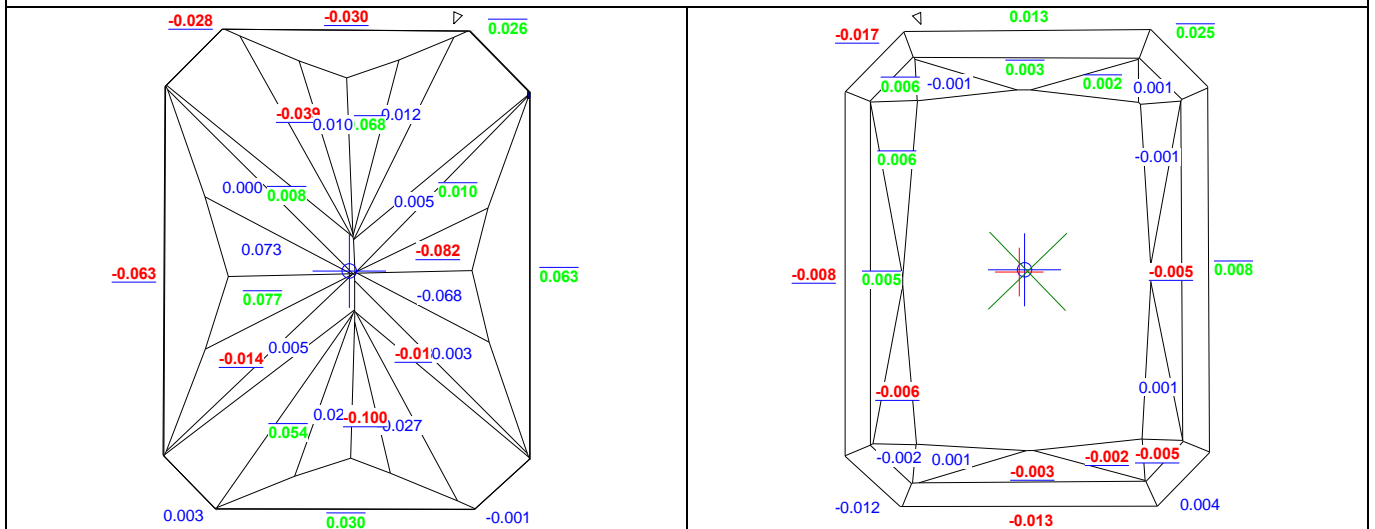
Facets heights



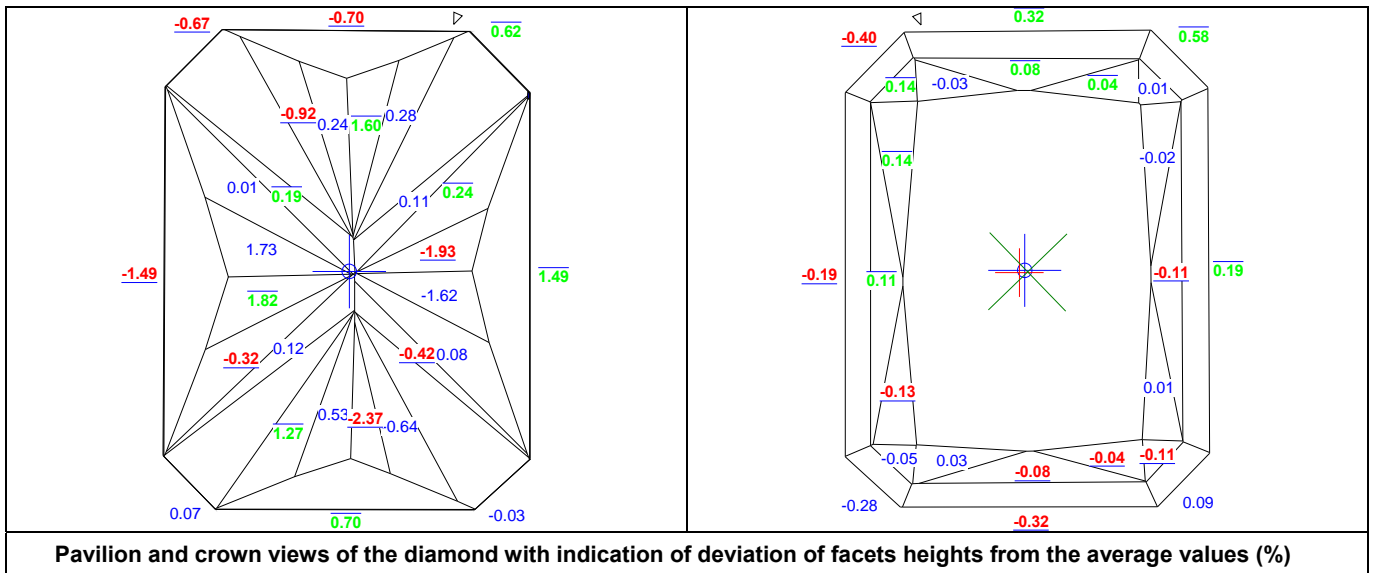
Pavilion and crown views of the diamond with indication of facets heights (mm)



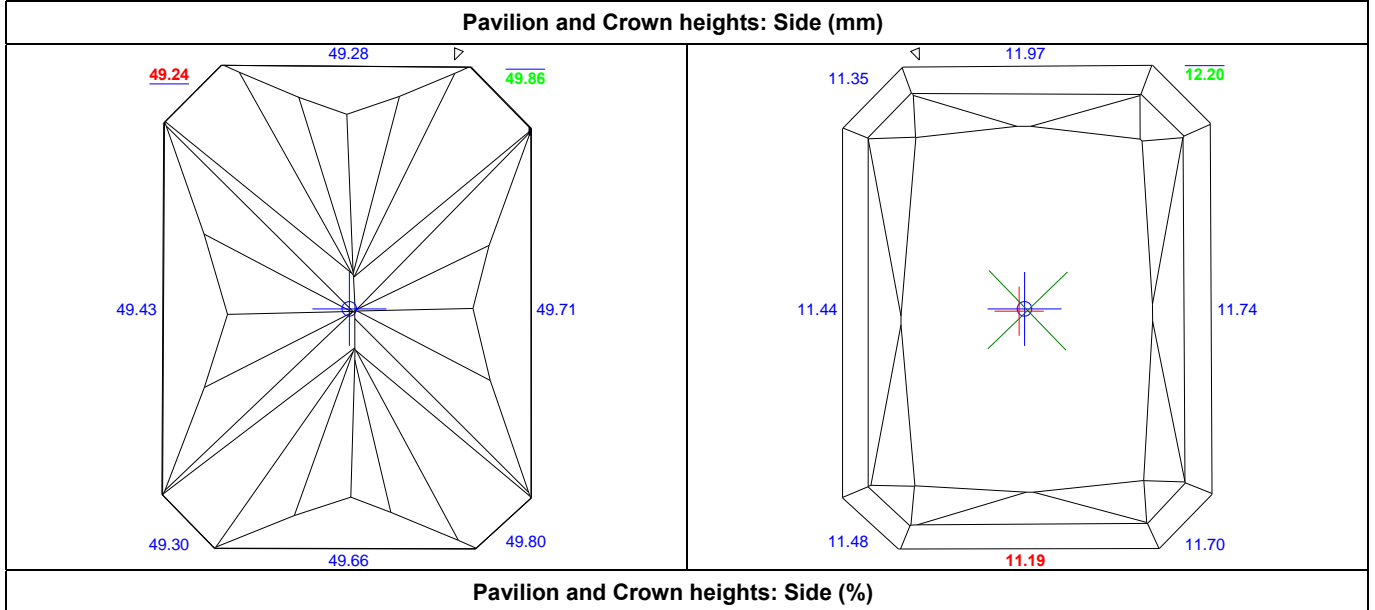
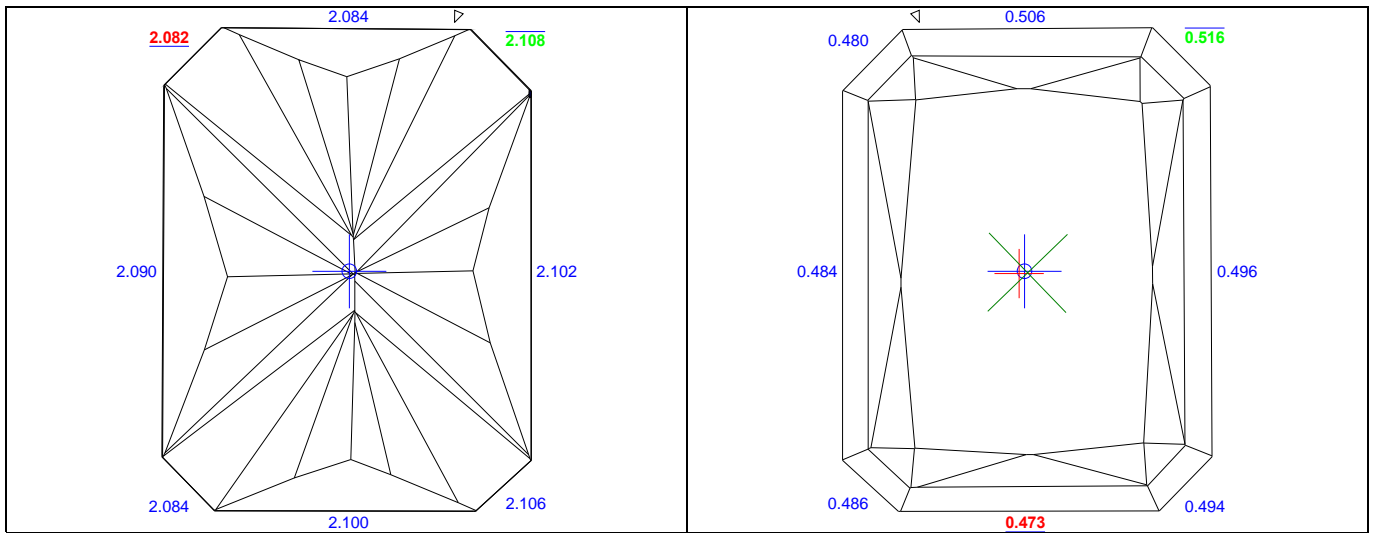
Pavilion and crown views of the diamond with indication of facets heights (%)

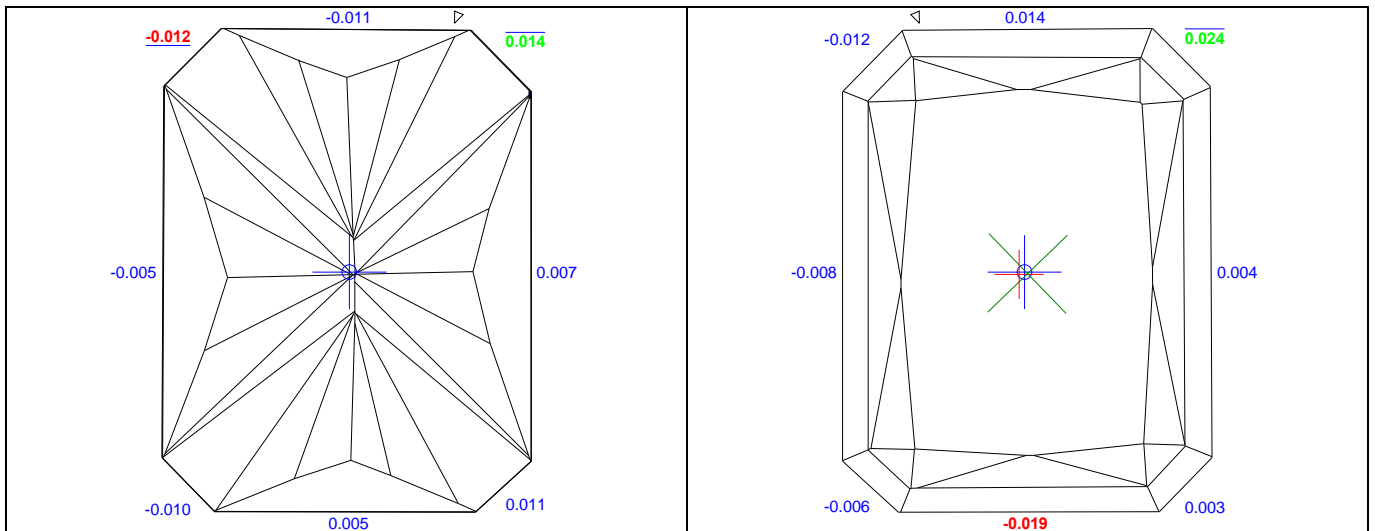


Pavilion and crown views of the diamond with indication of deviation of facets heights from the average values (mm)

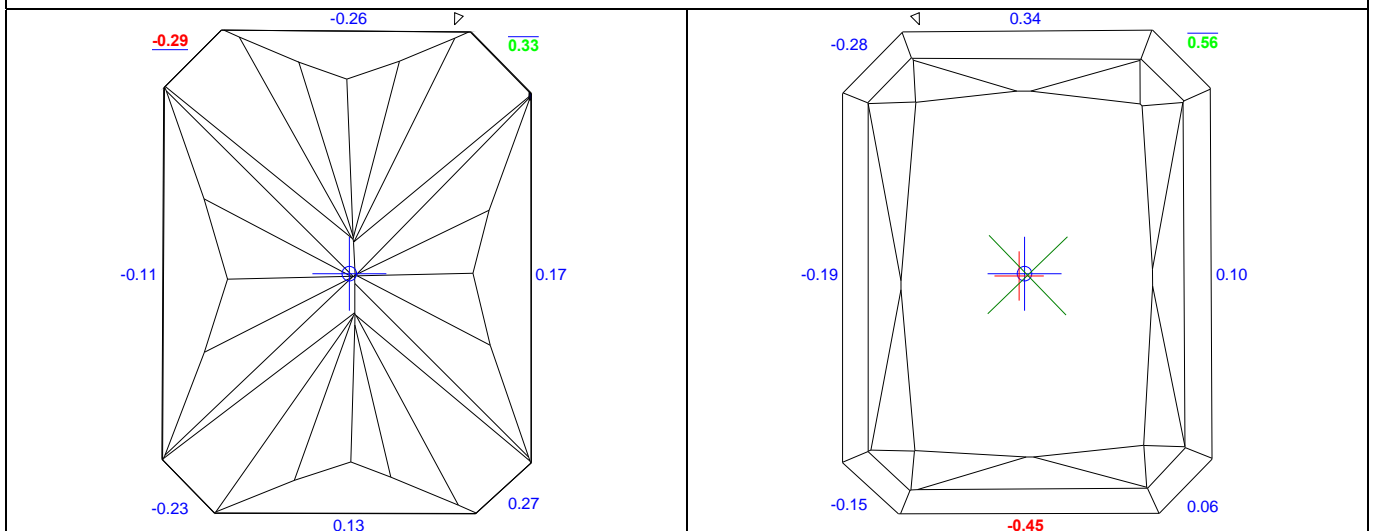


Pavilion and Crown heights: Side



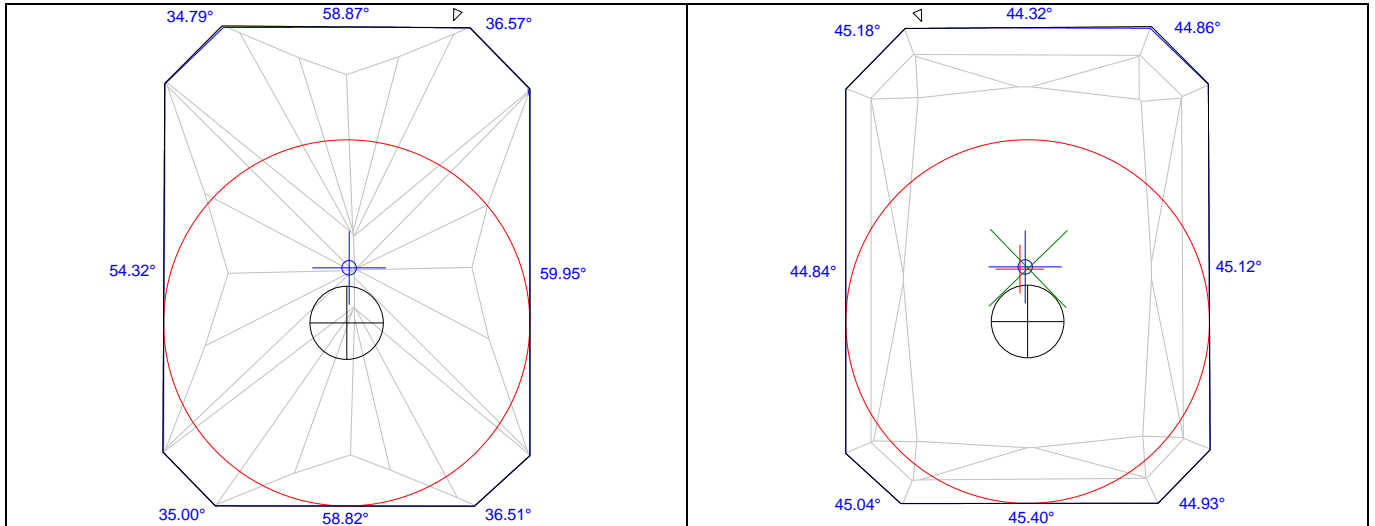


Deviations of Pavilion and Crown heights: Side from the average values (mm)

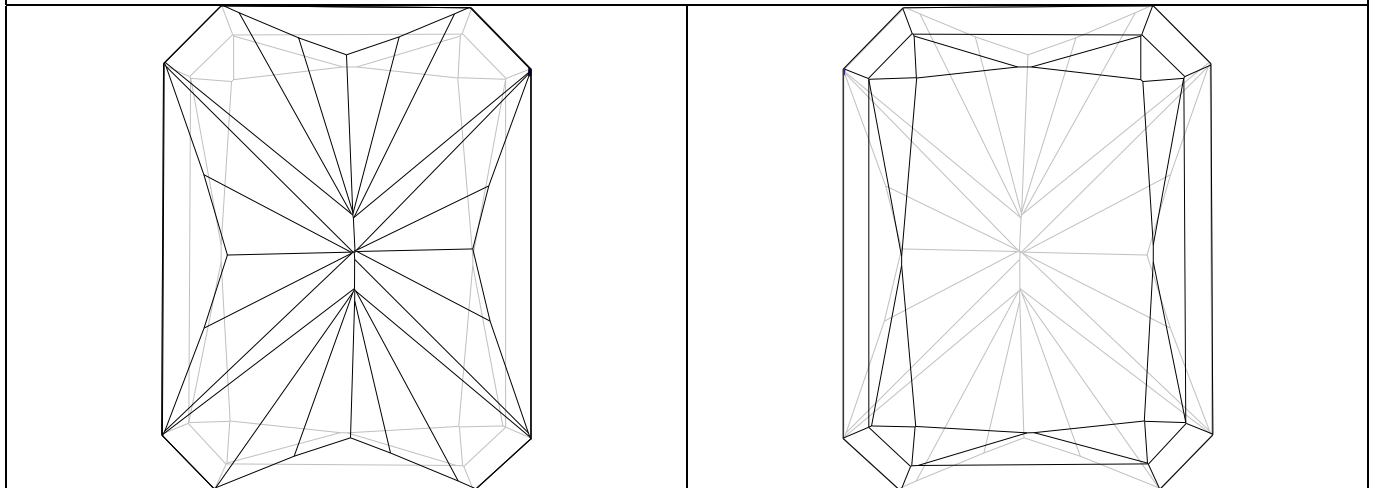


Deviations of Pavilion and Crown heights: Side from the average values (%)

Additional Illustrations



Pavilion and crown views of the diamond with indication of the maximum circle that may be inscribed (MIC) in the girdle outline along with the section of the model in the circle's plane



Pavilion and crown views of the diamond with indication of invisible edges without refraction



Girdle center



Culet center



Table center



MIC center