

# ILLUSTRATED REPORT FOR CUSHION

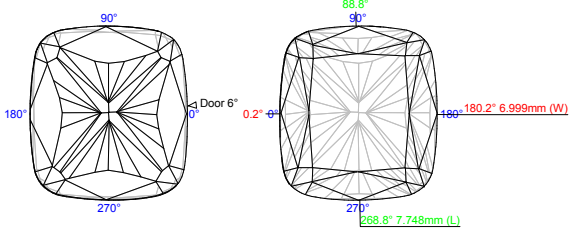
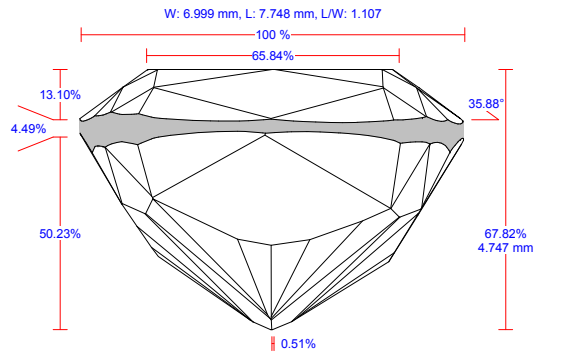
Polished Cushion

10.09.2010

Model Simple  
 Expert name Makoed A.G.  
 Real weight, ct  
 Calculated weight, ct 2.24, 2.2424  
 Spread -0.39 ct, -20.76 %  
 Extra Facet Girdle / Nat No

| Width    | Length   | Ratio (L/W) | Corner Ratio | Diameter Minimum | Diameter Maximum | Total height        |
|----------|----------|-------------|--------------|------------------|------------------|---------------------|
| 6.999 mm | 7.748 mm | 1.107       | 1.007        | 6.999 mm         | 8.800 mm         | 4.747 mm<br>67.82 % |

| Crn height width | Crn height length | Pav height width | Pav height length | Table: Side | Culet    | Girdle   |
|------------------|-------------------|------------------|-------------------|-------------|----------|----------|
| 0.917 mm         | 0.906 mm          | 3.516 mm         | 3.548 mm          | 4.862 mm    | 0.036 mm | 0.321 mm |



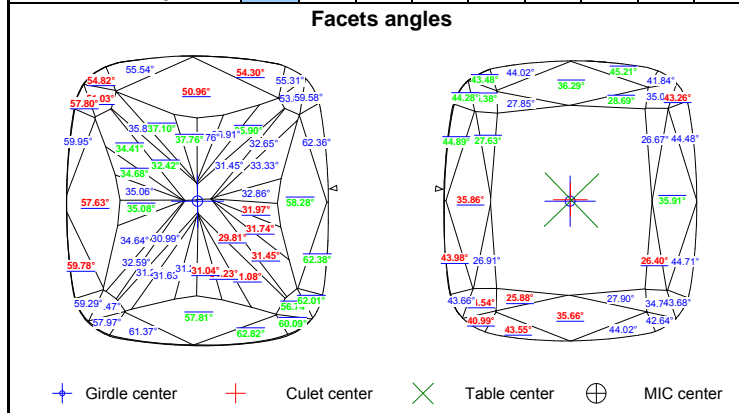
Appraiser title  
 Overall cut quality  
 Symmetry appraiser title  
 Overall symmetry quality

GIA\_PCTG\_StarCul  
 N/A  
 Internal  
 PR

|                     |  |
|---------------------|--|
| <b>Color</b>        |  |
| <b>Clarity</b>      |  |
| <b>Polish</b>       |  |
| <b>Fluorescence</b> |  |

| Parameters                      | Avg    | Min    | Max    | Dev  | 1      | 2      | 3     | 4     |
|---------------------------------|--------|--------|--------|------|--------|--------|-------|-------|
| Crown height width, %           | 13.10  | 12.80  | 13.40  | 0.61 | 13.40  | 12.80  |       |       |
| Crown height length, %          | 12.95  | 12.94  | 12.95  | 0.01 | 12.94  | 12.95  |       |       |
| Crown height corner, %          | 11.82  | 11.09  | 12.30  | 1.21 | 12.28  | 11.09  | 11.62 | 12.30 |
| Pavilion height width, %        | 50.23  | 49.41  | 51.05  | 1.64 | 49.41  | 51.05  |       |       |
| Pavilion height length, %       | 50.69  | 50.15  | 51.23  | 1.08 | 51.23  | 50.15  |       |       |
| Pavilion height corner, %       | 48.32  | 47.88  | 48.83  | 0.95 | 48.83  | 48.36  | 48.21 | 47.88 |
| Table: Side, %                  | 65.84  | 63.84  | 67.85  | 4.01 | 63.84  | 67.85  |       |       |
| Table: Corner w.r.t. Corner, %  | 72.94  | 72.63  | 73.26  | 0.64 | 72.63  | 73.26  |       |       |
| Table: Corner w.r.t. Width, %   | 91.42  | 90.72  | 92.11  | 1.39 | 90.72  | 92.11  |       |       |
| Diameter: Corner, %             | 125.32 | 124.92 | 125.73 | 0.81 | 124.92 | 125.73 |       |       |
| Crown Main Width height, %      | 13.11  | 12.82  | 13.40  | 0.58 | 13.40  | 12.82  |       |       |
| Crown Main Length height, %     | 12.95  | 12.94  | 12.95  | 0.01 | 12.94  | 12.95  |       |       |
| Pavilion Main height, %         | 29.35  | 28.61  | 30.29  | 1.68 | 28.61  | 29.35  | 30.29 | 29.15 |
| Girdle thickness, %             | 4.59   | 2.25   | 9.05   | 6.80 |        |        |       |       |
| Culet, %                        | 0.51   | 0.31   | 0.59   | 0.28 |        |        |       |       |
| Crown Main Width angle, °       | 35.88  | 35.86  | 35.91  | 0.05 | 35.86  | 35.91  |       |       |
| Crown Main Length angle, °      | 35.97  | 35.66  | 36.29  | 0.64 | 36.29  | 35.66  |       |       |
| Crown Corner angle, °           | 34.93  | 34.54  | 35.38  | 0.83 | 35.38  | 35.06  | 34.76 | 34.54 |
| Crown Star Width angle, °       | 26.90  | 26.40  | 27.63  | 1.23 | 27.63  | 26.67  | 26.40 | 26.91 |
| Crown Star Length angle, °      | 27.58  | 25.88  | 28.69  | 2.82 | 27.85  | 28.69  | 27.90 | 25.88 |
| Pavilion Main angle, °          | 31.17  | 29.81  | 32.42  | 2.61 | 29.81  | 31.45  | 32.42 | 30.99 |
| Pavilion Girdle Width angle, °  | 57.96  | 57.63  | 58.28  | 0.65 | 58.28  | 57.63  | N/A   | N/A   |
| Pavilion Girdle Length angle, ° | 54.38  | 50.96  | 57.81  | 6.85 | 50.96  | 57.81  | N/A   | N/A   |
| Pavilion Corner angle, °        | 54.02  | 51.03  | 56.74  | 5.70 | 53.86  | 51.03  | 54.47 | 56.74 |

| Girdle thickness, %            | Type   | Avg  | Min  | Max  | Dev  | 1    | 2    | 3    | 4    |
|--------------------------------|--------|------|------|------|------|------|------|------|------|
| Girdle thickness Width         | red    | 4.42 | 3.84 | 5.01 | 1.17 | 5.01 | 3.84 |      |      |
| Girdle thickness Length        | red    | 4.18 | 3.65 | 4.72 | 1.07 | 3.65 | 4.72 |      |      |
| Girdle thickness Corner        | red    | 7.91 | 7.06 | 9.16 | 2.10 | 7.06 | 9.16 | 8.00 | 7.43 |
| Girdle thickness Width         | green  | 3.18 | 2.25 | 3.89 | 1.64 | 3.89 | 3.65 | 2.25 | 2.92 |
| Girdle thickness Length        | green  | 2.88 | 2.54 | 3.49 | 0.95 | 2.54 | 2.67 | 3.49 | 2.81 |
| Girdle thickness Corner width  | green  | 5.81 | 4.81 | 7.83 | 3.03 | 5.66 | 7.83 | 4.96 | 4.81 |
| Girdle thickness Corner length | green  | 6.58 | 5.98 | 7.12 | 1.14 | 5.98 | 7.12 | 6.57 | 6.67 |
| Girdle thickness Width         | yellow | 7.16 | 5.85 | 8.47 | 2.62 | 8.47 | 5.85 | N/A  | N/A  |
| Girdle thickness Length        | N/A    | N/A  | N/A  | N/A  | N/A  | N/A  | N/A  | N/A  | N/A  |
| Girdle thickness Corner width  | yellow | 7.53 | 5.52 | 9.54 | 4.02 | 9.54 | 5.52 | N/A  | N/A  |
| Girdle thickness Corner length | yellow | 7.72 | 6.08 | 9.13 | 3.04 | 6.08 | 8.04 | 7.62 | 9.13 |
| Girdle thickness Width         | N/A    | N/A  | N/A  | N/A  | N/A  | N/A  | N/A  | N/A  | N/A  |
| Girdle thickness Length        | N/A    | N/A  | N/A  | N/A  | N/A  | N/A  | N/A  | N/A  | N/A  |



|                                   |                  |                   |
|-----------------------------------|------------------|-------------------|
| Girdle-Culet offset by table axis | 0.59 ± 0.28, %   | 0.042 ± 0.019, mm |
| Girdle-Table offset by table axis | 0.66 ± 0.25, %   | 0.046 ± 0.017, mm |
| Table-Culet offset by table axis  | 0.45 ± 0.29, %   | 0.031 ± 0.020, mm |
| Girdle to table-culet line offset | 0.61 %, 0.043 mm |                   |

