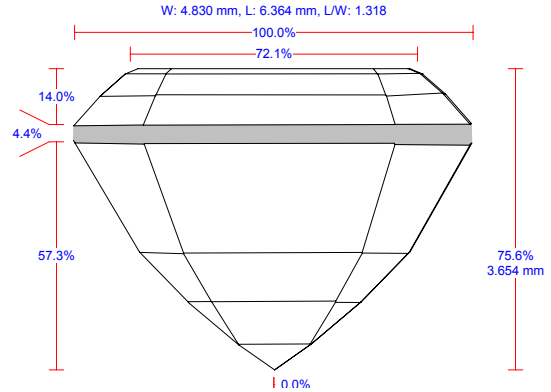


General information

Model Simple  
 Expert name Makoed A.G.  
 Report date 05.04.2007  
 Real weight, ct  
 Calculated weight, ct 1.05, 1.0523  
 Appraiser title AGS\_2005  
 Overall cut quality N/A  
 Symmetry appraiser title Internal  
 Overall symmetry quality PR  
 Spread -0.21 ct, -25.69 %  
 EF / Nat No



Main parameters

Parameter		Avg	Min	Max	Dev	Cut	Sym
Width, length	mm		4.830	6.364	Ratio: 1.318	N/A	
Crown height	%	14.02	13.87	14.20	0.34	N/A	EX
Crown height	mm	0.677	0.670	0.686	0.016		
Pavilion height	%	57.26	56.86	57.66	0.81	N/A	VG
Pavilion height	mm	2.766	2.746	2.785	0.039		
Total height	%	75.65				N/A	
Total height	mm	3.654					
Table	%	72.08	68.24	75.92	7.68	N/A	PR
Table	mm	4.064	3.296	4.832	1.536		
Culet	%	0.00	0.00	0.00	0.00	N/A	EX
Culet	mm	0.000	0.000	0.000	0.000		
Culet length	%	0.23					
Culet length	mm	1.485					
Girdle thickness	%	4.36	3.82	4.85	1.03		GD
Girdle thickness	mm	0.211	0.184	0.234	0.050		
Crown Main 1 angle	°	48.37	48.07	48.66	0.59		
Crown Main 1 height	%	7.71	7.64	7.80	0.16		
Crown Main 1 height	mm	0.372	0.369	0.377	0.008		
Crown Main 2 angle	°	41.16	40.84	41.46	0.61		
Crown Main 2 height	%	5.26	5.11	5.49	0.38		
Crown Main 2 height	mm	0.254	0.247	0.265	0.018		
Crown Main 3 angle	°	22.37	21.97	22.70	0.73		
Crown Main 3 height	%	1.30	1.22	1.33	0.12		
Crown Main 3 height	mm	0.063	0.059	0.064	0.006		
Crown Main 4 angle	°	N/A	N/A	N/A	N/A		
Crown Main 4 height	%	N/A	N/A	N/A	N/A		
Crown Main 4 height	mm	N/A	N/A	N/A	N/A		
Crown Main 5 angle	°	N/A	N/A	N/A	N/A		
Crown Main 5 height	%	N/A	N/A	N/A	N/A		
Crown Main 5 height	mm	N/A	N/A	N/A	N/A		
Crown Corner 1 angle	°	48.54	47.48	49.09	1.60		
Crown Corner 1 height	%	7.74	7.53	7.90	0.37		
Crown Corner 1 height	mm	0.374	0.364	0.382	0.018		
Crown Corner 2 angle	°	41.37	40.84	42.02	1.17		
Crown Corner 2 height	%	5.48	5.24	5.69	0.44		
Crown Corner 2 height	mm	0.265	0.253	0.275	0.021		
Crown Corner 3 angle	°	22.33	21.73	22.94	1.21		
Crown Corner 3 height	%	1.31	1.30	1.32	0.02		
Crown Corner 3 height	mm	0.063	0.063	0.064	0.001		
Crown Corner 4 angle	°	N/A	N/A	N/A	N/A		
Crown Corner 4 height	%	N/A	N/A	N/A	N/A		
Crown Corner 4 height	mm	N/A	N/A	N/A	N/A		
Crown Corner 5 angle	°	N/A	N/A	N/A	N/A		
Crown Corner 5 height	%	N/A	N/A	N/A	N/A		
Crown Corner 5 height	mm	N/A	N/A	N/A	N/A		
Pavilion Main 1 angle	°	59.47	57.95	60.42	2.48		
Pavilion Main 1 height	%	27.73	27.38	28.11	0.73		
Pavilion Main 1 height	mm	1.339	1.322	1.358	0.035		
Pavilion Main 2 angle	°	45.83	45.73	45.93	0.20		
Pavilion Main 2 height	%	12.75	12.37	13.10	0.74		
Pavilion Main 2 height	mm	0.616	0.597	0.633	0.036		
Pavilion Main 3 angle	°	40.29	40.17	40.34	0.17		
Pavilion Main 3 height	%	10.60	10.44	10.83	0.39		
Pavilion Main 3 height	mm	0.512	0.504	0.523	0.019		

Parameter		Avg	Min	Max	Dev	Cut	Sym
Pavilion Main 4 angle	°	35.25	35.12	35.32	0.19		
Pavilion Main 4 height	%	6.59	6.52	6.72	0.20		
Pavilion Main 4 height	mm	0.318	0.315	0.325	0.010		
Pavilion Main 5 angle	°	N/A	N/A	N/A	N/A		
Pavilion Main 5 height	%	N/A	N/A	N/A	N/A		
Pavilion Main 5 height	mm	N/A	N/A	N/A	N/A		
Pavilion Corner 1 angle	°	56.32	55.29	57.84	2.55		
Pavilion Corner 1 height	%	27.93	27.33	28.64	1.31		
Pavilion Corner 1 height	mm	1.349	1.320	1.383	0.063		
Pavilion Corner 2 angle	°	42.54	42.17	42.71	0.54		
Pavilion Corner 2 height	%	12.45	12.12	12.90	0.77		
Pavilion Corner 2 height	mm	0.601	0.586	0.623	0.037		
Pavilion Corner 3 angle	°	38.23	37.96	38.52	0.56		
Pavilion Corner 3 height	%	10.70	10.54	10.84	0.29		
Pavilion Corner 3 height	mm	0.517	0.509	0.523	0.014		
Pavilion Corner 4 angle	°	N/A	N/A	N/A	N/A		
Pavilion Corner 4 height	%	N/A	N/A	N/A	N/A		
Pavilion Corner 4 height	mm	N/A	N/A	N/A	N/A		
Pavilion Corner 5 angle	°	N/A	N/A	N/A	N/A		
Pavilion Corner 5 height	%	N/A	N/A	N/A	N/A		
Pavilion Corner 5 height	mm	N/A	N/A	N/A	N/A		

## Detailed parameters

Parameter		1	2	3	4
Crown height	%	13.90	14.12	14.20	13.87
Crown height	mm	0.671	0.682	0.686	0.670
Pavilion height	%	56.89	56.86	57.62	57.66
Pavilion height	mm	2.748	2.746	2.783	2.785
Table	%	68.24	75.92		
Table	mm	3.296	4.832		
Girdle thickness	%	4.85	4.67	3.82	4.12
Girdle thickness	mm	0.234	0.225	0.184	0.199
Corner angle width	%	18.92	17.46	19.17	16.56
Corner angle width	mm	0.914	0.843	0.926	0.800
Corner angle length	%	17.72	18.30	17.20	17.75
Corner angle length	mm	0.856	0.884	0.831	0.857
Crown Main 1 angle	°	48.63	48.07	48.12	48.66
Crown Main 1 height	%	7.74	7.64	7.65	7.80
Crown Main 1 height	mm	0.374	0.369	0.369	0.377
Crown Main 1 azimuth	°	0.3	90.4	180.0	270.1
Crown Main 2 angle	°	41.05	40.84	41.28	41.46
Crown Main 2 height	%	5.13	5.30	5.49	5.11
Crown Main 2 height	mm	0.248	0.256	0.265	0.247
Crown Main 2 azimuth	°	0.3	90.4	180.0	270.1
Crown Main 3 angle	°	22.70	21.97	22.68	22.14
Crown Main 3 height	%	1.31	1.33	1.33	1.22
Crown Main 3 height	mm	0.063	0.064	0.064	0.059
Crown Main 3 azimuth	°	0.3	90.4	180.0	270.1
Crown Main 4 angle	°	N/A	N/A	N/A	N/A
Crown Main 4 height	%	N/A	N/A	N/A	N/A
Crown Main 4 height	mm	N/A	N/A	N/A	N/A
Crown Main 4 azimuth	°	N/A	N/A	N/A	N/A
Crown Main 5 angle	°	N/A	N/A	N/A	N/A
Crown Main 5 height	%	N/A	N/A	N/A	N/A
Crown Main 5 height	mm	N/A	N/A	N/A	N/A
Crown Main 5 azimuth	°	N/A	N/A	N/A	N/A
Crown Corner 1 angle	°	49.09	47.48	49.01	48.56
Crown Corner 1 height	%	7.86	7.53	7.90	7.66
Crown Corner 1 height	mm	0.380	0.364	0.382	0.370
Crown Corner 1 azimuth	°	47.0	136.8	227.3	317.1
Crown Corner 2 angle	°	42.02	41.45	40.84	41.16
Crown Corner 2 height	%	5.69	5.68	5.31	5.24
Crown Corner 2 height	mm	0.275	0.274	0.257	0.253
Crown Corner 2 azimuth	°	47.5	136.9	227.2	317.3
Crown Corner 3 angle	°	22.77	21.87	21.73	22.94
Crown Corner 3 height	%	1.32	1.30	1.31	1.30
Crown Corner 3 height	mm	0.064	0.063	0.063	0.063
Crown Corner 3 azimuth	°	48.2	136.9	226.4	317.7

Parameter		1	2	3	4
Crown Corner 4 angle	°	N/A	N/A	N/A	N/A
Crown Corner 4 height	%	N/A	N/A	N/A	N/A
Crown Corner 4 height	mm	N/A	N/A	N/A	N/A
Crown Corner 4 azimuth	°	N/A	N/A	N/A	N/A
Crown Corner 5 angle	°	N/A	N/A	N/A	N/A
Crown Corner 5 height	%	N/A	N/A	N/A	N/A
Crown Corner 5 height	mm	N/A	N/A	N/A	N/A
Crown Corner 5 azimuth	°	N/A	N/A	N/A	N/A
Pavilion Main 1 angle	°	60.42	60.12	59.41	57.95
Pavilion Main 1 height	%	27.38	27.54	28.11	27.89
Pavilion Main 1 height	mm	1.322	1.330	1.358	1.347
Pavilion Main 1 azimuth	°	0.1	90.2	180.1	270.2
Pavilion Main 2 angle	°	45.78	45.91	45.73	45.93
Pavilion Main 2 height	%	12.73	12.37	12.83	13.10
Pavilion Main 2 height	mm	0.615	0.597	0.619	0.633
Pavilion Main 2 azimuth	°	0.1	90.2	180.1	270.1
Pavilion Main 3 angle	°	40.29	40.33	40.17	40.34
Pavilion Main 3 height	%	10.57	10.83	10.44	10.55
Pavilion Main 3 height	mm	0.511	0.523	0.504	0.510
Pavilion Main 3 azimuth	°	0.0	90.1	180.1	270.1
Pavilion Main 4 angle	°	35.25	35.29	35.12	35.32
Pavilion Main 4 height	%	6.72	6.54	6.52	6.59
Pavilion Main 4 height	mm	0.325	0.316	0.315	0.318
Pavilion Main 4 azimuth	°	0.0	90.0	180.1	270.2
Pavilion Main 5 angle	°	N/A	N/A	N/A	N/A
Pavilion Main 5 height	%	N/A	N/A	N/A	N/A
Pavilion Main 5 height	mm	N/A	N/A	N/A	N/A
Pavilion Main 5 azimuth	°	N/A	N/A	N/A	N/A
Pavilion Corner 1 angle	°	57.84	56.75	55.29	55.40
Pavilion Corner 1 height	%	27.33	27.81	28.64	27.93
Pavilion Corner 1 height	mm	1.320	1.343	1.383	1.349
Pavilion Corner 1 azimuth	°	47.1	136.7	228.3	316.6
Pavilion Corner 2 angle	°	42.64	42.66	42.17	42.71
Pavilion Corner 2 height	%	12.43	12.34	12.90	12.12
Pavilion Corner 2 height	mm	0.600	0.596	0.623	0.586
Pavilion Corner 2 azimuth	°	47.2	137.2	229.3	316.5
Pavilion Corner 3 angle	°	38.05	38.39	38.52	37.96
Pavilion Corner 3 height	%	10.75	10.84	10.68	10.54
Pavilion Corner 3 height	mm	0.519	0.523	0.516	0.509
Pavilion Corner 3 azimuth	°	47.3	137.2	229.5	316.4
Pavilion Corner 4 angle	°	N/A	N/A	N/A	N/A
Pavilion Corner 4 height	%	N/A	N/A	N/A	N/A
Pavilion Corner 4 height	mm	N/A	N/A	N/A	N/A
Pavilion Corner 4 azimuth	°	N/A	N/A	N/A	N/A
Pavilion Corner 5 angle	°	N/A	N/A	N/A	N/A
Pavilion Corner 5 height	%	N/A	N/A	N/A	N/A
Pavilion Corner 5 height	mm	N/A	N/A	N/A	N/A
Pavilion Corner 5 azimuth	°	N/A	N/A	N/A	N/A
Girdle facet angle	°	88.55	88.47	88.29	88.54
Girdle facet azimuth	°	0.2	90.3	180.1	270.2
Girdle corner angle	°	89.71	88.72	89.02	88.98
Girdle corner azimuth	°	46.9	136.3	228.1	317.0

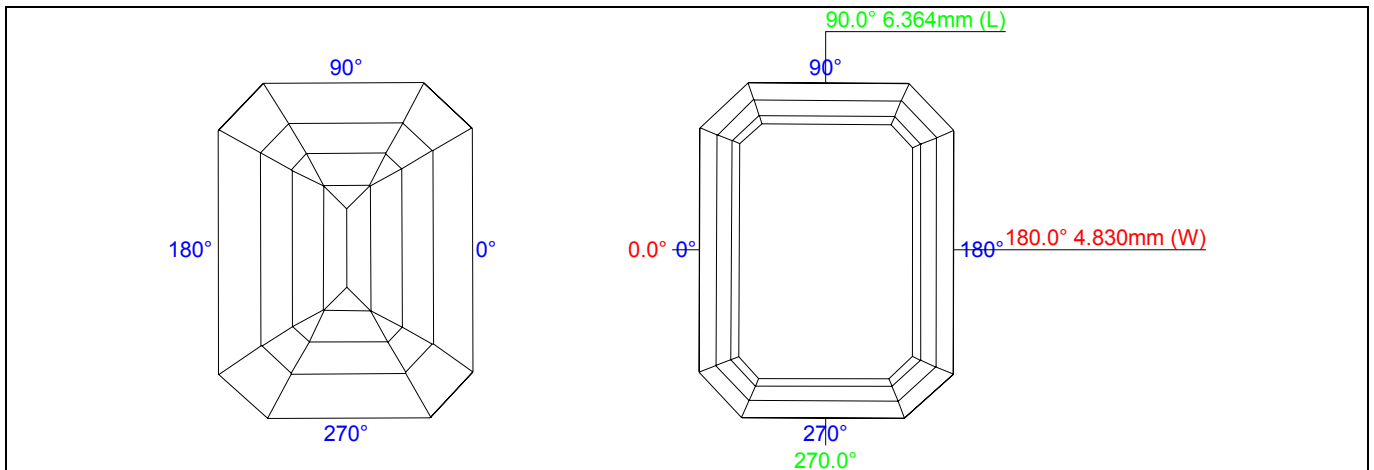
Girdle side width & length		1	2
Girdle side width	%	63.1	63.9
Girdle side width	mm	3.050	3.085
Girdle side length	%	95.8	95.8
Girdle side length	mm	4.625	4.629
Girdle side width-based length	%	95.8	95.8
Girdle side width-based length	mm	4.625	4.629

Offset		Distance	Width wise	Length wise
Culet-Table offset by table axis	%	5.15 ± 0.28	4.20	2.99
Culet-Table offset by table axis	mm	0.249 ± 0.014	0.203	0.144
Girdle-Culet offset by table axis	%	5.51 ± 0.27	4.06	3.74
Girdle-Culet offset by table axis	mm	0.266 ± 0.013	0.196	0.180
Girdle-Table offset by table axis	%	0.76 ± 0.23	0.14	0.74
Girdle-Table offset by table axis	mm	0.037 ± 0.011	0.007	0.036
Girdle to table-culet line offset	%	1.64		
Girdle to table-culet line offset	mm	0.079		

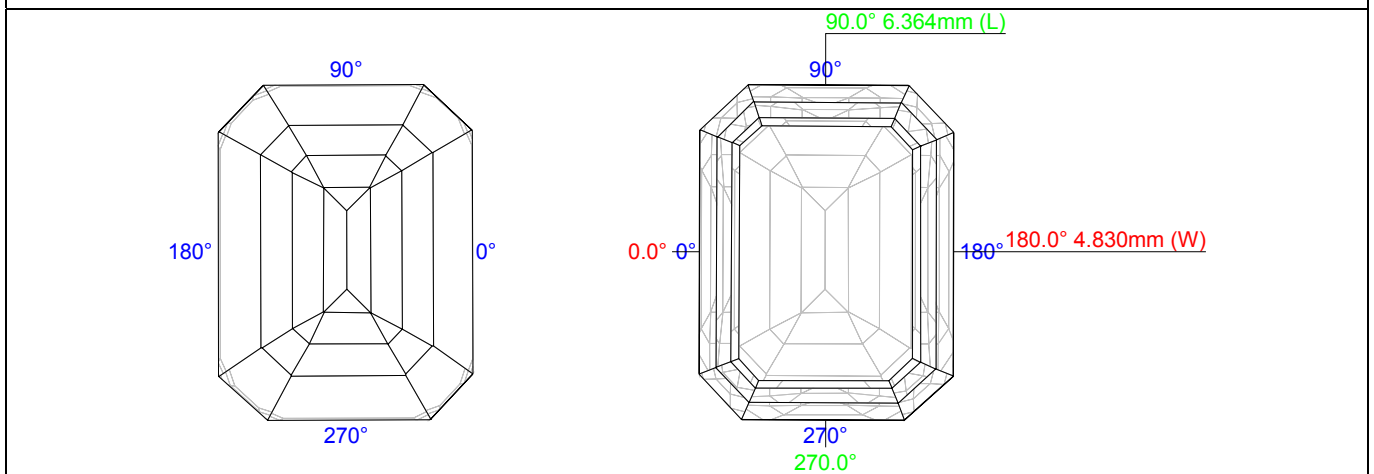
Culet shift ratio by width & length	
Width	4.830 mm, 100%
Width-wise culet shift ratio	2.226 mm, 46.09 %      2.604 mm, 53.91 %
Length	6.364 mm, 100%
Length-wise culet shift ratio	3.017 mm, 47.40 %      3.347 mm, 52.60 %

Culet shift ratio by main diameter	
Main diameter (width)	4.830 mm, 100%
Width-wise culet shift ratio	2.226 mm, 46.09 %      2.604 mm, 53.91 %
Length-wise culet shift ratio	3.017 mm, 62.46 %      3.347 mm, 69.31 %

# Crown and pavilion views of the diamond with indication of the diameter minimum and maximum

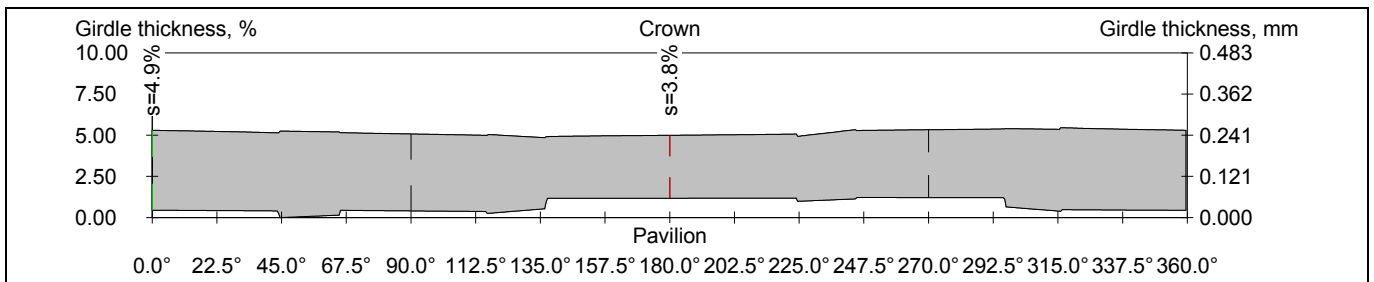


Invisible edges are hidden

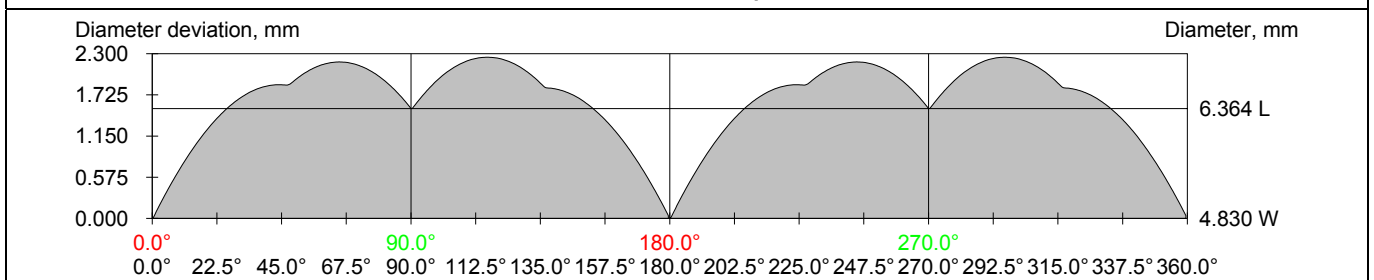


Invisible edges are drawn taking refraction into account

## Plots

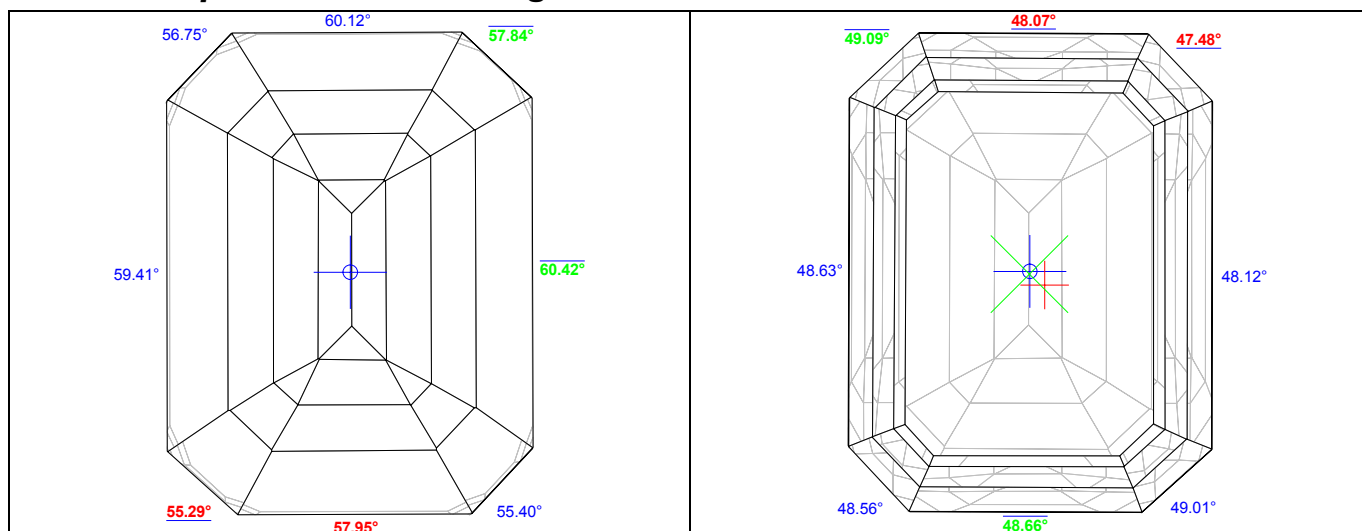


Girdle thickness plot

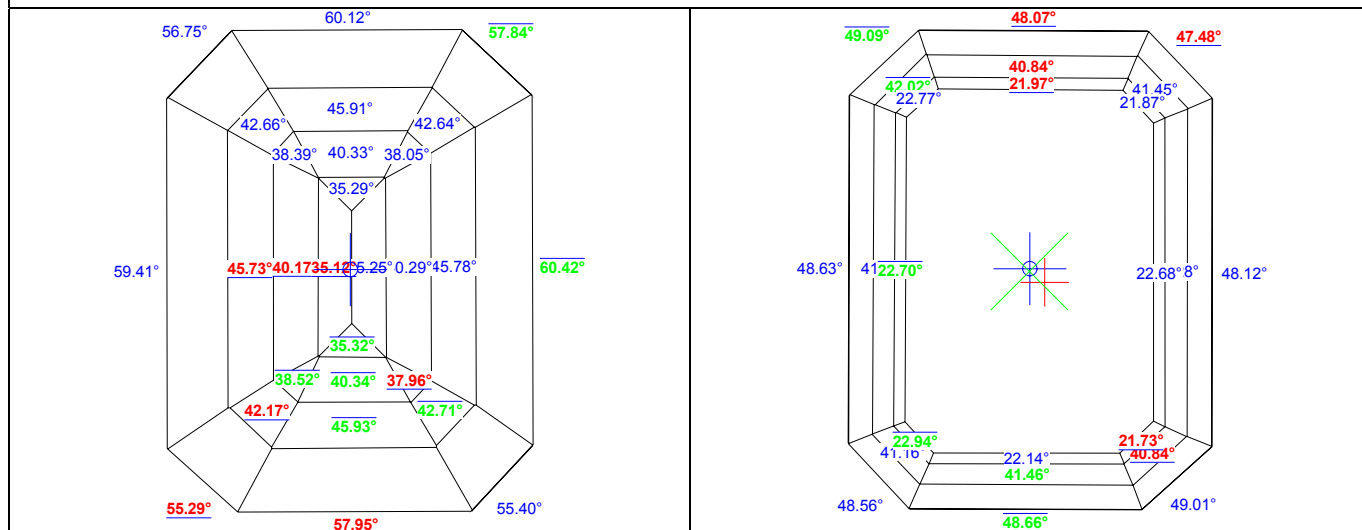


Diameter variation plot

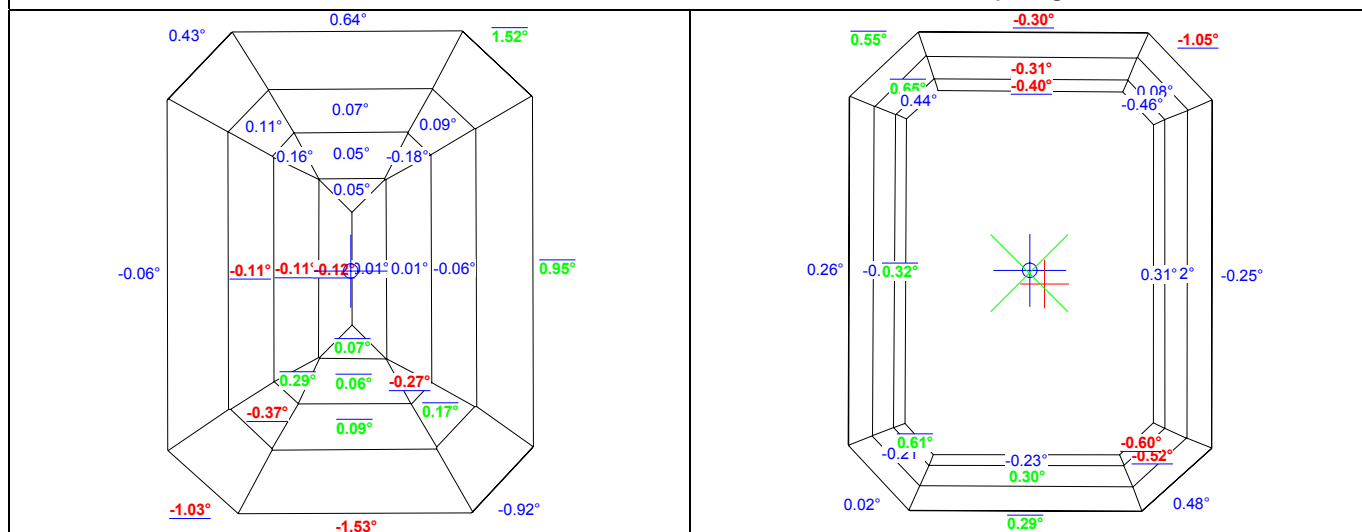
# Facets' slope and azimuth angles



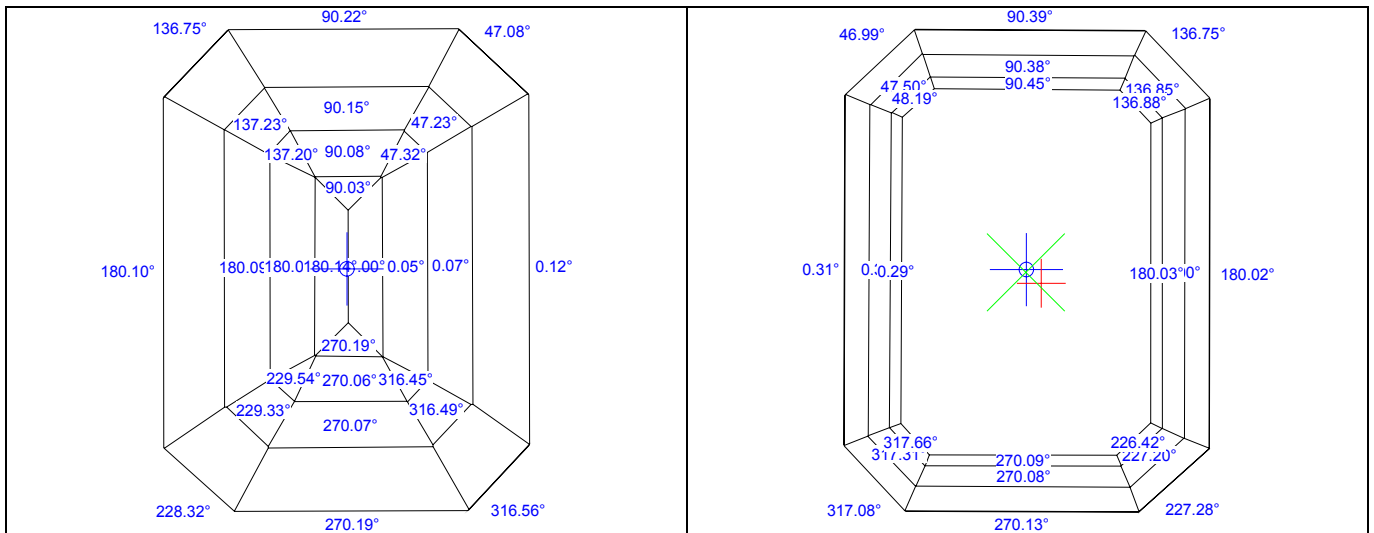
**Pavilion and crown views of the diamond with indication of main facets' slope angles**  
Invisible edges are drawn taking refraction into account



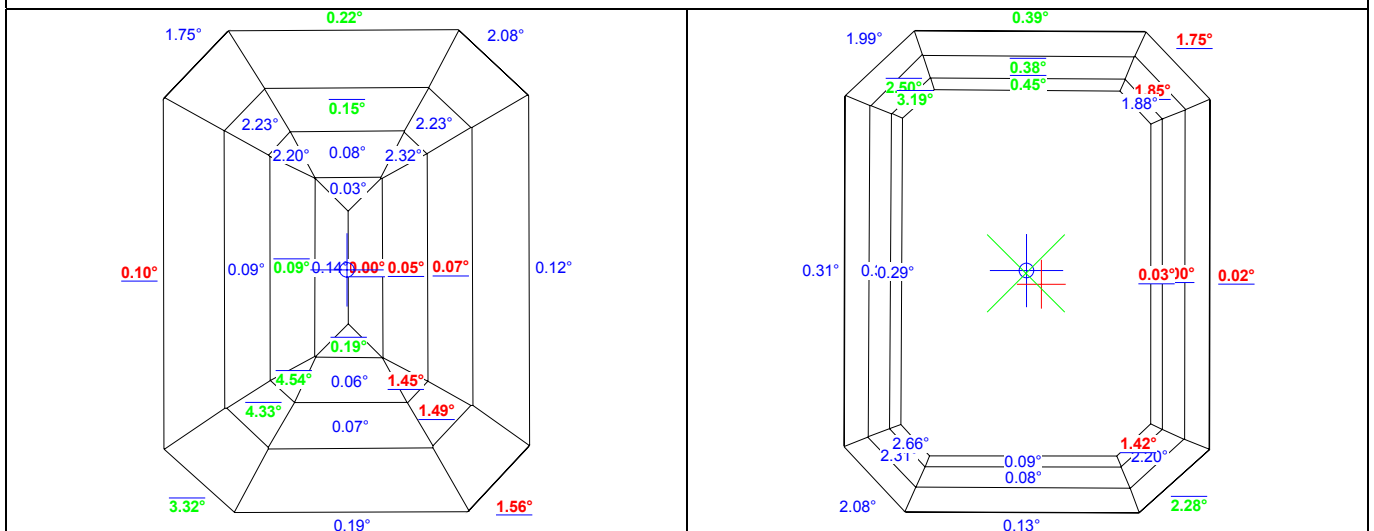
**Pavilion and crown views of the diamond with indication of facets' slope angles**



**Pavilion and crown views of the diamond with indication of deviation of facets' slope angles from the average values**

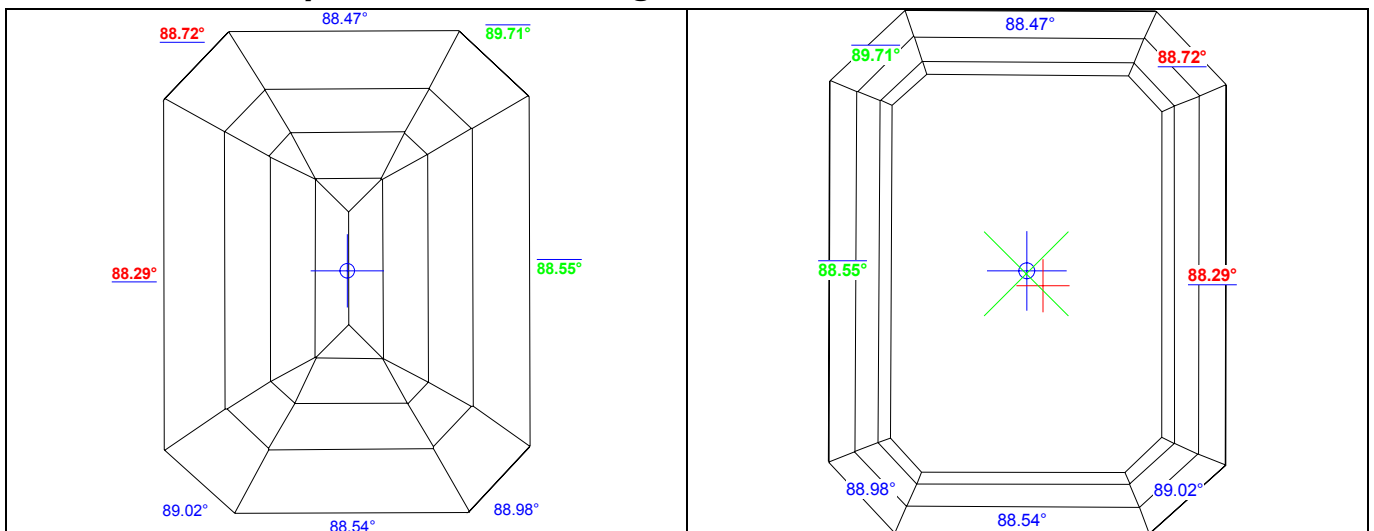


Pavilion and crown views of the diamond with indication of facets' azimuth angles

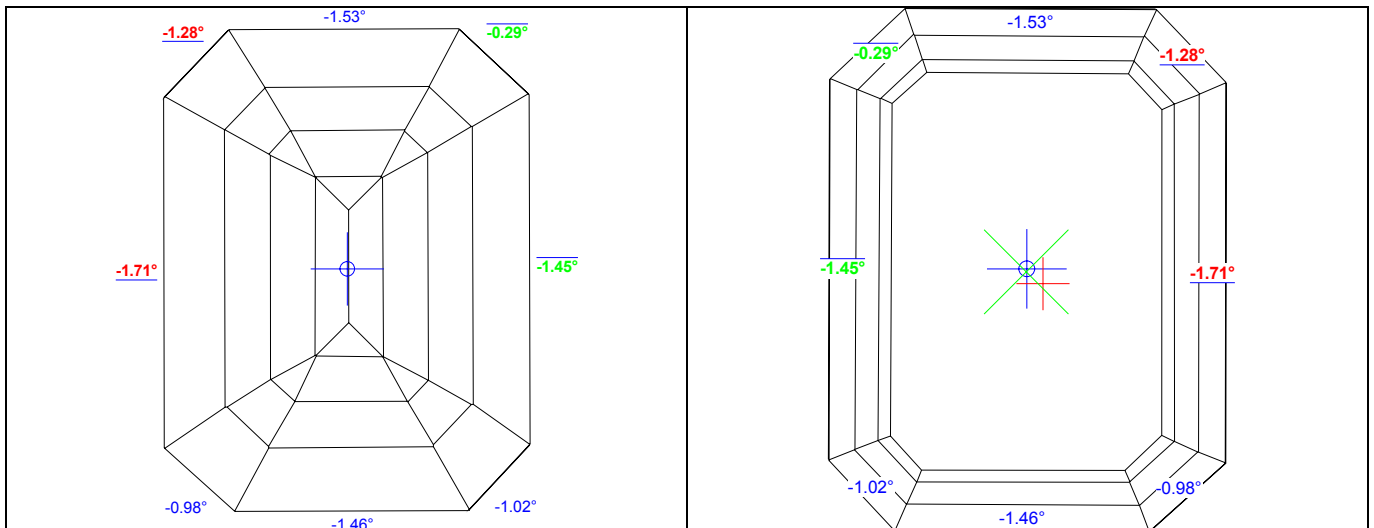


Pavilion and crown views of the diamond with indication of deviation of facets' azimuth angles from their ideal positions for the emerald.

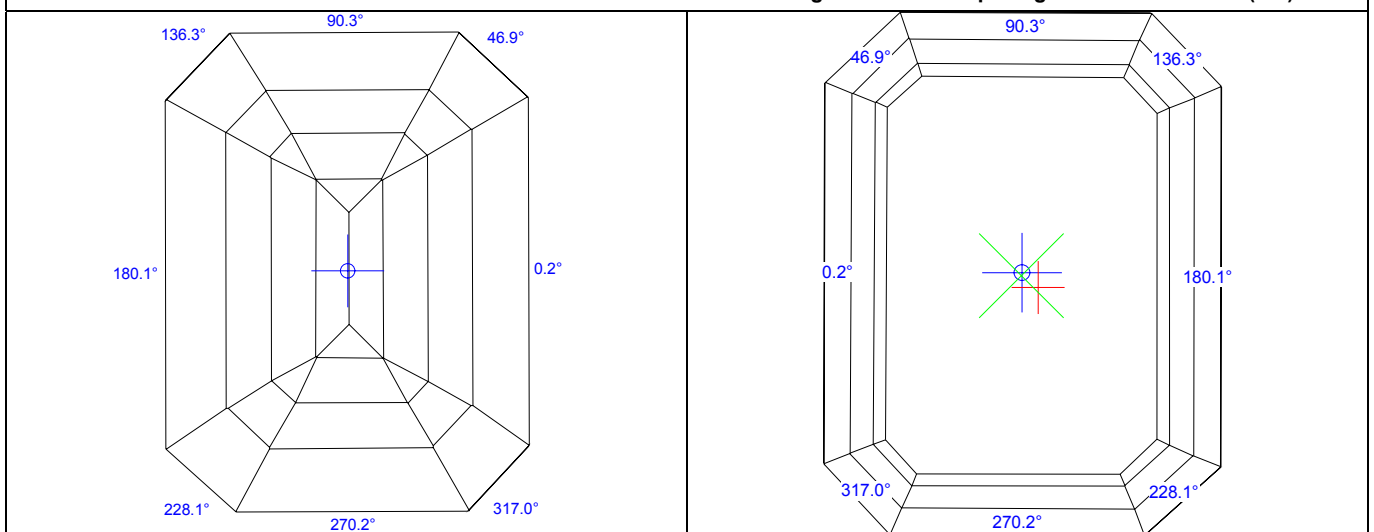
### Girdle facets' slope and azimuth angles



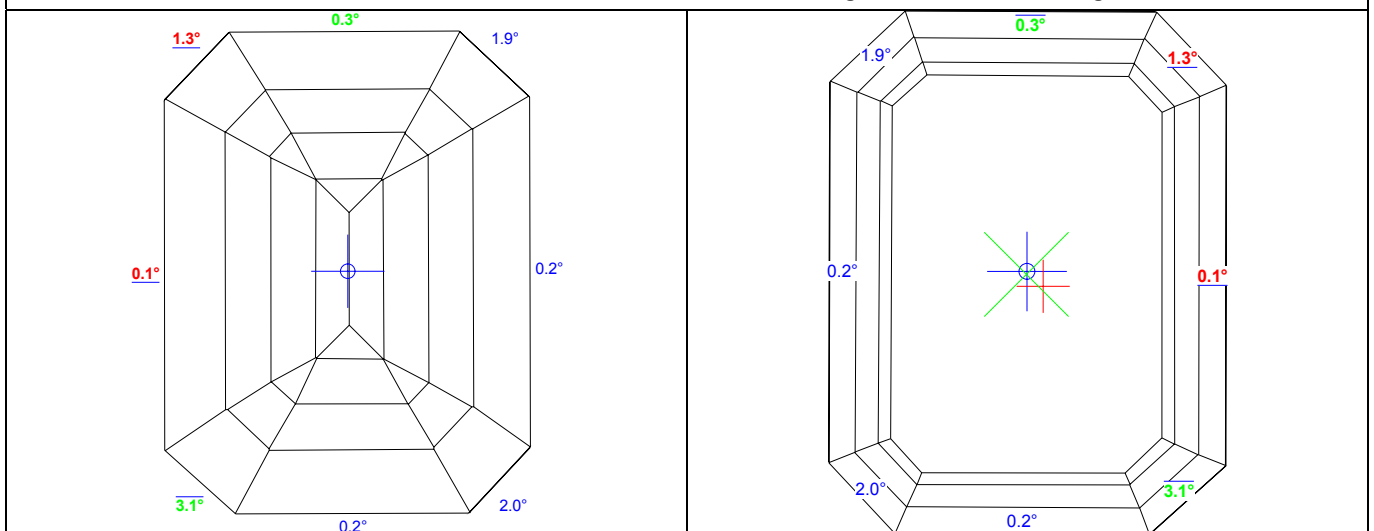
Pavilion and crown views of the diamond with indication of girdle facets' slope angles



**Pavilion and crown views of the diamond with indication of deviation of girdle facets' slope angles from there ideal (90°)**



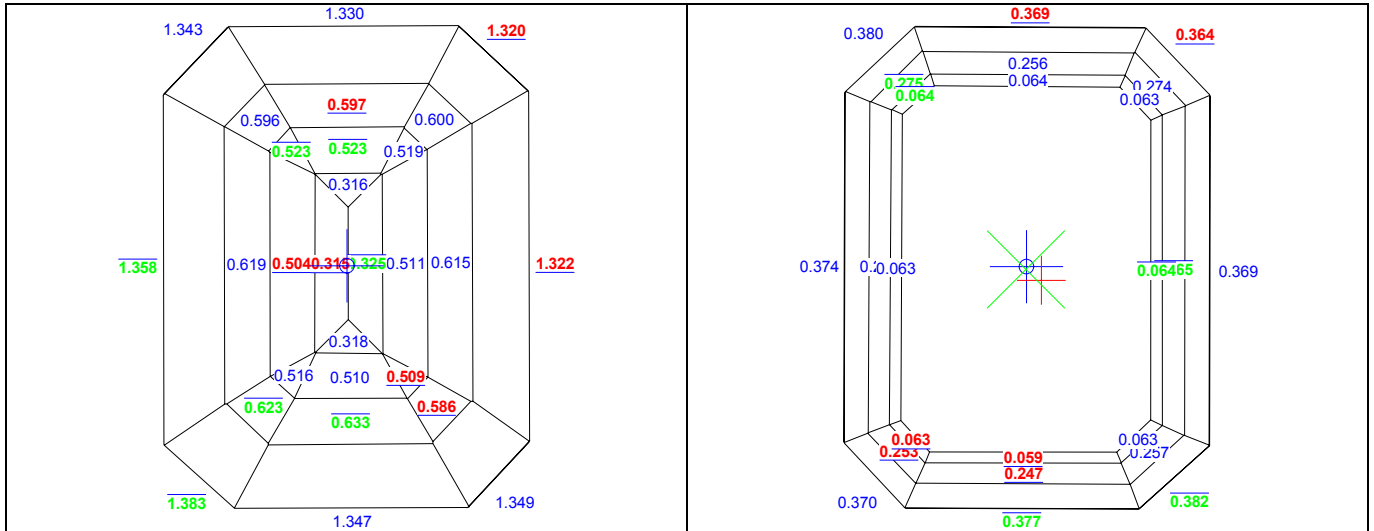
**Pavilion and crown views of the diamond with indication of girdle facets' azimuth angles**



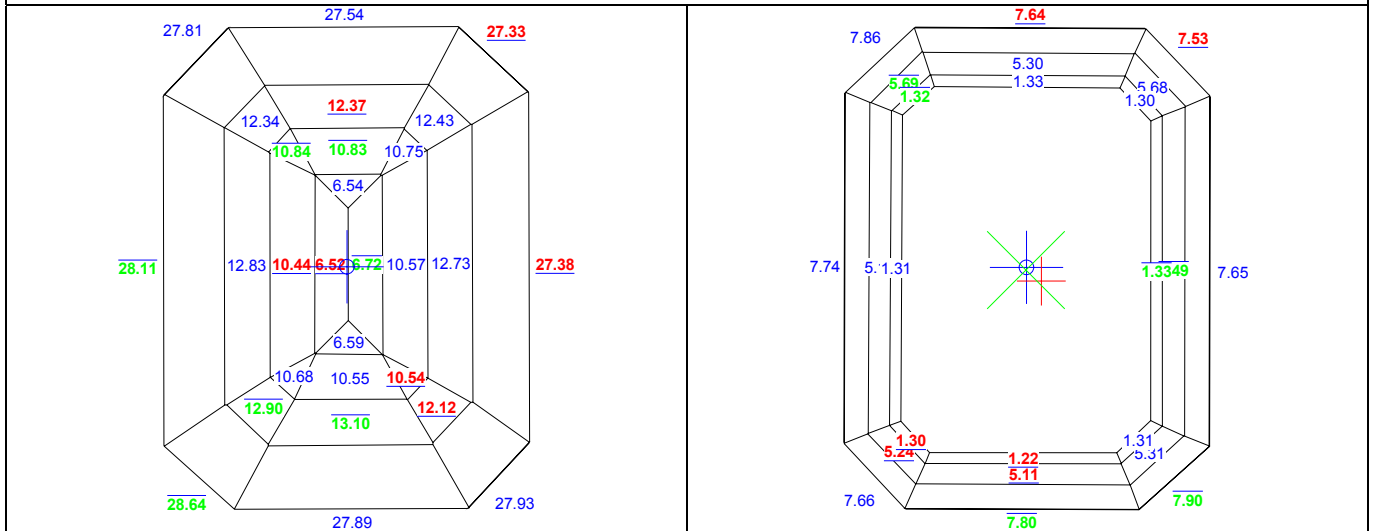
**Pavilion and crown views of the diamond with indication of deviation of girdle facets' azimuth angles**



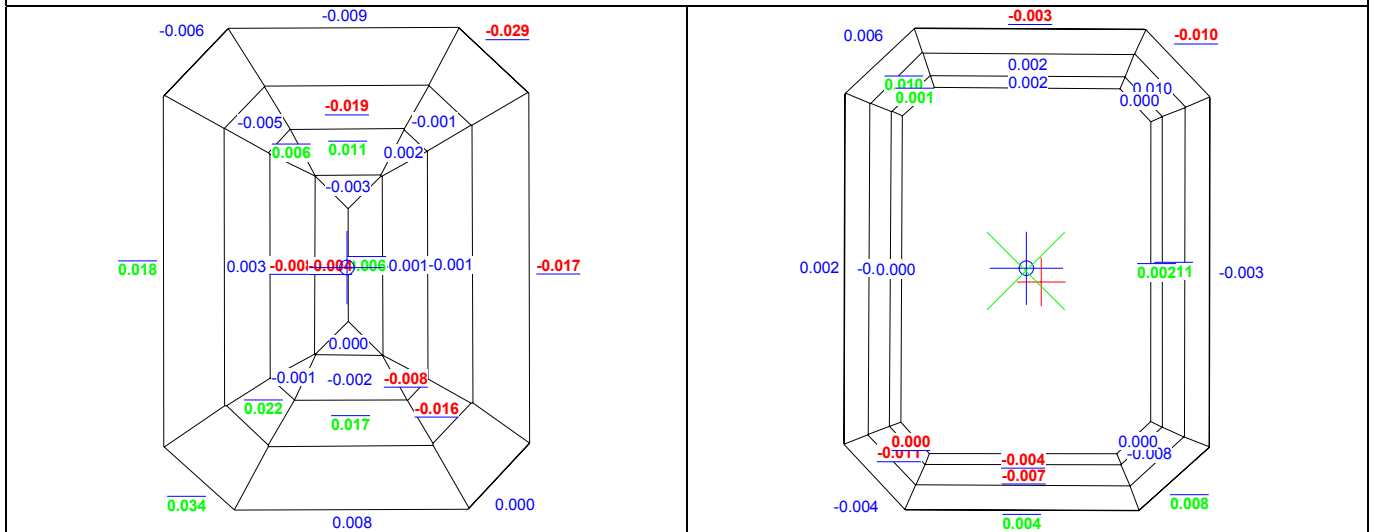
# Facets' heights



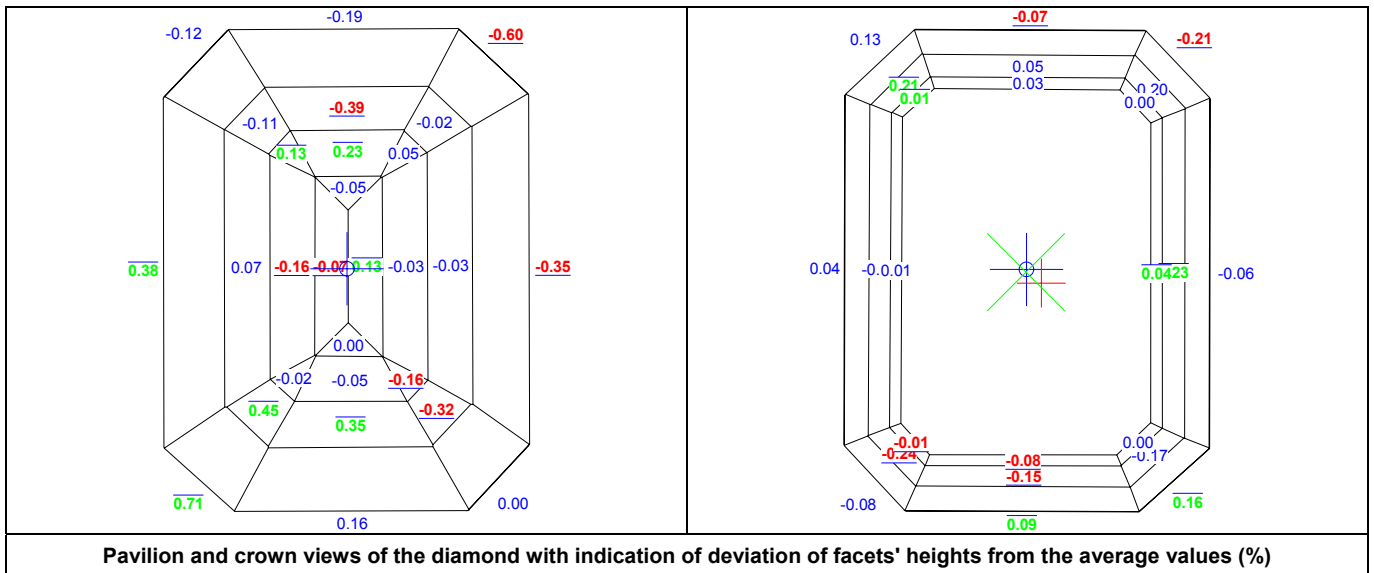
Pavilion and crown views of the diamond with indication of facets' heights (mm)



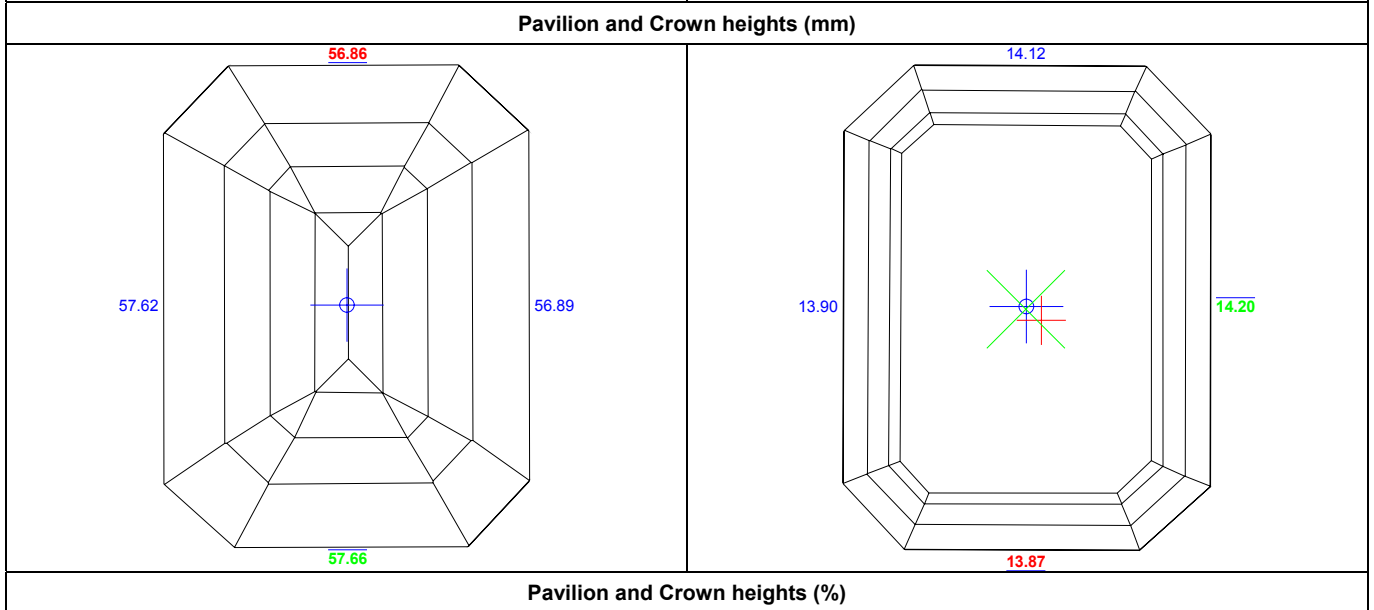
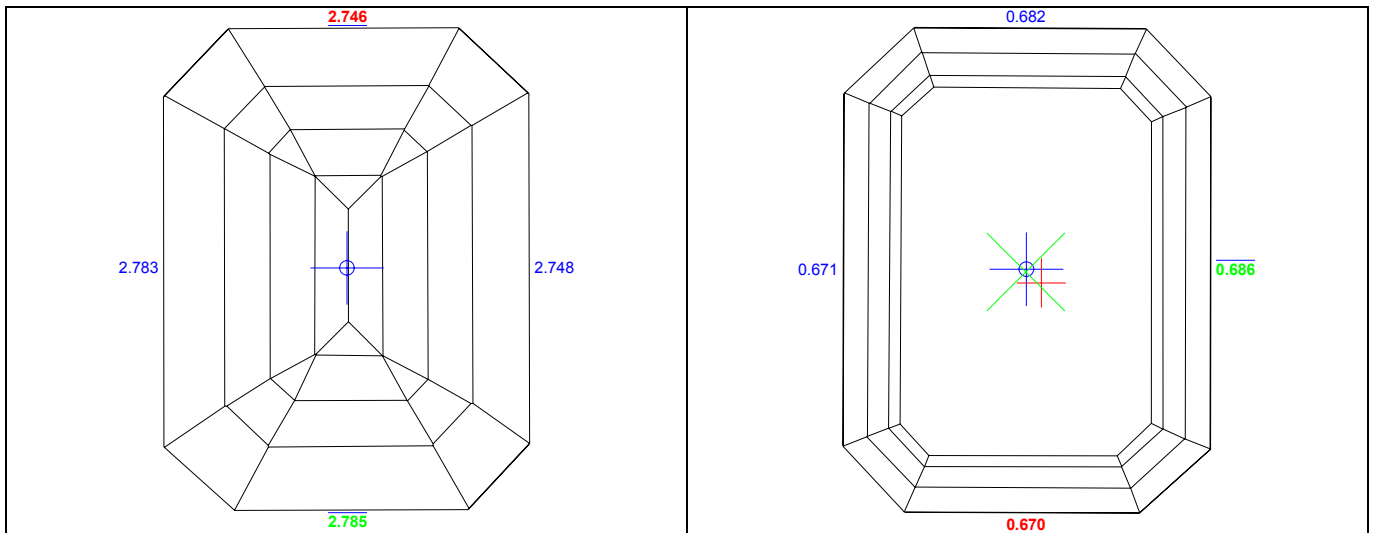
Pavilion and crown views of the diamond with indication of facets' heights (%)

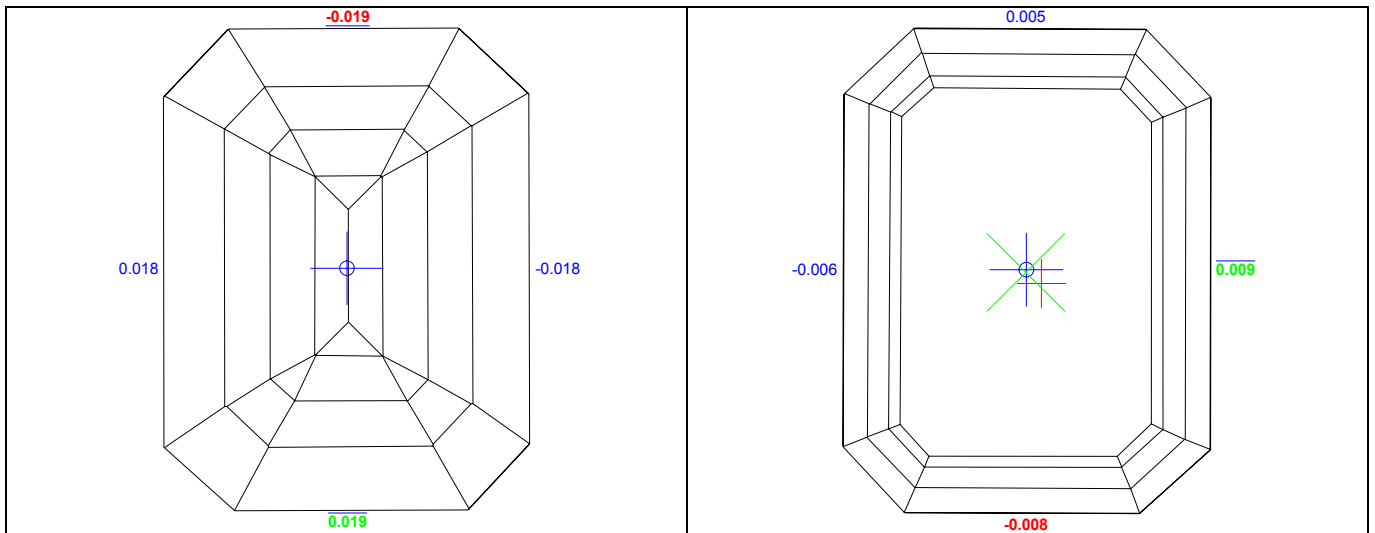


Pavilion and crown views of the diamond with indication of deviation of facets' heights from the average values (mm)

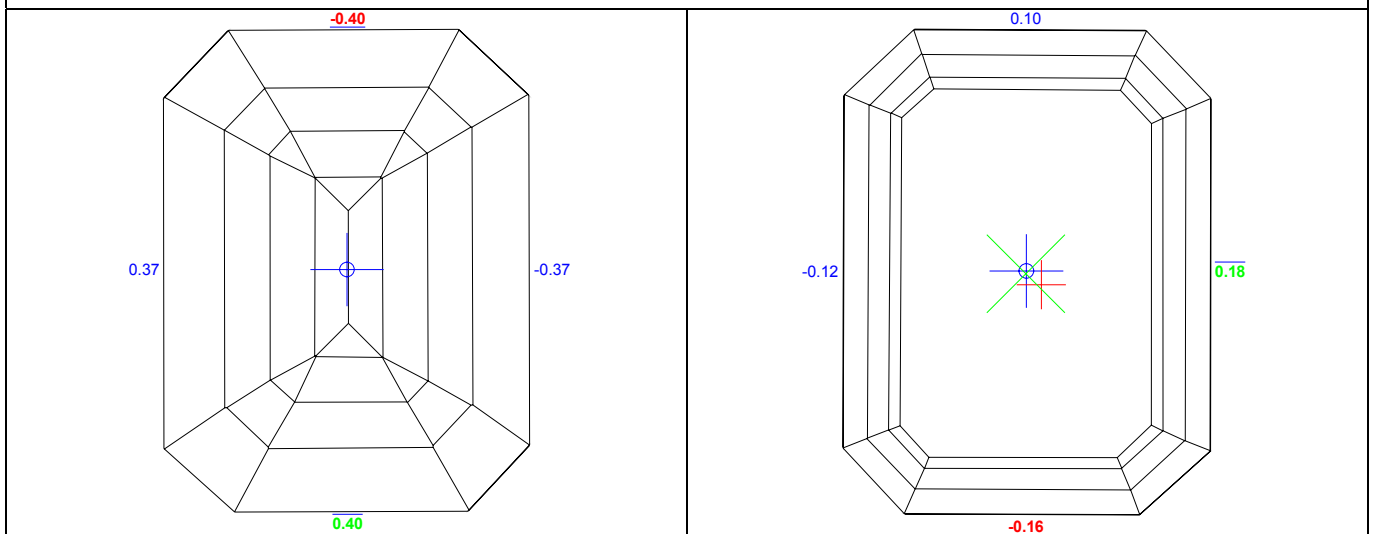


### Pavilion and Crown heights



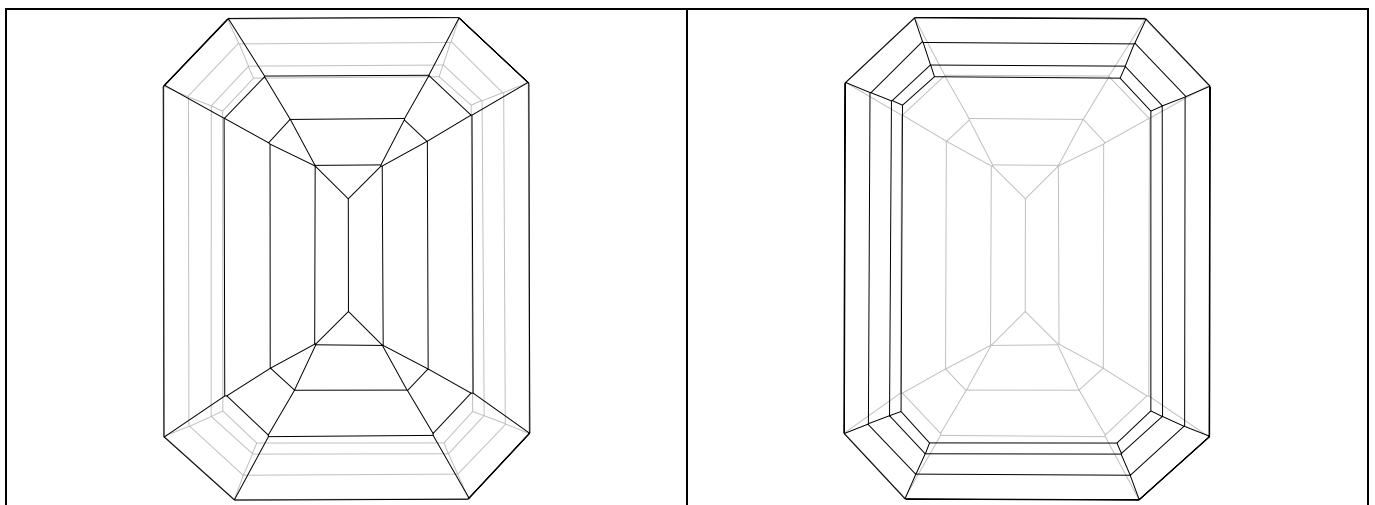


Deviations of Pavilion and Crown heights from the average values (mm)



Deviations of Pavilion and Crown heights from the average values (%)

### Additional Illustrations



Pavilion and crown views of the diamond with indication of invisible edges without refraction

	Girdle center		Culet center		Table center
---	---------------	---	--------------	---	--------------