

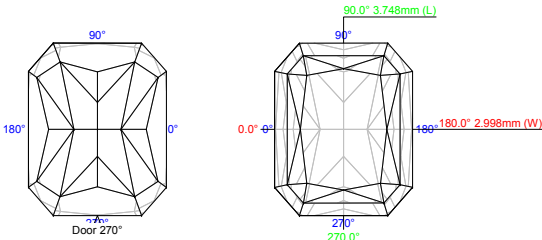
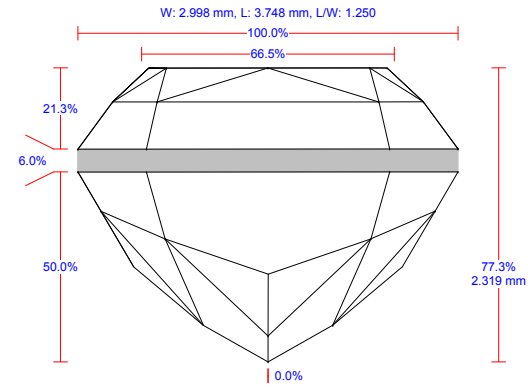
ILLUSTRATED REPORT FOR ANY CUT

Unknown N/A

Model N/A
 Expert name N/A
 Real weight, ct N/A
 Calculated weight, ct 0.24, 0.2417
 Spread -0.06 ct, -31.15 %
 Extra Facet / Nat No

Width	Length	Ratio (L/W)	Diameter Minimum	Diameter Maximum	Girdle Ratio
2.998 mm	3.748 mm	1.250	2.998 mm	4.210 mm	1.250

Total height	Crown height	Pav. depth	Girdle	
			Bezel	Valley
2.319 mm 77.33 %	0.639 mm	1.499 mm	0.180 mm	0.180 mm

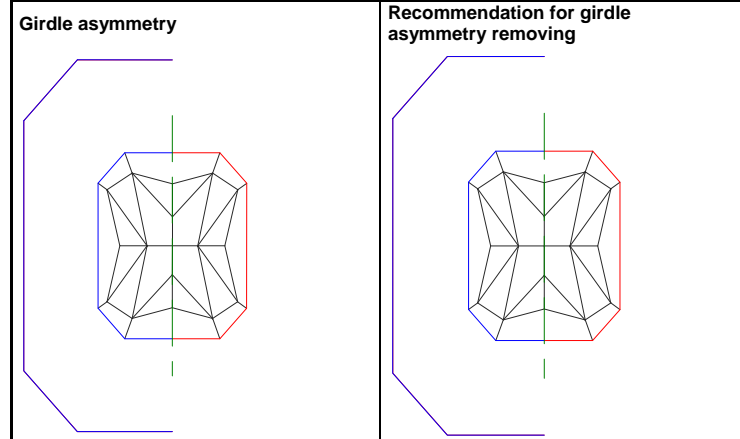
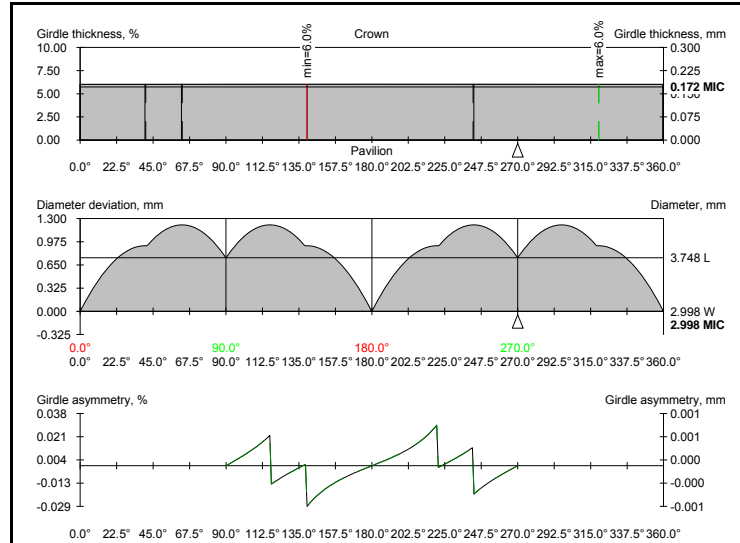


Appraiser title
 Overall cut quality
 Symmetry appraiser title
 Overall symmetry quality

GIA_PCTG_StarCul
 N/A
 Internal
 PR

Color	
Clarity	
Polish	
Fluorescence	

Parameter	Avg	Min	Max	Dev
Diameter, mm		2.998	4.210	40.40 %
Crown height, %	21.32	21.32	21.33	0.01
Crown height, mm	0.639	0.639	0.640	0.000
Pavilion depth, %	49.99	49.98	50.00	0.02
Pavilion depth, mm	1.499	1.499	1.499	0.001
Girdle Bezel, %	6.02	6.01	6.02	0.01
Girdle Bezel, mm	0.180	0.180	0.180	0.000
Girdle Valley, %	6.01	6.01	6.02	0.01
Girdle Valley, mm	0.180	0.180	0.180	0.000
Table, %		62.70	70.29	7.60
Table, mm		1.880	2.634	0.755
Culet, %		0.00	0.00	0.00
Culet, mm		0.000	0.000	0.000



Girdle-Culet offset by table axis	0.01 ± 0.38, %	0.000 ± 0.011, mm
Girdle-Table offset by table axis	0.01 ± 0.35, %	0.000 ± 0.011, mm
Table-Culet offset by table axis	0.02 ± 0.40, %	0.001 ± 0.012, mm

